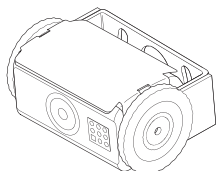


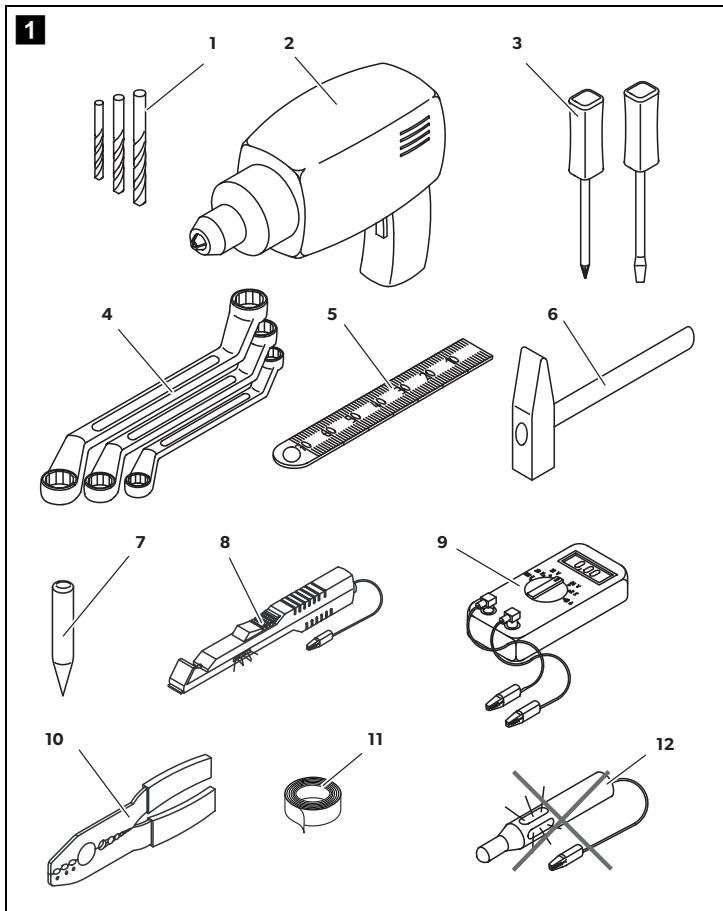
# DRIVING SUPPORT PERFECTVIEW

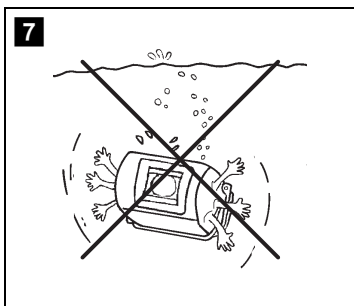
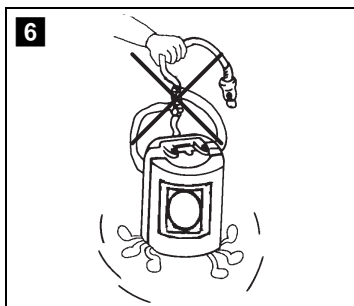
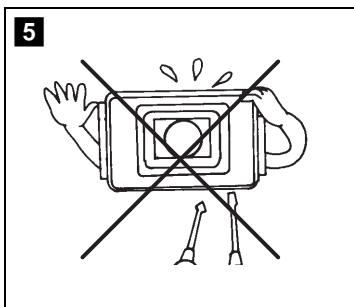
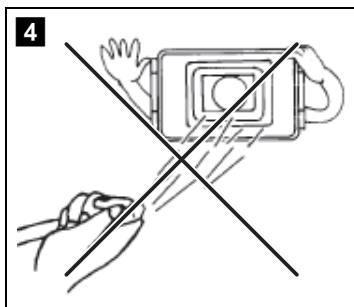
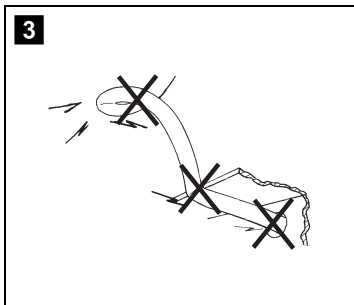
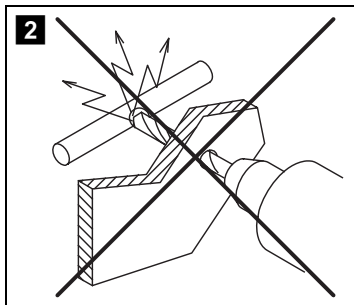


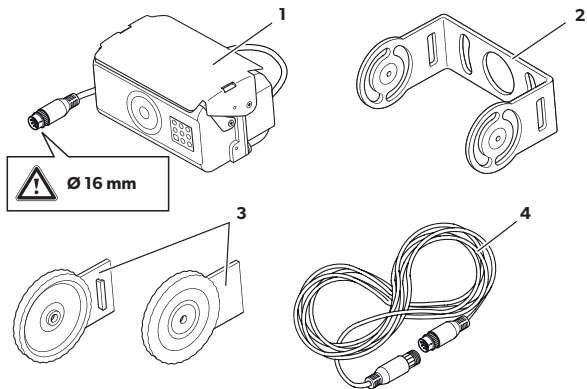
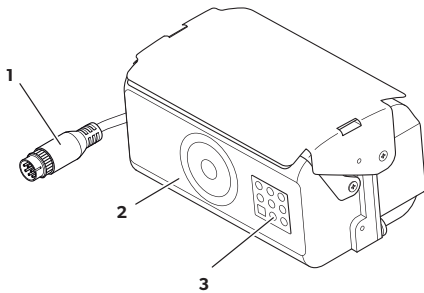
## CAM80CM

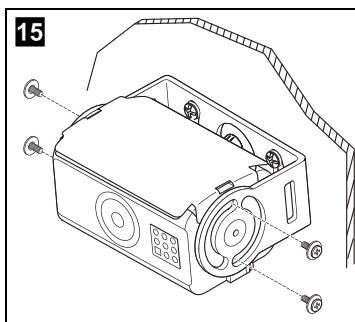
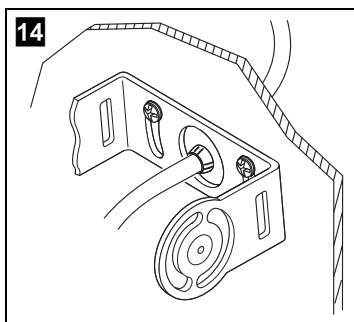
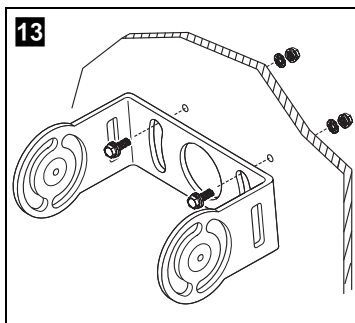
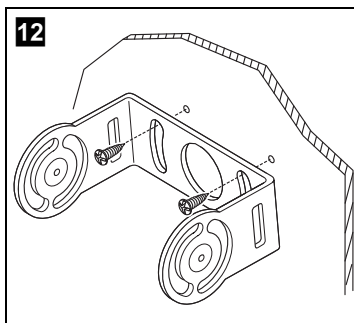
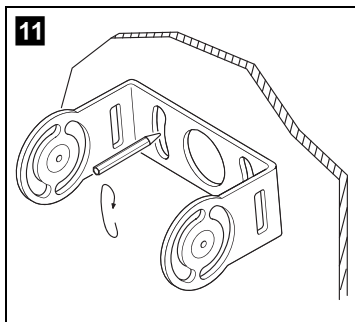
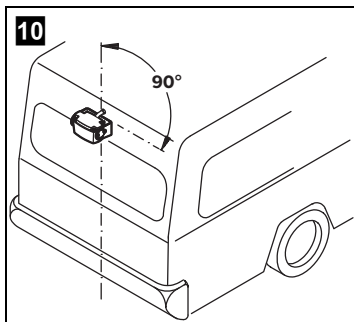
EN	<b>Rear View Video Camera</b> Installation and Operating Manual . . . . . 9	FI	<b>Peruutusvideokamera</b> Asennus- ja käyttöohje . . . . . 126
DE	<b>Rückfahrvideokamera</b> Montage- und Bedienungsanleitung . . . 21	RU	<b>Видеокамера заднего вида</b> Инструкция по монтажу и эксплуатации . . . . . 137
FR	<b>Caméra vidéo de recul</b> Instructions de montage et de service . . . . . 33	PL	<b>Kamera cofania</b> Instrukcja montażu i obsługi . . . . . 149
ES	<b>Cámara de vídeo de marcha atrás</b> Instrucciones de montaje y de uso . . . . 45	SK	<b>Cúvacia kamera</b> Návod na montáž a uvedenie do prevádzky . . . . . 161
PT	<b>Câmara de marcha-atrás</b> Instruções de montagem e manual de instruções . . . . . 57	CS	<b>Couvací kamera</b> Návod k montáži a obsluze . . . . . 172
IT	<b>Videocamera per la retromarcia</b> Istruzioni di montaggio e d'uso . . . . . 69	HU	<b>Tolatókamera</b> Szerelési és használati útmutató . . . . . 183
NL	<b>Achteruitrijvideocamera</b> Montagehandleiding en gebruiksaanwijzing . . . . . 81		
DA	<b>Bakvideokamera</b> Monterings- og betjeningsvejledning . . 93		
SV	<b>Backningsvideokamera</b> Monterings- och bruksanvisning . . . . . 104		
NO	<b>Ryggevideokamera</b> Monterings- og bruksanvisning . . . . . 115		



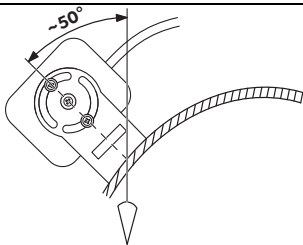




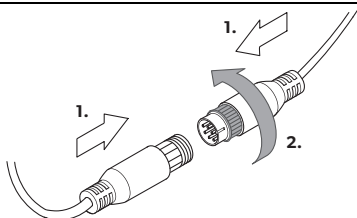
**8****9**



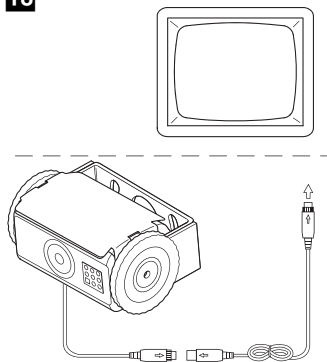
16



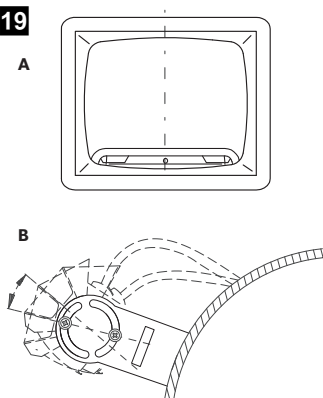
17



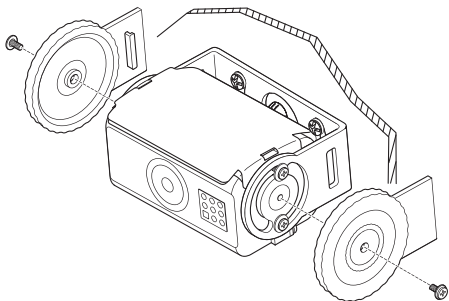
18



19



20





**Please read this instruction manual carefully before installation and first use, and store it in a safe place. If you pass on the product to another person, hand over this instruction manual along with it.**

## Contents

1	Explanation of symbols . . . . .	9
2	Safety and installation instructions . . . . .	10
3	Scope of delivery . . . . .	12
4	Accessories . . . . .	12
5	Intended use . . . . .	13
6	Technical description . . . . .	13
7	Information on the electrical connections . . . . .	14
8	Mounting the camera . . . . .	15
9	Cleaning and caring for the camera . . . . .	19
10	Guarantee . . . . .	19
11	Disposal . . . . .	19
12	Technical data . . . . .	20

## 1 Explanation of symbols



### **WARNING!**

**Safety instruction:** Failure to observe this instruction can cause fatal or serious injury.



### **CAUTION!**

**Safety instruction:** Failure to observe this instruction can lead to injury.



### **NOTICE!**

Failure to observe this instruction can cause material damage and impair the function of the product.



### **NOTE**

Supplementary information for operating the product.

## 2 Safety and installation instructions

The manufacturer accepts no liability for damage in the following cases:

- Faulty assembly or connection
- Damage to the product resulting from mechanical influences and excess voltage
- Alterations to the product without express permission from the manufacturer
- Use for purposes other than those described in the operating manual

**Please observe the prescribed safety instructions and stipulations from the vehicle manufacturer and service workshops.**



### WARNING!

Inadequate supply cable connections could result in short circuits, which could have as a consequence that:

- Cable fires occur
- The airbag is triggered
- Electronic control devices are damaged
- Electric functions fail (indicators, brake light, horn, ignition, lights)



### NOTICE!

To prevent the risk of short circuits, always disconnect the negative terminal of the vehicle's electrical system before working on it.

If the vehicle has an additional battery, its negative terminal should also be disconnected.

Please observe the following instructions:

- When working on the following cables, only use insulated cable lugs, plugs and flat push-on receptacles:
  - 30 (direct supply from positive battery terminal)
  - 15 (connected positive terminal, behind the battery)
  - 31 (return line from the battery, earth)
  - L (indicator lights left)
  - R (indicator lights right)

Do **not** use terminal strips.

- Use a crimping tool to connect the cables.
- When connecting to cable 31 (earth), screw the cable
  - to the vehicle's earth bolt with a cable lug and a gear disc or
  - to the sheet-metal bodywork with a cable lug and a self-tapping screw.

Ensure that there is a good earth connection.

If you disconnect the negative terminal of the battery, all data stored in the volatile memories will be lost.

- The following data must be set again, depending on the vehicle equipment options:
  - Radio code
  - Vehicle clock
  - Timer
  - On-board computer
  - Seat position

You can find instructions for making these settings in the appropriate operating instructions.

Observe the following installation instructions:



### CAUTION!

- Secure the parts installed in the vehicle in such a way that they cannot become loose under any circumstances (sudden braking, accidents) and cause **injuries to the occupants** of the vehicle.
- Secure any parts of the system covered by the bodywork in such a manner that they cannot be come loose or damage other parts and cables or impair vehicle functions (steering, pedals, etc).
- Always follow the safety instructions of the vehicle manufacturer.  
Some work (e.g. on retention systems such as the AIRBAG etc.) may only be performed by qualified specialists.



### NOTICE!

- To prevent damage when drilling, make sure there is sufficient space on the other side for the drill head to come out.
- Deburr all drill holes and treat them with a rust-protection agent.

Observe the following instructions when working with electrical parts:



### NOTICE!

- When testing the voltage in electrical cables, only use a diode test lamp or a voltmeter.  
Test lamps with an illuminant take up voltages which are too high and which can damage the vehicle's electronic system.
- When making electrical connections, ensure that:
  - they are not kinked or twisted
  - they do not rub on edges
  - they are not laid in sharp edged ducts without protection.
- Insulate all connections.
- Secure the cables against mechanical wear with cable binders or insulating tape, for example to existing cables.

The camera is watertight. However, the sealings on the camera cannot withstand a high-pressure cleaner (fig. 4, page 4). Therefore, you should observe the following instructions when handling the camera:

- Do not open the camera, as this impairs the sealing and the function of the camera (fig. 5, page 4).
- Do not pull at the cables, as this impairs the sealing and the function of the camera (fig. 6, page 4).
- The camera is not suitable for submerged operation (fig. 7, page 4).

### 3 Scope of delivery

No. in fig. 8, page 5	Quantity	Description	Ref. no.
1	1	Colour camera CAM80CM	9600000049 (PAL)/ 9600000198 (NTSC)
2	1	Camera bracket	9102200073
3	2	Side covers	
4	1	Extension cable	9102200030
-	1	Fastening material	

### 4 Accessories

Available as accessory (not included in scope of delivery):

Description	Ref. no.
Extension cable 5 m	91022000028
Extension cable 8 m	91022000029
Extension cable 20 m	91022000030
Spiral cable for trailer operation	91022000031

## 5 Intended use

The CAM80CM colour camera is designed primarily for use in vehicles. It can be used in video systems to observe the space around the vehicle from the driver's seat when manoeuvring or parking, for example.



### **WARNING!**

Risk of injury!

Since rear view systems are designed merely as an additional aid for reversing, it does **not relieve you of the duty to take proper care when reversing.**

## 6 Technical description

The camera, which is encased in aluminium housing, transmits image and sound to a monitor via a cable. The built-in infrared LEDs improve night vision.

The camera transmits the image as if you are looking in the rear mirror.

The camera consists of the following main elements:

No. in fig. 9, page 5	Description
1	6-pin connection cable
2	Microphone
3	Infrared LEDs

## 7 Information on the electrical connections

### 7.1 Laying cables



#### **NOTICE! Risk of damage!**

- To prevent damage, when drilling ensure that there is sufficient space on the other side for the drill head to come out.
- Cables and connections which are not properly installed will cause malfunctions or damage to components. Correct installation of cables and connections is the basic prerequisite for lasting and trouble-free operation of the retrofitted components.
- The cables may not be exposed for long periods to solvents such as benzine, as the solvents can damage the cable.

Please observe the following instructions:

- As far as possible, use original openings or alternative openings for the connecting cable duct, e.g. the paneling edges, ventilation grilles or blank panels. If no openings are available, you must drill holes for the cables. Check beforehand that there is sufficient room for the drill head to come out on the other side.
- Wherever possible lay cables inside the vehicle, as they are better protected inside than outside the vehicle.  
If you do need to lay a cable outside the vehicle, ensure that it is well secured (use additional cable ties, insulating tape, etc.).
- To prevent damage to the cables, when laying them ensure that there is sufficient distance to hot or moving vehicle components (exhaust pipes, drive shafts, light systems, fans, heater etc.). Use corrugated piping or other protective materials to protect against mechanical wear.
- Screw on the plug connection of the connecting cables to protect against water penetration (fig. **17**, page 7).
- When laying electric connections, ensure that
  - They are not kinked or twisted
  - They do not rub on edges
  - They are not laid in sharp edged ducts without protection (fig. **3**, page 4)
- Attach the cables securely in the vehicles to prevent tripping hazards. Use cable binders, insulating tape or glue the cables in place.
- Protect every through-hole made in the bodywork against water penetration, e.g. by using a cable with a sealant and by spraying the cable and the the cable sleeve with sealant.



#### **NOTE**

Do not start sealing the through-holes until all installation work has been finished for the camera, and the required cable lengths have been established.

## 8 Mounting the camera

### 8.1 Tools required

For **installation and assembly** you will require the following tools:

- Drill bit set (fig. **1** 1, page 3)
- Drill (fig. **1** 2, page 3)
- Screwdriver (fig. **1** 3, page 3)
- Set of ring or open-ended spanners (fig. **1** 4, page 3)
- Measuring ruler (fig. **1** 5, page 3)
- Hammer (fig. **1** 6, page 3)
- Centre punch (fig. **1** 7, page 3)

To make and test the **electrical connection**, the following tools are required:

- Diode test lamp (fig. **1** 8, page 3) or voltmeter (fig. **1** 9, page 3)
- Crimping tool (fig. **1** 10, page 3)
- Insulating tape (fig. **1** 11, page 3)
- Cable bushing sleeves, if necessary

To **fasten the cables** you may require additional cable binders.

### 8.2 Mounting the camera



#### CAUTION!

Select a location for the camera and attach it so securely that it cannot under any circumstances fall off and injure bystanders (e.g. by being knocked off by branches brushing over the roof of the vehicle).



#### NOTE

If installing the camera alters the vehicle height or length specified in the vehicle documents, your vehicle must be inspected by the appropriate authorities. Make sure that you are in possession of documents verifying that your vehicle has passed this inspection.

Observe the following installation instructions:

- To provide a suitable viewing angle, the camera must be attached at a height of at least 2 m. Ensure that you have a firm place from which to work when mounting the camera.
- Ensure that the installation location of the camera is sufficiently firm (e.g. to prevent the camera from being knocked down by branches that may brush over the roof of the vehicle).

- Mount the camera bracket horizontally and in the middle of the rear of the vehicle (fig. **10**, page 6).
- The most secure type of attachment is with screws fitted through the body. Please observe the following instructions:
  - There must be sufficient space for the mounting procedure behind the chosen installation location.
  - Suitable measures must be taken to prevent water penetrating through any holes made (e.g. by using screws and sealant and/or spraying the outer attachment parts with a sealant).
  - The location on the body where you wish to attach the camera must be rigid enough to allow the camera to be tightly fastened.
- Check beforehand that there is sufficient room for the drill head to come out on the other side (fig. **2**, page 4).
- If you are not sure about the location you have chosen, consult the vehicle manufacturer or dealer.

**NOTE**

We recommend greasing the threads of the bolts to prevent corrosion.

When mounting the camera, proceed as follows:

- Hold the camera on the chosen location and mark at least two different points for the drill holes (fig. **11**, page 6).
- Using a hammer and centre punch, gently pre-punch the previously marked points to prevent the drill head from slipping off.

**If you want to screw on the camera with self-tapping screws (fig. **12**, page 6)****NOTICE! Risk of damage!**

The holder may only be attached to steel panels with a minimum thickness of 1.5 mm using self-tapping screws.

- Drill  $\varnothing$  4 mm holes at the points you have just marked.
- Deburr all drill holes and apply rust-protection.
- Screw the camera bracket on with the 5 x 20 mm self-tapping screws.



## If you would like to attach the camera with threaded screws fitted through the construction (fig. 13, page 6)



### NOTICE! Risk of damage!

Ensure that that nuts cannot be pulled through the body shell when they are tightened. Use larger washers or metal plates if necessary.

- Drill  $\varnothing$  4.5 mm holes at the points you have just marked.
- Deburr all drill holes and apply rust-protection.
- Screw the camera bracket on with the M5 x 20 mm threaded screws.  
Depending on the thickness of the construction, you may require longer threaded screws.

## Creating a through-hole for the camera connection cable (fig. 14, page 6)



### NOTE

If possible, use available openings – such as ventilation grilles – to feed the connection cables through. If there are no existing openings, you must drill a hole with a 16 mm diameter.



### NOTICE! Risk of damage!

Ensure that there is sufficient space on the other side for the drill head to come out

- Drill a hole of  $\varnothing$  16 mm near the camera.
- Deburr all drill holes that have been made in the sheet metal and apply rust-protection.
- Place cable sleeves in all sharp edged ducts.

## Mounting the camera



### NOTICE! Risk of damage!

Only use the screws supplied to mount the camera in the camera bracket. Longer screws will damage the camera.

- Push the camera into the camera bracket.
- Attach the camera **loosely** with the two screws M3 x 8 mm in the slots (fig. 15, page 6).
- Align the camera provisorily so that the lens is at an angle of approx.  $50^\circ$  to the perpendicular axis of the vehicle (fig. 16, page 7).



### NOTICE! Risk of damage!

Never mount the camera without the camera guard.

## Connecting the camera



### NOTE

- Lay the camera cable so that should you need to remove the camera, you can access the plug connection between the camera and the extension cable easily. This considerably eases dismantling work.
- To minimise corrosion in the plug, apply a small amount of grease – such as pin grease – inside the plug.
- Additional extension cables are available on request (see chapter “Accessories” on page 12).

- Guide the camera cable into the vehicle interior.
- Insert the plug of the camera cable into the socket of the extension cable.
- Screw on the plug connection of the connecting cables to protect against water penetration (fig. 17, page 7).

## Aligning the camera



### NOTE

If necessary before aligning the camera connect the camera to a monitor and to a power supply (see connecting diagram, fig. 18, page 7)

- Use the monitor image to align the camera:  
The monitor image should show the bottom edge of the rear or the bumper of your vehicle (A). The middle of the bumper should be in the middle of the screen (fig. 19, page 7).
- Check the function of the camera after you have connected it to a monitor.

## Fastening the camera

- Tighten the two screws in the slots of the **camera bracket**.
- Mount the side covers with the two screws M3 x 8 mm in the middle drill holes (fig. 20, page 8).

## 9 Cleaning and caring for the camera



### **NOTICE! Risk of damage!**

Do not use sharp or hard objects to clean the device as these may damage the device.

- ▶ Clean the camera with a soft, damp cloth from time to time.

## 10 Guarantee

The statutory warranty period applies. If the product is defective, please contact the manufacturer's branch in your country (see the back of the instruction manual for the addresses) or your retailer.

For repair and guarantee processing, please send the following items:

- Defect components
- A copy of the receipt with purchasing date
- A reason for the claim or description of the fault

## 11 Disposal

- ▶ Place the packaging material in the appropriate recycling waste bins wherever possible.



If you wish to finally dispose of the product, ask your local recycling centre or specialist dealer for details about how to do this in accordance with the applicable disposal regulations.

## 12 Technical data

	<b>PerfectView CAM 80CM</b>	
Ref. no:	9600000049	9600000198
Image sensor:	1/3" CCD	
Pixels:	approx. 270000 pixels	
Video standard:	PAL, 1 Vpp	NTSC, 1 Vpp
Light sensitivity:	< 1 Lux	
Picture angle:	approx. 145° diagonal approx. 100° horizontal approx. 72° vertical	
Operating voltage:	11 – 16 V $\overline{=}$	
Power consumption:	1.8 W	
Operating temperature:	-20 °C to +65 °C	
Protection class:	IP68	
Resistance against vibration:	6g	
Dimensions W x H x D (with camera bracket):	106 x 68 x 54 mm	
Weight:	approx. 0.35 kg	

### Approval

The device has the E13 approval.



**Bitte lesen Sie diese Anleitung vor Einbau und Inbetriebnahme sorgfältig durch und bewahren Sie sie auf. Geben Sie sie im Falle einer Weitergabe des Produktes an den Nutzer weiter.**

## Inhaltsverzeichnis

1	Erklärung der Symbole . . . . .	21
2	Sicherheits- und Einbauhinweise . . . . .	22
3	Lieferumfang . . . . .	24
4	Zubehör . . . . .	24
5	Bestimmungsgemäßer Gebrauch . . . . .	25
6	Technische Beschreibung . . . . .	25
7	Hinweise zum elektrischen Anschluss . . . . .	26
8	Kamera montieren . . . . .	27
9	Kamera pflegen und reinigen. . . . .	31
10	Gewährleistung . . . . .	31
11	Entsorgung . . . . .	31
12	Technische Daten . . . . .	32

## 1 Erklärung der Symbole



### **WARNUNG!**

**Sicherheitshinweis:** Nichtbeachtung kann zu Tod oder schwerer Verletzung führen.



### **VORSICHT!**

**Sicherheitshinweis:** Nichtbeachtung kann zu Verletzungen führen.



### **ACHTUNG!**

Nichtbeachtung kann zu Materialschäden führen und die Funktion des Produktes beeinträchtigen.



### **HINWEIS**

Ergänzende Informationen zur Bedienung des Produktes.

## 2 Sicherheits- und Einbauhinweise

Der Hersteller übernimmt in folgenden Fällen keine Haftung für Schäden:

- Montage- oder Anschlussfehler
- Beschädigungen am Produkt durch mechanische Einflüsse und Überspannungen
- Veränderungen am Produkt ohne ausdrückliche Genehmigung vom Hersteller
- Verwendung für andere als die in der Anleitung beschriebenen Zwecke

### Beachten Sie die vom Fahrzeughersteller und vom Kfz-Handwerk vorgeschriebenen Sicherheitshinweise und Auflagen!



#### WARNUNG!

Unzureichende Leitungsverbindungen können zur Folge haben, dass durch Kurzschluss

- Kabelbrände entstehen,
- der Airbag ausgelöst wird,
- elektronische Steuerungseinrichtungen beschädigt werden,
- elektrische Funktionen ausfallen (Blinker, Bremslicht, Hupe, Zündung, Licht).



#### ACHTUNG!

Klemmen Sie wegen der Kurzschlussgefahr vor Arbeiten an der Fahrzeugelektrik immer den Minuspol ab.

Bei Fahrzeugen mit Zusatzbatterie müssen Sie an dieser ebenfalls den Minuspol abklemmen.

Beachten Sie deshalb folgende Hinweise:

- Verwenden Sie bei Arbeiten an den folgenden Leitungen nur isolierte Kabelschuhe, Stecker und Flachsteckhülsen:
  - 30 (Eingang von Batterie Plus direkt)
  - 15 (Geschaltetes Plus, hinter Batterie)
  - 31 (Rückleitung ab Batterie, Masse)
  - L (Blinkerleuchten links)
  - R (Blinkerleuchten rechts)

Verwenden Sie **keine** Lüsterklemmen.

- Verwenden Sie eine Krimpzange zum Verbinden der Kabel.
- Schrauben Sie das Kabel bei Anschlüssen an Leitung 31 (Masse)
  - mit Kabelschuh und Zahnscheibe an eine fahrzeugeigene Masseschraube oder
  - mit Kabelschuh und Blechschraube an das Karosserieblech.

Achten Sie auf eine gute Masseübertragung!

Beim Abklemmen des Minuspol der Batterie verlieren alle flüchtige Speicher der Komfortelektronik ihre gespeicherten Daten.

- Folgende Daten müssen Sie je nach Fahrzeugausstattung neu einstellen:
  - Radiocode
  - Fahrzeuguhr
  - Zeitschaltuhr
  - Bordcomputer
  - Sitzposition

Hinweise zur Einstellung finden Sie in der jeweiligen Bedienungsanleitung.

Beachten Sie folgende Hinweise bei der Montage:



### VORSICHT!

- Befestigen Sie die im Fahrzeug montierten Teile so, dass sie sich unter keinen Umständen (scharfes Abbremsen, Verkehrsunfall) lösen und zu **Verletzungen der Fahrzeuginsassen** führen können.
- Befestigen Sie verdeckt unter Verkleidungen anzubringende Teile des Systems so, dass sie sich nicht lösen oder andere Teile und Leitungen beschädigen und keine Fahrzeugfunktionen (Lenkung, Pedale usw.) beeinträchtigen können.
- Beachten Sie immer die Sicherheitshinweise des Fahrzeugherstellers. Einige Arbeiten (z. B. an Rückhaltesystemen wie Airbag usw.) dürfen nur von geschultem Fachpersonal durchgeführt werden.



### ACHTUNG!

- Achten Sie beim Bohren auf ausreichenden Freiraum für den Bohreraustritt, um Schäden zu vermeiden.
- Entgraten Sie jede Bohrung und behandeln Sie diese mit Rostschutzmittel.

Beachten Sie folgende Hinweise bei der Arbeit an elektrischen Teilen:



### ACHTUNG!

- Benutzen Sie zum Prüfen der Spannung in elektrischen Leitungen nur eine Diodenprüflampe oder ein Voltmeter. Prüflampen mit einem Leuchtkörper nehmen zu hohe Ströme auf, wodurch die Fahrzeugelektronik beschädigt werden kann.
- Beachten Sie beim Verlegen der elektrischen Anschlüsse, dass diese
  - nicht geknickt oder verdreht werden,
  - nicht an Kanten scheuern,
  - nicht ohne Schutz durch scharfkantige Durchführungen verlegt werden.
- Isolieren Sie alle Verbindungen und Anschlüsse.
- Sichern Sie die Kabel gegen mechanische Beanspruchung durch Kabelbinder oder Isolierband, z. B. an vorhandenen Leitungen.

Die Kamera ist wasserdicht. Die Dichtungen der Kamera halten aber nicht einem Hochdruckreiniger stand (Abb. **4**, Seite 4). Beachten Sie deshalb folgende Hinweise zum Umgang mit der Kamera:

- Öffnen Sie die Kamera nicht, da dieses ihre Dichtigkeit und die Funktionsfähigkeit beeinträchtigt (Abb. **5**, Seite 4).
- Ziehen Sie nicht an den Kabeln, da dieses die Dichtigkeit und die Funktionsfähigkeit der Kamera beeinträchtigt (Abb. **6**, Seite 4).
- Die Kamera ist nicht für den Betrieb unter Wasser geeignet (Abb. **7**, Seite 4).

### 3 Lieferumfang

Nr. in Abb. <b>8</b> , Seite 5	Menge	Bezeichnung	Artikel-Nr.
1	1	Farbkamera CAM80CM	9600000049 (PAL)/ 9600000198 (NTSC)
2	1	Kamerahalter	9102200073
3	2	Seitenabdeckungen	
4	1	Verlängerungskabel	9102200030
–	1	Befestigungsmaterial	

### 4 Zubehör

Als Zubehör erhältlich (nicht im Lieferumfang enthalten):

Bezeichnung	Artikel-Nr.
Verlängerungskabel 5 m	91022000028
Verlängerungskabel 8 m	91022000029
Verlängerungskabel 20 m	91022000030
Spiralkabel für Anhängerbetrieb	91022000031



## 5 Bestimmungsgemäßer Gebrauch

Die Farbkamera CAM80CM ist vorrangig für den Einsatz in Fahrzeugen gedacht. Sie ist einsetzbar in Videosystemen, die zur Beobachtung des Bereiches um das Fahrzeug vom Fahrersitz aus dienen, z. B. beim Rangieren oder Einparken.



### WARNUNG!

Gefahr von Personenschäden durch das Fahrzeug.  
Rückfahrvideosysteme stellen eine Unterstützung beim Rückwärtsfahren dar, sie entbinden Sie jedoch **nicht** von **der besonderen Vorsichtspflicht beim Rückwärtsfahren**.

## 6 Technische Beschreibung

Die Kamera ist in einem Aluminiumgehäuse untergebracht und überträgt Bild und Ton über ein Kabel zu einem Monitor. Durch die Infrarot-LEDs wird die Nachtsicht verbessert.

Die Kamera übermittelt das Bild, als ob Sie in den Rückspiegel blicken.

Die Kamera besteht aus u. a. folgenden Elementen:

Nr. in Abb. 9, Seite 5	Bezeichnung
1	6-poliges Anschlusskabel
2	Mikrofon
3	Infrarot-LEDs

## 7 Hinweise zum elektrischen Anschluss

### 7.1 Kabel verlegen



#### **ACHTUNG! Beschädigungsgefahr!**

- Wenn Sie Löcher bohren, prüfen Sie vorher, ob ausreichender Freiraum für den Bohreraustritt vorhanden ist.
- Nicht fachgerechte Kabelverlegungen und Kabelverbindungen führen immer wieder zu Fehlfunktionen oder Beschädigungen von Bauteilen. Eine korrekte Kabelverlegung bzw. Kabelverbindung ist die Grundvoraussetzung für eine dauerhafte und fehlerfreie Funktion der nachgerüsteten Komponenten.
- Die Kabel dürfen nicht über längere Zeit mit Lösungsmitteln wie z. B. Benzin in Berührung kommen, da Lösungsmittel die Kabel beschädigen würden.

Beachten Sie deshalb folgende Hinweise:

- Verwenden Sie für die Durchführung der Anschlusskabel nach Möglichkeit Originaldurchführungen oder andere Durchführungsmöglichkeiten, z. B. Verkleidungskanten, Lüftungsgitter oder Blindschalter. Wenn keine Durchführungen vorhanden sind, müssen Sie für die jeweiligen Kabel entsprechende Löcher bohren. Schauen Sie vorher nach, ob ausreichender Freiraum für den Bohreraustritt vorhanden ist.
- Verlegen Sie die Kabel nach Möglichkeit immer im Fahrzeuginneren, denn dort sind sie besser geschützt als außen am Fahrzeug.  
Wenn Sie die Kabel trotzdem außerhalb des Fahrzeuges verlegen, achten Sie auf eine sichere Befestigung (durch zusätzliche Kabelbinder, Isolierband usw.).
- Um Beschädigungen am Kabel zu vermeiden, halten Sie beim Verlegen der Kabel immer ausreichend Abstand zu heißen und sich bewegendenden Fahrzeugteilen (Auspuffrohre, Antriebswellen, Lichtmaschine, Lüfter, Heizung usw.). Verwenden Sie zum mechanischen Schutz Wellrohr oder ähnliche Schutzmaterialien.
- Verschrauben Sie die Steckverbindungen der Verbindungskabel zum Schutz gegen das Eindringen von Wasser (Abb. **17**, Seite 7).
- Beachten Sie beim Verlegen der Kabel, dass diese
  - nicht stark geknickt oder verdreht werden,
  - nicht an Kanten scheuern,
  - nicht ohne Schutz durch scharfkantige Durchführungen verlegt werden (Abb. **3**, Seite 4).
- Befestigen Sie die Kabel sicher im Fahrzeug, um ein Verfangen (Sturzgefahr) zu vermeiden. Dieses kann erfolgen durch den Einsatz von Kabelbindern, Isolierband oder durch Ankleben mit Klebstoff.
- Schützen Sie jeden Durchbruch an der Außenhaut durch geeignete Maßnahmen gegen Wassereintrich, z. B. durch Einsetzen des Kabels mit Dichtungsmasse und durch Abspritzen des Kabels und der Durchführungstülle mit Dichtungsmasse.

**HINWEIS**

Beginnen Sie mit dem Abdichten der Durchbrüche erst, nachdem alle Einstellarbeiten an der Kamera abgeschlossen sind und die benötigten Längen der Anschlusskabel festliegen.

## 8 Kamera montieren

### 8.1 Benötigtes Werkzeug

Für **Einbau und Montage** benötigen Sie folgende Werkzeuge:

- Satz Bohrer (Abb. **1** 1, Seite 3)
- Bohrmaschine (Abb. **1** 2, Seite 3)
- Schraubendreher (Abb. **1** 3, Seite 3)
- Satz Ring- oder Maulschlüssel (Abb. **1** 4, Seite 3)
- Maßstab (Abb. **1** 5, Seite 3)
- Hammer (Abb. **1** 6, Seite 3)
- Körner (Abb. **1** 7, Seite 3)

Für den **elektrischen Anschluss** und seine Überprüfung benötigen Sie folgende Hilfsmittel:

- Diodenprüflampe (Abb. **1** 8, Seite 3) oder Voltmeter (Abb. **1** 9, Seite 3)
- Krimpzange (Abb. **1** 10, Seite 3)
- Isolierband (Abb. **1** 11, Seite 3)
- Ggf. Kabeldurchführungstüllen

Zur **Befestigung der Kabel** benötigen Sie ggf. noch weitere Kabelbinder.

## 8.2 Kamera montieren



### VORSICHT!

Wählen Sie den Platz der Kamera so und befestigen Sie diese so sicher, dass unter keinen Umständen in der Nähe stehende Personen verletzt werden können, z. B. weil über das Fahrzeugdach streifende Äste die Kamera abreißen.



### HINWEIS

Wenn durch den Anbau der Kamera die in den Fahrzeugpapieren eingetragene Fahrzeughöhe oder Fahrzeuglänge verändert wird, muss eine neue Abnahme durch die zuständigen Stellen (TÜV, DEKRA usw.) erfolgen.

Lassen Sie die neue Abnahme durch Ihr zuständiges Straßenverkehrsamt in die Fahrzeugpapiere eintragen.

Beachten Sie folgende Hinweise bei der Montage:

- Bringen Sie die Kamera für einen vernünftigen Blickwinkel in mindestens zwei Metern Höhe an. Achten Sie bei der Montage auf einen ausreichend standfesten Arbeitsplatz.
- Achten Sie darauf, dass der Montageort der Kamera ausreichende Festigkeit bietet (z. B. können sich über das Fahrzeugdach streifende Äste in der Kamera verfangen).
- Montieren Sie den Kamerahalter waagrecht und mittig am Heck des Fahrzeuges (Abb. **10**, Seite 6).
- Die sicherste Art der Befestigung sind Schrauben, die durch den Aufbau gehen. Beachten Sie dabei folgende Hinweise:
  - Hinter der gewählten Montageposition muss ausreichend Freiraum für die Montage vorhanden sein.
  - Jeder Durchbruch muss durch geeignete Maßnahmen gegen Wassereintrich geschützt werden (z. B. durch Einsetzen der Schrauben mit Dichtungsmasse und/oder Abspritzen der äußeren Befestigungsteile mit Dichtungsmasse).
  - Der Aufbau an der Befestigungsstelle muss genügend Festigkeit bieten, damit sich der Kamerahalter genügend fest anziehen lässt.
- Kontrollieren Sie vorher, ob ausreichender Freiraum für den Bohreraustritt vorhanden ist (Abb. **2**, Seite 4).
- Wenn Sie sich nicht sicher über den von Ihnen gewählten Montageort sind, erkundigen Sie sich beim Aufbauhersteller oder dessen Vertretung.



### HINWEIS

Um die Korrosion der Schrauben zu minimieren, fetten Sie die Gewinde ein.

Gehen Sie bei der Montage wie folgt vor:

- Halten Sie den Kamerahalter an den gewählten Montageort und markieren Sie mindestens zwei verschiedene Bohrpunkte (Abb. **11**, Seite 6).
- Können Sie an den zuvor angezeichneten Punkten mit Hammer und Körner vor, um ein Verlaufen des Bohrers zu verhindern.

**Wenn Sie die Kamera mit Blechschauben anschrauben möchten (Abb. 12, Seite 6)****ACHTUNG! Beschädigungsgefahr!**

Die Befestigung mit Blechschauben darf nur in Stahlblechen mit einer Mindestdicke von 1,5 mm erfolgen.

- Bohren Sie an den zuvor angezeichneten Punkten jeweils ein Loch von  $\varnothing$  4 mm.
- Entgraten Sie alle Bohrlöcher und versehen Sie sie mit Rostschutz.
- Schrauben Sie den Kamerahalter mit den Blechschauben 5 x 20 mm an.

**Wenn Sie die Kamera mit Gewindeschrauben durch den Aufbau befestigen möchten (Abb. 13, Seite 6)****ACHTUNG! Beschädigungsgefahr!**

Achten Sie darauf, dass sich die Muttern beim Anziehen nicht durch den Aufbau ziehen können.

Verwenden Sie ggf. größere Unterlegscheiben oder Blechplatten.

- Bohren Sie an den zuvor angezeichneten Punkten jeweils ein Loch von  $\varnothing$  4,5 mm.
- Entgraten Sie alle Bohrlöcher und versehen Sie sie mit Rostschutz.
- Schrauben Sie den Kamerahalter mit den Gewindeschrauben M5 x 20 mm an.  
Je nach Aufbaustärke benötigen Sie längere Gewindeschrauben.

**Durchbruch für das Anschlusskabel der Kamera anfertigen (Abb. 14, Seite 6)****HINWEIS**

Verwenden Sie für die Durchführung der Anschlusskabel nach Möglichkeit vorhandene Durchführungsmöglichkeiten, z. B. Lüftungsgitter. Wenn keine Durchführungen vorhanden sind, müssen Sie ein Loch von  $\varnothing$  16 mm bohren.

**ACHTUNG! Beschädigungsgefahr!**

Kontrollieren Sie vorher, ob ausreichender Freiraum für den Bohreraustritt vorhanden ist.

- Bohren Sie in der Nähe der Kamera ein Loch von  $\varnothing$  16 mm.
- Entgraten Sie alle Bohrlöcher, die im Blech gefertigt sind, und versehen Sie sie mit Rostschutz.
- Versehen Sie alle scharfkantigen Durchführungen mit einer Durchführungstülle.

## Kamera montieren



### ACHTUNG! Beschädigungsgefahr!

Verwenden Sie zur Montage der Kamera nur die mitgelieferten Schrauben. Längere Schrauben beschädigen die Kamera.

- Schieben Sie die Kamera in den Kamerahalter ein.
- Befestigen Sie die Kamera **lose** mit den zwei Schrauben M3 x 8 mm in den Langlöchern (Abb. **15**, Seite 6).
- Richten Sie die Kamera provisorisch so aus, dass das Objektiv einen Winkel von ca. 50° zur senkrechten Achse des Fahrzeugs bildet (Abb. **16**, Seite 7).



### ACHTUNG! Beschädigungsgefahr!

Montieren Sie die Kamera nie ohne den Kameraschutz.

## Kamera elektrisch anschließen



### HINWEIS

- Verlegen Sie das Kamerakabel so, dass Sie bei einem eventuell notwendigen Ausbau der Kamera leicht an die Steckerverbindung zwischen Kamera und Verlängerungskabel kommen. Die Demontage wird dadurch erheblich vereinfacht.
- Um Korrosion im Stecker zu minimieren, geben Sie etwas Fett, z. B. Polfett, in einen der Stecker.
- Bei Bedarf sind weitere Verlängerungskabel erhältlich (siehe Kapitel „Zubehör“ auf Seite 24).

- Führen Sie das Kamerakabel ins Fahrzeuginnere.
- Stecken Sie den Stecker des Kamerakabels in die Steckbuchse des Verlängerungskabels.
- Verschrauben Sie die Steckverbindung zum Schutz gegen das Eindringen von Wasser (Abb. **17**, Seite 7).

## Kamera ausrichten



### HINWEIS

Zum Ausrichten der Kamera müssen Sie ggf. erst noch einen Monitor montieren und elektrisch anschließen (siehe Prinzip-Anschlussplan Abb. **18**, Seite 7).

- Richten Sie die Kamera anhand des Monitorbildes aus:  
Das Monitorbild sollte am unteren Bildrand das Heck bzw. die Stoßstange Ihres Fahrzeuges zeigen. Die Mitte der Stoßstange sollte auch in der Mitte des Monitorbildes sein (Abb. **19**, Seite 7).
- Prüfen Sie die Funktion der Kamera, nachdem Sie sie an einen Monitor angeschlossen haben.

## Kamera befestigen

- Ziehen Sie die beiden Befestigungsschrauben in den Langlöchern des Kamerahalters fest.
- Befestigen Sie die Seitenabdeckungen mit den beiden Schrauben M3 x 8 mm in den mittleren Gewindebohrungen (Abb. **20**, Seite 8).

## 9 Kamera pflegen und reinigen



### **ACHTUNG! Beschädigungsgefahr!**

Keine scharfen oder harten Mittel zur Reinigung verwenden, da dies zu einer Beschädigung des Geräts führen kann.

- Reinigen Sie die Kamera gelegentlich mit einem weichen, feuchten Tuch.

## 10 Gewährleistung

Es gilt die gesetzliche Gewährleistungsfrist. Sollte das Produkt defekt sein, wenden Sie sich bitte an die Niederlassung des Herstellers in Ihrem Land (Adressen siehe Rückseite der Anleitung) oder an Ihren Fachhändler.

Zur Reparatur- bzw. Gewährleistungsbearbeitung müssen Sie Folgendes einschicken:

- defekte Komponenten,
- eine Kopie der Rechnung mit Kaufdatum,
- einen Reklamationsgrund oder eine Fehlerbeschreibung.

## 11 Entsorgung

- Geben Sie das Verpackungsmaterial möglichst in den entsprechenden Recycling-Müll.



Wenn Sie das Produkt endgültig außer Betrieb nehmen, informieren Sie sich bitte beim nächsten Recyclingcenter oder bei Ihrem Fachhändler über die zutreffenden Entsorgungsvorschriften.

**12 Technische Daten**

	<b>PerfectView CAM80CM</b>	
Art.-Nr.:	9600000049	9600000198
Bildsensor:	1/3" CCD	
Bildpunkte:	ca. 270000 Pixel	
Videostandard:	PAL, 1 Vpp	NTSC, 1 Vpp
Empfindlichkeit:	< 1 Lux	
Blickwinkel:	ca. 145° diagonal ca. 100° horizontal ca. 72° vertikal	
Betriebsspannung:	11 – 16 V==	
Verbrauch:	1,8 W	
Betriebstemperatur:	-20 °C bis +65 °C	
Schutzklasse:	IP68	
Vibrationsfestigkeit:	6g	
Abmessungen B x H x T (mit Halter):	106 x 68 x 54 mm	
Gewicht:	ca. 0,35 kg	

**Zulassungen**

Das Gerät hat die E13-Zulassung.





**Veillez lire attentivement cette notice avant le montage et la mise en service. Veillez ensuite la conserver. En cas de passer le produit, veuillez le transmettre au nouvel acquéreur.**

## Table des matières

1	Explication des symboles . . . . .	34
2	Consignes de sécurité et instructions de montage . . . . .	34
3	Pièces fournies . . . . .	36
4	Accessoires . . . . .	37
5	Usage conforme . . . . .	37
6	Description technique . . . . .	37
7	Remarques concernant le raccordement électrique . . . . .	38
8	Montage de la caméra . . . . .	39
9	Entretien et nettoyage de la caméra . . . . .	43
10	Garantie . . . . .	43
11	Retraitement . . . . .	43
12	Caractéristiques techniques . . . . .	44

## 1 Explication des symboles

**AVERTISSEMENT !**

**Consigne de sécurité :** le non-respect de ces consignes peut entraîner la mort ou de graves blessures.

**ATTENTION !**

**Consigne de sécurité :** le non-respect de ces consignes peut entraîner des blessures.

**AVIS !**

Le non-respect de ces consignes peut entraîner des dommages matériels et des dysfonctionnements du produit.

**REMARQUE**

Informations complémentaires sur l'utilisation du produit.

## 2 Consignes de sécurité et instructions de montage

Le fabricant décline toute responsabilité pour des dommages dans les cas suivants :

- des défauts de montage ou de raccordement
- des influences mécaniques et des surtensions ayant endommagé le matériel
- des modifications apportées au produit sans autorisation explicite de la part du fabricant
- une utilisation différente de celle décrite dans la notice

### **Respectez les consignes de sécurité et autres prescriptions imposées par le fabricant du véhicule et par les professionnels de l'automobile !**

**AVERTISSEMENT !**

Tout branchement électrique inadéquat peut entraîner un court-circuit causant

- la combustion de câbles,
- le déclenchement de l'airbag,
- l'endommagement des dispositifs électroniques de commande,
- la défaillance des fonctions électriques (clignotants, feux-stop, klaxon, allumage, éclairage).

**AVIS !**

Débranchez toujours la borne négative avant de procéder à des travaux sur les éléments électriques du véhicule afin d'éviter tout risque de court-circuit.

Sur les véhicules équipés d'une batterie supplémentaire, vous devez également débrancher le pôle négatif de cette dernière.

Veillez donc respecter les consignes suivantes :

- Pour tous les travaux sur les lignes électriques suivantes, n'utilisez que des cosses de câble, fiches et alvéoles pour contacts plats isolés :
  - 30 (entrée directe pôle positif de la batterie)
  - 15 (pôle positif connecté, derrière la batterie)
  - 31 (ligne de retour à partir de la batterie, masse)
  - L (clignotants gauches)
  - R (clignotants droits)

N'utilisez **pas** de dominos.

- Utilisez une pince à sertir pour relier les câbles.
- Pour les raccordements à la ligne électrique 31 (masse), vissez le câble
  - à une vis de masse du véhicule, avec une cosse et une rondelle crantée, ou bien
  - à la carrosserie, avec une cosse et une vis à tôle.

Veillez à une bonne transmission de la masse !

Lorsque vous débranchez le pôle négatif de la batterie, les mémoires volatiles de l'électronique de confort perdent toutes les données enregistrées.

- Vous devez procéder à un nouveau réglage des données suivantes en fonction de l'équipement du véhicule :
  - code radio
  - horloge du véhicule
  - minuterie
  - ordinateur de bord
  - position du siège

Les instructions de réglage figurent dans les notices d'utilisation correspondantes.

Veillez respecter les consignes suivantes lors du montage :



### ATTENTION !

- Fixez les pièces installées dans le véhicule de manière à ce qu'elles ne puissent en aucun cas se desserrer (freinage abrupt, accident) et risquer de causer des **blesures aux occupants** du véhicule.
- Fixez les pièces du système sous l'habillage de telle sorte qu'elles ne puissent pas se détacher, endommager d'autres pièces ou connexions, ni gêner le fonctionnement du véhicule (direction, pédales, etc.).
- Respectez toujours les consignes de sécurité du fabricant du véhicule. Certains travaux (p. ex. au niveau des systèmes de retenue, AIRBAG, etc.) doivent être effectués uniquement par un personnel spécialisé ayant reçu une formation correspondante.



### AVIS !

- Avant de percer des trous, assurez-vous que vous disposez d'un espace suffisant de l'autre côté du trou à percer afin que la mèche n'occasionne aucun dégât.
- Ebavurez tous les trous et protégez-les avec un enduit anticorrosif.

Veillez respecter les consignes suivantes pour les travaux sur les éléments électriques :



### AVIS !

- Pour le contrôle de la tension des lignes électriques, n'utilisez qu'une lampe étalon à diode ou un voltmètre.  
Les lampes étalons à corps lumineux absorbent des courants trop élevés qui pourraient endommager les composants électroniques du véhicule.
- Lors de l'installation des raccordements électriques, veillez à ce que ceux-ci
  - ne soient ni pliés, ni tordus,
  - ne frottent pas contre des arêtes,
  - ne soient pas placés dans des passages à arêtes vives sans protection.
- Isolez toutes les connexions et tous les raccords.
- Protégez les câbles contre toute contrainte mécanique en les fixant par exemple aux lignes existantes à l'aide de serre-câbles ou de ruban vinyle.

La caméra est étanche. Les joints de la caméra ne résistent cependant pas à un nettoyeur à haute pression (fig. **4**, page 4). Veillez donc à respecter les consignes suivantes en manipulant la caméra :

- N'ouvrez jamais la caméra pour ne pas nuire à son étanchéité et à son fonctionnement (fig. **5**, page 4).
- Ne tirez jamais sur les câbles pour ne pas nuire à l'étanchéité et au fonctionnement de la caméra (fig. **6**, page 4).
- La caméra n'est pas conçue pour une utilisation sous-marine (fig. **7**, page 4) !

## 3 Pièces fournies

N° dans fig. <b>8</b> , page 5	Quantité	Désignation	N° d'article
1	1	Caméra couleur CAM80CM	9600000049 (PAL)/ 9600000198 (NTSC)
2	1	Support de caméra	9102200073
3	2	Couvercle latéral	
4	1	Câble de rallonge	9102200030
–	1	Matériel de fixation	

## 4 Accessoires

Disponible en accessoires (non compris dans la livraison) :

Désignation	N° d'article
Câble de rallonge 5 m	91022000028
Câble de rallonge 8 m	91022000029
Câble de rallonge 20 m	91022000030
Câble spiralé pour utilisation de remorque	91022000031

## 5 Usage conforme

La caméra couleur CAM80CM est conçue principalement pour être installée dans des véhicules. Elle peut être utilisée sur les systèmes vidéo qui permettent d'observer, depuis le siège du conducteur, la zone située autour du véhicule, p. ex. pour manœuvrer ou pour se garer.



### AVERTISSEMENT !

Risque de dommages corporels causés par le véhicule.

Les systèmes vidéo de recul vous apportent une aide supplémentaire en marche arrière, mais ces appareils ne vous dégagent **pas** du **devoir de prudence qui vous incombe lorsque vous conduisez en marche arrière.**

## 6 Description technique

La caméra est logée dans un boîtier en aluminium et transmet image et son à l'écran par l'intermédiaire d'un câble. Les LED infrarouge améliorent la vue de nuit.

La caméra transmet l'image comme si vous regardiez dans le rétroviseur.

La caméra se compose entre autres des éléments suivants :

N° dans fig. 9, page 5	Désignation
1	Câble de raccordement à 6 pôles
2	Micro
3	LED infrarouge

## 7 Remarques concernant le raccordement électrique

### 7.1 Pose des câbles



#### AVIS ! Risque d'endommagement !

- Avant de percer des trous, vérifiez qu'il y a un espace suffisant de l'autre côté du trou pour le passage de la mèche.
- Toute erreur de pose ou de branchement des câbles entraîne presque toujours des perturbations et des détériorations des composants. Une pose et un branchement corrects des câbles sont indispensables au fonctionnement durable et fiable des composants que vous installez.
- Veillez à ce que les câbles ne soient pas en contact avec des solvants tels que l'essence pour une durée prolongée. Ces solvants endommageraient les câbles.

Veillez donc à respecter les consignes suivantes :

- Pour la pose des câbles de raccordement, utilisez si possible des passages existants ou d'autres possibilités de passage telles que les arêtes de garnitures, grilles d'aération ou interrupteurs aveugles. Si aucun passage n'est disponible, vous devrez percer des trous pour y faire passer les câbles. Vérifiez avant le perçage qu'il y a un espace suffisant pour la sortie de la mèche de l'autre côté du trou.
- Autant que possible, ne posez les câbles qu'à l'intérieur du véhicule. Ils y seront mieux protégés qu'à l'extérieur.  
Si vous deviez malgré tout faire passer les câbles à l'extérieur du véhicule, veillez à ce qu'ils soient solidement fixés (en utilisant des serre-fils supplémentaires, du chatterton, etc.).
- Installez les câbles à une distance suffisante des éléments chauds et/ou mobiles du véhicule (tuyaux d'échappement, arbres de transmission, dynamo, ventilateurs, chauffage, etc.) qui pourraient les endommager. Pour assurer la protection mécanique des câbles, veuillez utiliser des tubes ondulés ou autres matériaux de protection.
- Vissez le raccord enfichable afin de le protéger contre les infiltrations d'eau (fig. 17, page 7).
- Lors de la pose des câbles, veillez à ce que ceux-ci
  - ne soient ni fortement pliés, ni tordus,
  - ne frottent pas contre des arêtes,
  - ne soient pas placés dans des traversées à arêtes vives sans protection (fig. 3, page 4).
- Fixez soigneusement les câbles à l'intérieur du véhicule pour éviter que quelqu'un ne trébuche dessus (risque de chute). Pour cela, utilisez des serre-câbles, du ruban isolant ou fixez le câble avec de la colle.
- Veillez à protéger chaque trou percé dans la carrosserie en prenant des mesures appropriées contre toute infiltration d'eau, par exemple en appliquant du mastic sur le câble et sur le passe-câble.

**REMARQUE**

Les opérations d'étanchéification des trous pratiqués ne doivent être entreprises que lorsque tous les réglages de position de la caméra ont été effectués et que les longueurs nécessaires de câbles de raccordement ont été définies.

## 8 Montage de la caméra

### 8.1 Outils nécessaires

Pour la **mise en place et le montage**, vous devez disposer des outils suivants :

- Jeu de mèches (fig. **1** 1, page 3)
- Perceuse (fig. **1** 2, page 3)
- Tournevis (fig. **1** 3, page 3)
- Jeu de clés à œil ou de clés plates (fig. **1** 4, page 3)
- Mètre (fig. **1** 5, page 3)
- Marteau (fig. **1** 6, page 3)
- Pointeau (fig. **1** 7, page 3)

Pour le **raccordement électrique** et le contrôle de celui-ci, vous devez disposer du matériel suivant :

- Lampe étalon à diode (fig. **1** 8, page 3) ou voltmètre (fig. **1** 9, page 3)
- Pince de sertissage (fig. **1** 10, page 3)
- Ruban isolant (fig. **1** 11, page 3)
- Si nécessaire : passe-câbles

Pour la **fixation des câbles**, vous aurez éventuellement besoin de serre-fils supplémentaires.

### 8.2 Montage de la caméra

**ATTENTION !**

La caméra doit être placée et fixée de manière à ce qu'en aucun cas des personnes se trouvant à proximité ne puissent être blessées (pour éviter par exemple que des branches effleurant le toit du véhicule fassent tomber la caméra).

**REMARQUE**

Si le montage de la caméra entraîne une modification de la hauteur ou de la longueur du véhicule mentionnées sur les papiers du véhicule, le véhicule doit être recontrôlé et approuvé par les services compétents (centres de contrôle technique, etc.).  
Faites inscrire sur les papiers du véhicule les modifications ainsi approuvées par les autorités compétentes.

Veillez à respecter les consignes suivantes lors du montage :

- La caméra doit être installée à une hauteur de 2 mètres minimum pour offrir un angle de vue suffisant.  
Veillez à effectuer les travaux de montage dans un endroit stable.
- Veillez à ce que l'emplacement de la caméra lui garantisse une stabilité suffisante (au cas où, par exemple, des branches effleurant le toit resteraient accrochées à la caméra).
- Montez le support de la caméra en position horizontale et centrale à l'arrière du véhicule (fig. **10**, page 6).
- Pour assurer une sécurité maximale, il convient de fixer les éléments à l'aide de vis traversant la carrosserie. Lorsque vous procédez à la fixation, veuillez respecter les consignes suivantes :
  - Veillez à ce qu'un espace suffisant soit disponible de l'autre côté de l'emplacement choisi afin que vous puissiez procéder au montage.
  - N'oubliez pas, pour chaque trou percé, de prendre des mesures adéquates afin d'éviter toute infiltration d'eau (par exemple en appliquant du mastic sur chaque vis et/ou en recouvrant de mastic les pièces de fixation extérieures).
  - Il faut choisir pour la fixation un endroit suffisamment solide de la carrosserie afin de pouvoir bien visser le support de la caméra.
- Vérifiez avant le perçage que vous disposez d'un espace suffisant de l'autre côté du trou pour le passage de la mèche (fig. **2**, page 4).
- Si vous avez le moindre doute quant au choix de l'emplacement de montage, veuillez vous adresser au fabricant de la carrosserie ou à un concessionnaire agréé.



#### REMARQUE

Afin de minimiser la corrosion des vis, veuillez graisser leur filetage.

Procédez au montage de la façon suivante :

- Placez le support de la caméra sur l'emplacement de montage choisi et marquez l'emplacement d'au moins deux points de perçage (voir fig. **11**, page 6).
- A l'aide du marteau, donnez un léger coup de pointe sur les points préalablement marqués afin d'éviter tout décentrage de la mèche.

**Si vous souhaitez fixer la caméra à l'aide de vis à tôle (fig. **12**, page 6)**



#### AVIS ! Risque d'endommagement !

La fixation avec des vis à tôle n'est autorisée que sur les tôles en acier d'une épaisseur de 1,5 mm minimum.

- Percez sur chaque point préalablement tracé un trou de  $\varnothing$  4 mm.
- Ebavurez tous les trous percés et protégez-les avec un enduit anticorrosif.
- Vissez le support de la caméra à l'aide des vis à tôle 5 x 20 mm.



## Si vous souhaitez fixer la caméra à l'aide de vis filetées traversant la carrosserie (fig. 13, page 6)



### AVIS ! Risque d'endommagement !

Veillez à ce que les écrous ne risquent pas de passer à travers la carrosserie lorsque vous les serrez.

Utilisez si nécessaire des plaques de tôle ou des rondelles de grande taille.

- Percez sur chaque point préalablement tracé un trou de  $\varnothing 4,5$  mm.
- Ebavurez tous les trous percés et protégez-les avec un enduit anticorrosif.
- Vissez le support de la caméra à l'aide des vis filetées M5 x 20 mm.  
Vous aurez éventuellement besoin de vis d'une longueur supérieure en fonction de l'épaisseur de la carrosserie.

## Orifice destiné au câble de raccordement de la caméra (fig. 14, page 6)



### REMARQUE

Faites passer, dans la mesure du possible, les câbles de raccordement par des ouvertures déjà existantes (ex. : grille d'aération). Si aucun passage n'est disponible, vous devez percer un trou de  $\varnothing 16$  mm.



### AVIS ! Risque d'endommagement !

Vérifiez avant le perçage qu'il y a un espace suffisant de l'autre côté du trou pour le passage de la mèche.

- Percez à proximité de la caméra un trou de  $\varnothing 16$  mm.
- Ebavurez tous les trous pratiqués dans la tôle et protégez-les avec un enduit anticorrosif.
- Placez un passe-câbles dans chaque passage présentant des arêtes vives.

## Montage de la caméra



### AVIS ! Risque d'endommagement !

Pour monter la caméra, veuillez utiliser uniquement les vis fournies. Des vis plus longues endommageraient la caméra.

- Placez la caméra dans le support.
- Fixez la caméra en vissant **sans les serrer** les deux vis M3 x 8 mm dans les trous allongés (voir fig. 15, page 6).
- Orientez provisoirement la caméra de manière à ce que l'objectif forme un angle d'environ  $50^\circ$  par rapport à l'axe vertical du véhicule (fig. 16, page 7).



### AVIS ! Risque d'endommagement !

Ne montez jamais la caméra sans son cache de protection.

## Raccordement électrique de la caméra



### REMARQUE

- Posez le câble de la caméra de telle manière que la connexion reliant la caméra au câble de rallonge soit facilement accessible au cas où un démontage de la caméra serait nécessaire. Cette précaution simplifie énormément le démontage.
- Pour minimiser le risque de corrosion de la connexion, lubrifiez légèrement l'un des connecteurs à l'aide d'une graisse spéciale.
- En cas de besoin, d'autres câbles de rallonge sont disponibles (voir chapitre « Accessoires », page 37).

- Placez le câble de la caméra à l'intérieur du véhicule.
- Enfoncez le connecteur du câble de la caméra dans la prise femelle du câble de rallonge.
- Vissez le raccord enfichable afin de le protéger contre les infiltrations d'eau (fig. 17, page 7).

## Orientation de la caméra



### REMARQUE

Pour orienter la caméra, vous devez d'abord monter et brancher, le cas échéant, un écran (voir schéma électrique de base fig. 18, page 7).

- Orientez la caméra en fonction de l'image affichée par l'écran :  
L'arrière ou le pare-chocs arrière de votre véhicule doit apparaître au bas de l'image. La partie centrale du pare-chocs doit apparaître au centre de l'écran (fig. 19, page 7).
- Vérifiez le fonctionnement de la caméra après l'avoir raccordée à un écran.

## Fixation de la caméra

- Serrez les deux vis de fixation dans les trous allongés du support de la caméra.
- Fixez le couvercle latéral en vissant les deux vis M3 x 8 mm dans l'alésage du milieu (fig. 20, page 8).

## 9 Entretien et nettoyage de la caméra



### **AVIS ! Risque d'endommagement !**

N'utilisez aucun objet coupant ou dur pour le nettoyage. Ceci pourrait endommager les appareils.

- Nettoyez de temps en temps la caméra avec un tissu doux et humide.

## 10 Garantie

Le délai légal de garantie s'applique. Si le produit s'avérait défectueux, veuillez vous adresser à la filiale du fabricant située dans votre pays (voir adresses au verso du présent manuel) ou à votre revendeur spécialisé.

Pour toute réparation ou autre prestation de garantie, veuillez joindre à l'appareil les documents suivants :

- composants défectueux,
- une copie de la facture avec la date d'achat,
- le motif de la réclamation ou une description du dysfonctionnement.

## 11 Retraitement

- Jetez les emballages dans les conteneurs de déchets recyclables prévus à cet effet.



Lorsque vous mettez votre produit définitivement hors service, informez-vous auprès du centre de recyclage le plus proche ou auprès de votre revendeur spécialisé sur les prescriptions relatives au retraitement des déchets.

**12 Caractéristiques techniques**

	<b>PerfectView CAM80CM</b>	
Référence :	9600000049	9600000198
Capteur d'image :	1/3" CCD	
Pixels :	env. 270000 pixels	
Standard vidéo :	PAL, 1 Vpp	NTSC, 1 Vpp
Sensibilité :	< 1 lux	
Angle de vue :	env. 145° en diagonale env. 100° à l'horizontale env. 72° à la verticale	
Tension de service :	11 - 16 V==	
Consommation :	1,8 W	
Température de fonctionnement :	-20 °C à +65 °C	
Type de protection :	IP68	
Résistance aux vibrations :	6g	
Dimensions L x h x p (dans le support) :	106 x 68 x 54 mm	
Poids :	env. 0,35 kg	

**Certifications**

Cet appareil possède la certification E13.



**Lea detenidamente estas instrucciones antes de llevar a cabo la instalación y puesta en funcionamiento, y consérvelas en un lugar seguro. En caso de vender o entregar el producto a otra persona, entregue también estas instrucciones.**

## Índice

1	Aclaración de los símbolos	45
2	Indicaciones de seguridad y para la instalación	46
3	Volumen de entrega	48
4	Accesorios	48
5	Uso adecuado	49
6	Descripción técnica	49
7	Indicaciones relativas a la conexión eléctrica	49
8	Montaje de la cámara	51
9	Mantenimiento y limpieza de la cámara	55
10	Cobertura de la garantía	55
11	Eliminación	55
12	Datos técnicos	56

## 1 Aclaración de los símbolos



### ¡ADVERTENCIA!

**Indicación de seguridad:** su incumplimiento puede acarrear la muerte o graves lesiones.



### ¡ATENCIÓN!

**Indicación de seguridad:** su incumplimiento puede acarrear lesiones.



### ¡AVISO!

Su incumplimiento puede acarrear daños materiales y perjudicar el correcto funcionamiento del producto.



### NOTA

Información adicional para el manejo del producto.

## 2 Indicaciones de seguridad y para la instalación

El fabricante declina toda responsabilidad ante daños ocurridos en los siguientes casos:

- errores de montaje o de conexión
- daños en el producto debido a influencias mecánicas y sobretensiones
- modificaciones realizadas en el producto sin el expreso consentimiento del fabricante
- utilización del aparato para fines distintos a los descritos en las instrucciones

### ¡Tenga en cuenta las indicaciones de seguridad y la documentación suministrada por el fabricante y el taller del vehículo!



#### ¡ADVERTENCIA!

Las conexiones eléctricas deficientes pueden provocar, como consecuencia de un cortocircuito, que:

- se quemen los cables,
- se dispare el airbag,
- resulten dañados los dispositivos electrónicos de control,
- queden sin funcionamiento determinadas funciones eléctricas (intermitentes, luz de freno, claxon, encendido, luz).



#### ¡AVISO!

Desemborne el polo negativo siempre que vaya a trabajar en el sistema eléctrico del vehículo para evitar un cortocircuito.

Desemborne también el polo negativo de la batería adicional en aquellos vehículos que dispongan de una.

Por ello, observe las siguientes indicaciones:

- Al trabajar en los siguientes cables, utilice sólo terminales de cable, conectores y manguitos de enchufe planos que estén provistos de aislamiento:
  - 30 (entrada del polo positivo directo de la batería)
  - 15 (polo positivo conectado, detrás de la batería)
  - 31 (cable de retorno desde la batería, masa)
  - L (lámpara de luz intermitente izquierdo)
  - R (lámpara de luz intermitente derecho)

**No** utilice regletas.

- Utilice una crimpadora para empalmar los cables.
- En el caso de conexiones al cable 31 (masa), atornille el cable
  - con terminal de cable y arandela dentada a un tornillo de masa del vehículo, o bien,
  - con terminal de cable y tornillo para chapa a la chapa de la carrocería.

Asegúrese de que se produzca una correcta transmisión de masa.

Tenga en cuenta que al desembornar el polo negativo de la batería se perderán todos los datos almacenados en las memorias volátiles de la electrónica de confort.

- Dependiendo del equipamiento del vehículo, deberá volver a ajustar los siguientes datos:
  - código de la radio
  - reloj del vehículo
  - reloj programador
  - ordenador de a bordo
  - posición del asiento

Las indicaciones para realizar los ajustes se encuentran en las instrucciones de uso correspondientes.

Tenga en cuenta las siguientes indicaciones durante el montaje:



### ¡ATENCIÓN!

- Sujete las piezas montadas en el vehículo de forma que no se puedan soltar bajo ninguna circunstancia (frenazo o accidente) ni ocasionar **lesiones a los ocupantes del vehículo**.
- Fije ocultas bajo revestimientos las partes del sistema que se deban montar, de manera que no puedan soltarse o dañar otras piezas ni cables, y de manera que no puedan afectar a las funciones del vehículo (dirección, pedales, etc.).
- Respete siempre las indicaciones de seguridad del fabricante del vehículo. Algunos trabajos (p. ej. en los sistemas de retención como AIRBAG, etc.) sólo los puede realizar personal especializado y con la debida formación.



### ¡AVISO!

- A fin de evitar que se produzcan daños al utilizar el taladro, asegúrese de disponer de suficiente espacio para la salida de la broca.
- Lije las perforaciones y aplíqueles un antioxidante.

Tenga en cuenta las siguientes indicaciones al trabajar en los componentes eléctricos:



### ¡AVISO!

- Para comprobar la tensión en los cables eléctricos utilice solamente un diodo de comprobación o un voltímetro. Las lámparas de prueba con un elemento luminoso tienen un consumo de corriente demasiado elevado, por lo que puede dañarse el sistema electrónico del vehículo.
- Al instalar las conexiones eléctricas tenga en cuenta que éstas:
  - no se doblen ni se tuerzan,
  - no rocen con bordes,
  - no se instalen sin protección en canales de paso con bordes afilados.
- Aísle todos los empalmes y conexiones.
- Asegure los cables frente a tracciones mecánicas mediante abrazaderas para cables o cinta aislante, por ejemplo, fijándolos a los cables eléctricos ya existentes.

La cámara es impermeable al agua. Sin embargo, las juntas de la cámara no resisten los efectos de un limpiador de alta presión (fig. 4, página 4). Por ello, tenga en cuenta también las siguientes indicaciones de uso para la cámara:

- No abra la cámara, puesto que afectará a la estanqueidad y a la capacidad funcional de la cámara (fig. 5, página 4).
- No tire de los cables, puesto que afectará a la estanqueidad y a la capacidad funcional de la cámara (fig. 6, página 4).
- La cámara no se ha concebido para ser utilizada bajo agua (fig. 7, página 4).

### 3 Volumen de entrega

Nº en fig. 8, página 5	Cantidad	Descripción	Nº de artículo
1	1	Cámara a color CAM80CM	9600000049 (PAL)/ 9600000198 (NTSC)
2	1	Soporte de la cámara	9102200073
3	2	Cubiertas laterales	
4	1	Cable alargador	9102200030
-	1	Material de fijación	

### 4 Accesorios

Disponible como accesorio (no incluido en el alcance del suministro):

Descripción	Nº de artículo
Cable alargador 5 m	91022000028
Cable alargador 8 m	91022000029
Cable alargador 20 m	91022000030
Cable en espiral para remolcar	91022000031



## 5 Uso adecuado

La cámara a color CAM80CM está pensada especialmente para su uso en vehículos. Se puede utilizar en sistemas de vídeo destinados a observar, desde el asiento del conductor, el área circundante al vehículo, p.ej., al maniobrar o al aparcar.



### ¡ADVERTENCIA!

Peligro de que se produzcan daños personales con el vehículo.

Los sistemas de vídeo para marcha atrás suponen una ayuda en las maniobras de marcha atrás, pero ello **no** excluye que se deban tomar **las precauciones necesarias durante la marcha atrás**.

## 6 Descripción técnica

La cámara está alojada dentro de una carcasa de aluminio y transmite la imagen y el sonido al monitor a través de un cable. La visibilidad nocturna mejora gracias a los LEDs infrarrojos.

La cámara transmite la imagen como si se estuviera mirando en el espejo retrovisor.

La cámara consta, entre otros, de los siguientes elementos:

N.º en fig. 9, página 5	Denominación
1	Cable de alimentación de 6 polos
2	Micrófono
3	LEDs infrarrojos

## 7 Indicaciones relativas a la conexión eléctrica

### 7.1 Cableado



### ¡AVISO! ¡Peligro de ocasionar daños materiales!

- Si perfora agujeros, compruebe primero si existe el espacio libre suficiente para la salida del taladro.
- La colocación y conexión de cables no realizadas por personal técnico, tienen como consecuencia el mal funcionamiento o daños en los componentes. Una conexión y colocación correctas de los cables, es requisito fundamental para un funcionamiento duradero y correcto de los accesorios instalados.
- Los cables no deben estar durante largo tiempo en contacto con disolventes, como p. ej. gasolina, ya que el disolvente dañaría el cable.

Por ello, observe las siguientes indicaciones:

- Para pasar el cable de conexión utilice, siempre que sea posible, canales de paso originales u otras posibilidades, como p. ej. aristas revestidas, rejillas de ventilación o interruptores falsos. Si no existe ningún canal de paso previo, deberá realizar los correspondientes agujeros para cada cable. Antes, compruebe si hay suficiente espacio libre para la salida del taladro.
- Siempre que sea posible, coloque los cables en el interior del vehículo, puesto que allí estarán más protegidos que fuera del mismo. Si a pesar de ello, colocase los cables en el exterior del vehículo, procure que queden bien fijos (mediante abrazaderas de cable adicionales, cinta aislante, etc.).
- A fin de evitar daños en los cables, al colocarlos, mantenga una distancia suficiente respecto a las piezas del vehículo que estén calientes y en movimiento (tubos de escape, ejes de accionamiento, dínamo, ventiladores, calefacción, etc.). Como protección mecánica utilice tubo ondulado o material protector semejante.
- Atornille el conector para proteger el sistema frente a la entrada de agua (fig. **17**, página 7).
- Al colocar los cables tenga en cuenta que:
  - no deben quedar demasiado doblados o retorcidos,
  - no rocen con aristas,
  - no se coloquen sin protección en canales de paso con aristas afiladas (fig. **3**, página 4).
- Fije los cables al vehículo de un modo seguro, para evitar un enganche (peligro de caída). Para lograr este propósito, utilice abrazaderas para cable, cinta aislante o péguelos con pegamento.
- Proteja cada abertura del revestimiento exterior con las medidas adecuadas para evitar la entrada de agua, p. ej. colocando el cable con pasta para juntas y rociando el cable y la boquilla de paso con pasta para juntas.

**NOTA**

Comience a impermeabilizar las aberturas sólo cuando haya finalizado todos los trabajos de ajuste en la cámara y cuando haya determinado la longitud necesaria del cable de conexión.

## 8 Montaje de la cámara

### 8.1 Herramientas necesarias

Para realizar la **instalación y el montaje** son necesarias las siguientes herramientas:

- Juego de brocas (fig. **1** 1, página 3)
- Taladradora (fig. **1** 2, página 3)
- Destornillador (fig. **1** 3, página 3)
- Juego de llaves poligonales o de boca (fig. **1** 4, página 3)
- Regla graduada (fig. **1** 5, página 3)
- Martillo (fig. **1** 6, página 3)
- Punzón para marcar (fig. **1** 7, página 3)

Para realizar la **conexión eléctrica** y su comprobación, necesitará los siguientes medios auxiliares:

- Diodo de comprobación (fig. **1** 8, página 3) o voltímetro (fig. **1** 9, página 3)
- Unas tenazas crimpadoras (fig. **1** 10, página 3)
- Cinta aislante (fig. **1** 11, página 3)
- Si fuera necesario, boquillas de paso.

Para la **fijación de los cables** podrá necesitar adicionalmente abrazaderas para cables.

### 8.2 Montaje de la cámara



#### ¡ATENCIÓN!

Elija un lugar de montaje para la cámara y fíjela de tal forma que en ningún caso puedan resultar heridas las personas que se encuentren cerca (p. ej. por ramas que arranquen la cámara al rozar el techo del vehículo).



#### NOTA

Puede ocurrir que al montar la cámara, la altura o la longitud del vehículo que aparece en la ficha técnica del vehículo se vean modificadas. En tal caso, las autoridades competentes (ITV, DEKRA, etc.) deberán realizar una nueva comprobación. Asegúrese de que las autoridades de tráfico competentes reflejen en la ficha técnica del vehículo la nueva comprobación realizada.

Tenga en cuenta las siguientes indicaciones durante el montaje:

- Fije la cámara a un mínimo de 2 m de altura, para obtener un ángulo de visión adecuado. Preste atención a que el lugar donde se realicen los trabajos de montaje ofrezca la suficiente estabilidad.

- Preste atención a que el lugar de montaje de la cámara ofrezca la solidez necesaria (p. ej., es posible que las ramas que pasen por encima del vehículo se queden enganchadas en la cámara).
- Monte el soporte de la cámara en horizontal y centrado en la parte trasera del vehículo (fig. 10, página 6).
- La fijación más segura es mediante tornillos que atraviesen la estructura. Por ello, observe las siguientes indicaciones:
  - Asegúrese de que detrás del lugar de montaje seleccionado haya suficiente espacio libre para poder montar la cámara.
  - Cada abertura se debe proteger con medidas adecuadas frente a la entrada de agua (p. ej. utilizando tornillos con pasta para juntas y/o rociando las piezas de sujeción con pasta para juntas).
  - El punto de sujeción de la estructura debe ser lo suficientemente sólido como para poder apretar suficientemente el soporte de la cámara.
- Asegúrese previamente de que existe espacio libre suficiente para la salida del taladro (fig. 2, página 4).
- En caso de no estar seguro del lugar de montaje que haya elegido, acuda al fabricante de la estructura o a su representante.

**NOTA**

Para minimizar la corrosión de los tornillos, se recomienda engrasar las roscas.

Para el montaje proceda de la siguiente manera:

- ▶ Coloque el soporte de la cámara en el lugar de montaje elegido y marque al menos 2 puntos de perforación distintos (fig. 11, página 6).
- ▶ Puncée con el martillo y el punzón en los puntos previamente marcados, para evitar posibles desviaciones del taladro.

**Si atornilla la cámara con tornillos para chapa (fig. 12, página 6)****¡AVISO! ¡Peligro de ocasionar daños materiales!**

La sujeción con tornillos para chapa sólo puede realizarse en chapas de acero con un grosor mínimo de 1,5 mm.

- ▶ Realice una perforación de  $\varnothing$  4 mm en los puntos que haya marcado anteriormente.
- ▶ Lije todas las perforaciones y aplique un anticorrosivo.
- ▶ Atornille el soporte de la cámara con los tornillos para chapa 5 x 20 mm.

**Si desea fijar la cámara a la estructura mediante tornillos roscados (fig. 13, página 6)****¡AVISO! ¡Peligro de ocasionar daños materiales!**

Asegúrese de que al apretar las tuercas, éstas no se incrusten en la estructura. En caso necesario, utilice arandelas y placas de chapa de mayor tamaño.

- Realice una perforación de  $\varnothing$  4,5 mm en los puntos que haya marcado anteriormente.
- Lije todas las perforaciones realizadas y aplíqueles un anticorrosivo.
- Atornille el soporte de la cámara con los tornillos roscados M5 x 20 mm. Según sea el grosor de la estructura, necesitará tornillos roscados de mayor o menor longitud.

**Realizar la abertura para el paso del cable de conexión de la cámara (fig. 14, página 6)****NOTA**

Como canal de paso para el cable de conexión utilice, siempre que sea posible, posibilidades ya existentes, como p. ej., rejillas de ventilación. Si no existe ninguna posibilidad de paso, deberá perforar un agujero de  $\varnothing$  16 mm.

**¡AVISO! ¡Peligro de ocasionar daños materiales!**

Previamente, compruebe si hay espacio libre suficiente para la salida del taladro.

- Perfore un agujero de  $\varnothing$  16 mm cerca de la cámara.
- Lije todas las perforaciones realizadas en la chapa y aplíqueles un anticorrosivo.
- Coloque en todos los canales de paso con aristas afiladas una boquilla de paso.

**Montaje de la cámara****¡AVISO! Peligro de ocasionar daños materiales**

Para montar la cámara, utilice sólo los tornillos que se suministran. Unos tornillos más largos dañarían la cámara.

- Inserte la cámara en su soporte.
- Fije la cámara **sin apretarla** con los dos tornillos M3 x 8 mm en los agujeros alargados (fig. 15, página 6).
- Oriente provisionalmente la cámara de tal manera que el objetivo forme un ángulo de aprox. 50° respecto al eje vertical del vehículo (fig. 16, página 7).

**¡AVISO! Peligro de ocasionar daños materiales**

No monte nunca la cámara sin la protección adicional.

## Conexión eléctrica de la cámara



### NOTA

- Coloque el cable de la cámara de tal modo que, en caso de desmontaje de la cámara, pueda llegar con facilidad a la conexión de enchufe entre la cámara y el cable alargador. Con ello, el desmontaje se facilita considerablemente.
- Para reducir la corrosión de la clavija, se recomienda aplicar grasa, p. ej. grasa para polos, en una de las dos partes de la conexión.
- En caso necesario, hay más cables alargadores disponibles (véase capítulo "Accesorios" en la página 48).

- Lleve el cable de la cámara hasta el interior del vehículo.
- Conecte la clavija del cable de la cámara a la hembra del cable alargador.
- Atornille el conector para proteger el sistema frente a la entrada de agua (fig. 17, página 7).

## Orientar la cámara



### NOTA

Para orientar la cámara deberá montar primero un monitor y conectarlo eléctricamente (ver esquema básico de conexiones fig. 18, página 7).

- En caso necesario, oriente la cámara según la imagen del monitor:  
En el margen inferior de la imagen del monitor debe visualizarse la parte trasera o el parachoques del vehículo. El centro del parachoques debe estar también en el centro de la imagen del monitor (fig. 19, página 7).
- Compruebe el funcionamiento de la cámara tras haberla conectado a un monitor.

## Fijar la cámara

- Apriete los dos tornillos de fijación en los agujeros alargados del soporte de la cámara.
- Fije las cubiertas laterales con los dos tornillos M3 x 8 mm en los orificios roscados centrales (fig. 20, página 8).

## 9 Mantenimiento y limpieza de la cámara



### ¡AVISO! ¡Peligro de ocasionar daños materiales!

No utilice ningún instrumento afilado o duro en la limpieza, ya que podría dañar los aparatos.

- Limpie la cámara con un paño húmedo y suave cuando sea necesario.

## 10 Cobertura de la garantía

Rige el plazo de garantía legal. Si el producto presenta algún defecto, diríjase a la sucursal del fabricante de su país (ver direcciones en el dorso de estas instrucciones) o a su establecimiento especializado.

Para la tramitación de la reparación y de la garantía debe enviar lo siguiente:

- componentes defectuosos,
- una copia de la factura con fecha de compra,
- el motivo de la reclamación o una descripción de la avería.

## 11 Eliminación

- Deseche el material de embalaje en el contenedor de reciclaje correspondiente.



Cuando vaya a desechar definitivamente el producto, infórmese en el centro de reciclaje más cercano o en un comercio especializado sobre las normas pertinentes de eliminación de materiales.

**12 Datos técnicos**

	<b>PerfectView CAM80CM</b>	
Art. n.º:	9600000049	9600000198
Sensor de imagen:	1/3" CCD	
Píxeles:	aprox. 270000 píxeles	
Formato de vídeo:	PAL, 1 Vpp	NTSC, 1 Vpp
Sensibilidad:	< 1 lux	
Ángulo de visión:	aprox. 145° diagonal aprox. 100° horizontal aprox. 72° vertical	
Tensión de funcionamiento:	11 - 16 V==	
Consumo:	1,8 W	
Temperatura de funcionamiento:	-20 °C hasta +65 °C	
Clase de protección:	IP68	
Resistencia a vibraciones:	6g	
Dimensiones A x H x P (con soporte):	106 x 68 x 54 mm	
Peso:	aprox. 0,35 kg	

**Homologaciones**

El aparato cumple con la homologación E13.





**Por favor, leia atentamente este manual antes da montagem e colocação em funcionamento do aparelho e guarde-o em local seguro. Em caso de transmissão do produto, entregue o manual ao novo utilizador.**

## Índice

1	Explicação dos símbolos	57
2	Indicações de segurança e de montagem	58
3	Material fornecido	60
4	Acessório	60
5	Utilização adequada	61
6	Descrição técnica	61
7	Indicações sobre a ligação elétrica	61
8	Montar a câmara	63
9	Conservar e limpar a câmara	67
10	Garantia	67
11	Eliminação	67
12	Dados técnicos	68

## 1 Explicação dos símbolos



### AVISO!

**Indicação de segurança:** o incumprimento pode provocar a morte ou ferimentos graves.



### PRECAUÇÃO!

**Indicação de segurança:** o incumprimento pode provocar ferimentos.



### NOTA!

O incumprimento pode causar danos materiais e pode prejudicar o funcionamento do produto.



### OBSERVAÇÃO

Informações suplementares sobre a operação do produto.

## 2 Indicações de segurança e de montagem

O fabricante não se responsabiliza por danos nos seguintes casos:

- Erros de montagem ou de conexão
- Danos no produto resultantes de influências mecânicas e sobretensões
- Alterações ao produto sem autorização expressa do fabricante
- Utilização para outras finalidades que não as descritas no manual de instruções

### **Cumpra as advertências de segurança e o especificado na literatura do fabricante automóvel e das associações profissionais!**



#### **AVISO!**

Conexões insuficientes podem ter como consequência um curto circuito

- queimaduras de cabos,
- o airbag dispara,
- dispositivos de comando electrónicos são danificados,
- falhas de funções eléctricas (pisca-pisca, luz de travagem, buzina, ignição, luzes).



#### **NOTA!**

Antes de efetuar trabalhos no sistema eléctrico do veículo, desligue sempre o pólo negativo devido a perigo de curto-circuito.

No caso de veículos com bateria adicional a mesma também deve ser desligada do pólo negativo.

Preste por isso atenção às seguintes indicações:

- Em trabalhos nos seguintes cabos, utilize apenas terminais de cabos, fichas e mangas para fichas planas isolados.
  - 30 (entrada do positivo da bateria direta)
  - 15 (positivo ligado, por detrás da bateria)
  - 31 (Cabo de retorno a partir da bateria, terra)
  - L (pisca-pisca esquerdo)
  - R (pisca-pisca direito)

**Não** utilize quaisquer barras de junção.

- Utilize um alicate de crimpar para ligar os cabos.
- Aparafuse o cabo por ligações ao cabo 31 (terra)
  - com terminal de cabo e arruela dentada a um parafuso terra do veículo ou
  - com terminal de cabos e parafuso autorroscante à chapa da carroçaria.

Tenha atenção a uma boa transmissão à terra!

Ao retirar o borne do pólo negativo da bateria todas as memórias voláteis da eletrónica de conforto perdem os seus dados memorizados.

- De acordo com a versão do veículo, terá de configurar novamente os seguintes dados:
  - Código do rádio
  - Relógio do veículo
  - Temporizador
  - Computador de bordo
  - Posição de utilização

No respetivo manual de instruções encontrará indicações relativas à regulação.

Respeite as seguintes indicações na montagem:



### PRECAUÇÃO!

- Fixe as peças montadas no veículo de forma a que não se soltem em circunstância alguma (travagem busca, acidente de viação) o que poderia causar **ferimentos aos ocupantes do veículo**.
- Fixe os componentes do sistema instalados por debaixo de revestimentos de modo a que não se soltem ou danifiquem outros componentes e cabos e não limitem as funções do veículo (direção, pedais, etc.).
- Preste sempre atenção às indicações de segurança do fabricante automóvel. Alguns trabalhos (p.ex. sistemas de retenção como airbag, etc.) apenas podem ser realizados por técnicos qualificados.



### NOTA!

- Durante a perfuração, certifique-se de que existe espaço suficiente para a saída da broca de modo a evitar danos.
- Remova as rebarbas de cada furo e coloque nos furos um produto anticorrosão.

Respeite as seguintes indicações durante o trabalho em peças elétricas:



### NOTA!

- Para verificar a tensão em ligações elétricas utilize apenas uma lâmpada-padrão do diodo ou um voltímetro. Lâmpadas-padrão com um corpo luminoso consomem correntes muito elevadas, pelo que a eletrónica do veículo pode ser danificada.
- Ao colocar as ligações elétricas tenha atenção para que estas
  - não fiquem dobradas ou torcidas,
  - não esfreguem nos cantos,
  - não sejam colocadas através de passagens com arestas afiadas sem proteção.
- Isole todos os cabos e ligações.
- Proteja os cabos contra desgaste mecânico através de abraçadeiras ou fita isolante, p.ex. nos cabos existentes.

A câmara é estanque. No entanto as vedações da câmara não resistem a um aparelho de limpeza a alta pressão (fig. 4, página 4). Preste, por isso, atenção às seguintes indicações sobre o manuseamento da câmara:

- Não abra a câmara, uma vez que isso afeta a sua estanqueidade e a capacidade de funcionamento.(fig. 5, página 4).
- Não puxe pelos cabos, uma vez que isso afeta a estanqueidade e a capacidade de funcionamento da câmara (fig. 6, página 4).
- A câmara não é adequada para ser utilizada debaixo de água (fig. 7, página 4).

### 3 Material fornecido

N.º na fig. 8, página 5	Quant.	Designação	N.º de artigo
1	1	Câmara a cores CAM80CM	9600000049 (PAL)/ 9600000198 (NTSC)
2	1	Suporte da câmara	9102200073
3	2	Coberturas laterais	
4	1	Cabo de extensão	9102200030
-	1	Material de fixação	

### 4 Acessório

Disponível como acessório (não incluído no material fornecido):

Designação	N.º de artigo
Cabo de extensão 5 m	91022000028
Cabo de extensão 8 m	91022000029
Cabo de extensão 20 m	91022000030
Cabo em espiral para funcionamento a reboque	91022000031

## 5 Utilização adequada

A câmara a cores CAM80CM foi idealizada predominantemente para a utilização em veículos. Pode ser utilizada em sistemas de vídeo para observação da área em torno do veículo a partir do lugar do motorista, por ex. ao fazer manobras ou ao estacionar.



### AVISO!

Perigo de ferimentos provocados pelo veículo.

Os sistemas de vídeo de marcha-atrás oferecem uma ajuda adicional nas manobras de marcha-atrás, **não** o dispensando, no entanto, **de ser extremamente prudente durante as manobras de marcha-atrás.**

## 6 Descrição técnica

A câmara está alojada numa caixa de alumínio e transmite imagem e som através de um cabo para um monitor. Os LED de infravermelhos melhoram a visão noturna.

A câmara transmite a imagem como se olhasse pelo espelho retrovisor.

A câmara é composta, entre outros, pelos seguintes elementos:

N.º na fig. 9, página 5	Designação
1	Cabo de ligação de 6 polos
2	Microfone
3	LED de infravermelhos

## 7 Indicações sobre a ligação elétrica

### 7.1 Passar os cabos



#### NOTA! Perigo de danos!

- Antes de fazer furos, verifique se existe espaço livre suficiente para a saída da broca.
- A passagem e a ligação de cabos não adequadas provocam sempre falhas de funcionamento ou danos nos componentes. A passagem ou ligação de cabos correta é uma condição fundamental para um funcionamento duradouro e sem falhas dos componentes reequipados.
- Os cabos não podem entrar em contacto durante muito tempo com solventes, como por ex., benzina, uma vez que ficariam danificados.

Preste, por isso, atenção às seguintes indicações:

- Utilize para a passagem do cabo de ligação, se possível, passagens originais ou outras possibilidades de passagem, por ex. cantos de revestimento, grades de ventilação ou interruptores cegos. Se não estiverem disponíveis quaisquer passagens, terá de perfurar os respetivos furos para cada cabo. Confira antes se está disponível espaço livre suficiente para a saída da broca.

- Sempre que possível, passe os cabos através do interior do veículo, pois aí estão mais protegidos do que no exterior.  
Caso, mesmo assim, passe os cabos pelo exterior do veículo, tenha atenção para que fiquem bem presos (mediante abraçadeiras para cabos ou fita isolante etc.).
- Para evitar danos no cabo, ao passar os cabos, mantenha sempre uma distância suficiente em relação a peças do veículo quentes ou em movimento (tubos de escape, eixos de transmissão, alternador, ventiladores, aquecimento, etc.). Para proteção mecânica utilize tubo ondulado ou materiais de proteção semelhantes.
- Aparafuse os conetores do cabo de ligação para ficarem protegidos contra a entrada de água (fig. **17**, página 7).
- Ao passar os cabos, tenha atenção para que estes
  - não fiquem muito dobrados ou torcidos,
  - não sejam friccionados de encontro aos cantos,
  - não passem sem proteção através de guias de passagem com arestas afiadas (fig. **3**, página 4).
- Fixe os cabos no veículo de modo seguro para evitar um enrolamento (perigo de queda). Isto pode ser realizado através da utilização de abraçadeiras, fita isolante ou cola.
- Proteja cada fenda do revestimento exterior com medidas adequadas para evitar que penetre água, por ex. através da colocação do cabo com massa vedante e através da pulverização do cabo e do bloco de ligação com massa vedante.

**OBSERVAÇÃO**

Comece a selar as fendas apenas quando tiver finalizado todos os trabalhos de ajuste na câmara e quando tiver determinado os comprimentos necessários do cabo de ligação.

## 8 Montar a câmara

### 8.1 Ferramenta necessária

Para a **instalação e montagem** necessita das seguintes ferramentas:

- Conjunto de brocas (fig. **1** 1, página 3)
- Berbequim (fig. **1** 2, página 3)
- Chave de parafusos (fig. **1** 3, página 3)
- Conjunto de chaves em estrela ou chaves de bocas (fig. **1** 4, página 3)
- Régua (fig. **1** 5, página 3)
- Martelo (fig. **1** 6, página 3)
- Punções (fig. **1** 7, página 3)

Para a **ligação elétrica** e respetiva verificação necessita das seguintes ferramentas de apoio:

- Lâmpada de verificação do díodo (fig. **1** 8, página 3) ou voltímetro (fig. **1** 9, página 3)
- Alicates de crimpar (fig. **1** 10, página 3)
- Fita isoladora (fig. **1** 11, página 3)
- Eventualmente blocos de ligações para passagem de cabos.

Para a **fixação dos cabos** necessita, eventualmente, de mais abraçadeiras.

### 8.2 Montar a câmara



#### PRECAUÇÃO!

Selecione o local da câmara e fixe-a de forma segura, de modo a que, em caso algum, pessoas que se encontrem nas proximidades possam ficar feridas, por ex. se ramos por cima do tejadilho roçarem na câmara.



#### OBSERVAÇÃO

Se, devido à montagem da câmara, a altura ou o comprimento do veículo registado nos respetivos documentos for alterado, deve ser realizada uma nova aprovação por parte das entidades competentes (TÜV, DEKRA, etc.) (organismos de inspeção alemães).

Dirija-se à entidade rodoviária competente para que esta aprove as alterações ao veículo.

Respeite as seguintes indicações na montagem:

- Coloque a câmara para um ângulo de visão razoável a uma altura de pelo menos dois metros. Preste atenção na montagem para que exista um espaço de trabalho estável suficiente.
- Preste atenção para que o local de montagem da câmara ofereça estabilidade suficiente (por ex. ramos que passam por cima do tejadilho podem enrolar-se na câmara).

- Monte o suporte da câmara na posição horizontal e ao centro na traseira do veículo (fig. 10, página 6).
- A forma mais segura de fixação são parafusos que atravessam a estrutura. Preste neste caso atenção às seguintes indicações:
  - Por detrás da posição de montagem selecionada deve existir espaço livre suficiente para a montagem.
  - Cada fenda tem de ficar protegida com medidas adequadas para evitar que penetre água, (p.ex. através da colocação dos parafusos com massa vedante e/ou através da pulverização dos elementos de fixação exteriores com massa vedante).
  - A estrutura tem de oferecer estabilidade suficiente no ponto de fixação para que o suporte da câmara possa ser suficientemente apertado.
- Verifique antes se existe espaço livre suficiente para a saída da broca (fig. 2, página 4).
- Se não se sentir seguro acerca do local de montagem por si selecionado, informe-se junto do fabricante da estrutura ou do respetivo representante.

**OBSERVAÇÃO**

Para minimizar a corrosão dos parafusos, lubrifique a rosca.

Para a montagem, proceda do seguinte modo:

- ▶ Segure o suporte da câmara no local de montagem selecionado e marque no mínimo dois pontos de perfuração diferentes (fig. 11, página 6).
- ▶ Efetue uma punção nos pontos anteriormente assinalados com martelo e punção para evitar que a broca deslize.

**Se pretender aparafusar a câmara com parafusos autorroscantes (fig. 12, página 6)****NOTA! Perigo de danos!**

A fixação com parafusos autorroscantes pode apenas ser realizada em chapas de aço com uma espessura mínima de 1,5 mm.

- ▶ Faça um furo de  $\varnothing$  4 mm nos pontos marcados anteriormente.
- ▶ Remova as rebarbas de todos os furos e coloque nos furos um produto anticorrosão.
- ▶ Aparafuse o suporte da câmara com os parafusos autorroscantes de 5 x 20 mm.



## Se pretender fixar a câmara com parafusos roscados através da estrutura (fig. 13, página 6)



### NOTA! Perigo de danos!

Preste atenção para que ao apertar as porcas, estas não possam ser puxadas através da estrutura.

Utilize eventualmente anilhas ou placas de chapa maiores.

- Faça um furo de  $\varnothing$  4,5 mm nos pontos marcados anteriormente.
- Remova as rebarbas de todos os furos e coloque nos furos um produto anticorrosão.
- Aparafuse o suporte da câmara com os parafusos roscados de M5 x 20 mm.  
Consoante a espessura da estrutura, pode necessitar de parafusos roscados mais compridos.

## Realizar a fenda para o cabo de ligação da câmara (fig. 14, página 6)



### OBSERVAÇÃO

Utilize para a passagem do cabo de ligação, se possível, possibilidades de passagem existentes, por ex. grelhas de ventilação. Se não existirem quaisquer passagens, terá de fazer um furo com um  $\varnothing$  de 16 mm.



### NOTA! Perigo de danos!

Verifique antes se existe espaço livre suficiente para a saída da broca.

- Faça um furo nas proximidades da câmara com um  $\varnothing$  de 16 mm.
- Remova as rebarbas de todos os furos realizados na chapa e coloque nos furos um produto anticorrosão.
- Coloque em todas as passagens pontiagudas um bloco de ligação para a passagem dos cabos.

## Montar a câmara



### NOTA! Perigo de danos!

Utilize para a montagem da câmara apenas os parafusos juntamente fornecidos. Parafusos mais compridos danificam a câmara.

- Desloque a câmara para o suporte da câmara.
- Fixe a câmara **sem apertar muito** com os dois parafusos de M3 x 8 mm nos orifícios oblongos (fig. 15, página 6).
- Alinhe a câmara provisoriamente de forma a que a objetiva forme um ângulo de aprox. 50° em relação ao eixo vertical do veículo (fig. 16, página 7).



### NOTA! Perigo de danos!

Nunca monte a câmara sem a respetiva proteção.

## Efetuar a ligação elétrica da câmara



### OBSERVAÇÃO

- Passe o cabo da câmara de forma a que, em caso de uma desmontagem eventualmente necessária, se possa aceder facilmente à ligação de ficha entre a câmara e o cabo de extensão. A desmontagem ficará deste modo consideravelmente simplificada.
- De forma a minimizar a corrosão na ficha, aplique um pouco de massa lubrificante, por ex. massa própria para pinos, numa das fichas.
- Se necessário estão disponíveis cabos de extensão adicionais (ver capítulo "Acessório" na página 60).

- Conduza o cabo da câmara para o interior do veículo.
- Insira a ficha do cabo da câmara na tomada do cabo de extensão.
- Aparafuse o encaixe para proteção contra a penetração de água (fig. 17, página 7)

## Alinhar a câmara



### OBSERVAÇÃO

Para alinhar a câmara terá de, eventualmente, montar ainda um monitor e efetuar a respetiva ligação elétrica (ver o esquema de ligações de princípio fig. 18, página 7).

- Alinhe a câmara com base na imagem do monitor:  
A imagem do monitor deverá mostrar na margem inferior da imagem a traseira ou o pára-choques do seu veículo. O centro do pára-choques também deverá estar ao centro da imagem do monitor (fig. 19, página 7).
- Verifique o funcionamento da câmara, após a ter ligado a um monitor.

## Fixar a câmara

- Aperte os dois parafusos de fixação nos orifícios oblongos do suporte da câmara.
- Fixe as coberturas laterais com os dois parafusos de M3 x 8 mm nas perfurações centrais da rosca (fig. 20, página 8).

## 9 Conservar e limpar a câmara



### **NOTA! Perigo de danos!**

Não utilize materiais afiados ou duros para a limpeza, uma vez que podem causar danos no aparelho.

- ▶ De vez em quando, limpe a câmara com um pano macio humedecido.

## 10 Garantia

É válido o prazo de garantia legal. Se o produto estiver com defeito, por favor, dirija-se à representação do fabricante no seu país (endereços, ver verso do manual) ou ao seu revendedor.

Para fins de reparação ou de garantia, terá de enviar os seguintes documentos:

- componentes com defeito,
- uma cópia da fatura com a data de aquisição,
- um motivo de reclamação ou uma descrição da falha.

## 11 Eliminação

- ▶ Sempre que possível, coloque o material de embalagem no respectivo contentor de reciclagem.



Para colocar o aparelho definitivamente fora de funcionamento, por favor, informe-se junto do centro de reciclagem mais próximo ou revendedor sobre as disposições de eliminação aplicáveis.

**12 Dados técnicos**

<b>PerfectView CAM80CM</b>		
N.º art.:	9600000049	9600000198
Sensor de imagem	1/3" CCD	
Pontos de imagem:	aprox. 270000 Pixel	
Padrão de vídeo:	PAL, 1 Vpp	NTSC, 1 Vpp
Sensibilidade:	< 1 Lux	
Ângulo de visão:	aprox. 145° diagonal aprox. 100° horizontal aprox. 72° vertical	
Tensão de funcionamento:	11 - 16 V==	
Consumo:	1,8 W	
Temperatura de funcionamento:	-20 °C a +65 °C	
Classe de proteção:	IP68	
Resistência à vibração:	6g	
Dimensões L x A x P (com suporte):	106 x 68 x 54 mm	
Peso:	aprox. 0,35 kg	

**Certificações**

O aparelho possui a certificação E13.



**Prima di effettuare il montaggio e la messa in funzione leggere accuratamente questo manuale di istruzioni, conservarlo e in caso di trasmissione del prodotto, consegnarlo all'utente successivo.**

## Indice

1	Spiegazione dei simboli	69
2	Indicazioni di sicurezza e montaggio	70
3	Dotazione	72
4	Accessori	72
5	Uso conforme alla destinazione	73
6	Descrizione tecnica	73
7	Indicazioni per l'allacciamento elettrico	73
8	Montaggio della telecamera	75
9	Cura e pulizia della telecamera	79
10	Garanzia	79
11	Smaltimento	79
12	Specifiche tecniche	80

## 1 Spiegazione dei simboli



### AVVERTENZA!

**Avviso di sicurezza:** la mancata osservanza di questo avviso può causare ferite gravi anche mortali.



### ATTENZIONE!

**Avviso di sicurezza:** la mancata osservanza di questo avviso può essere causa di lesioni.



### AVVISO!

La mancata osservanza di questa nota può causare danni materiali e compromettere il funzionamento del prodotto.



### NOTA

Informazioni integranti relative all'impiego del prodotto.

## 2 Indicazioni di sicurezza e montaggio

Il produttore non si assume nessuna responsabilità per danni nei seguenti casi:

- errori di montaggio o di allacciamento
- danni al prodotto dovuti a influenze meccaniche o a sovratensioni
- modifiche al prodotto senza esplicita autorizzazione del produttore
- impiego per altri fini rispetto a quelli descritti nel manuale di istruzioni

### Osservare le indicazioni di sicurezza e le direttive previste dal produttore del veicolo e dagli specialisti del settore!



#### AVVERTENZA!

Collegamenti elettrici inadeguati possono provocare in caso di cortocircuito:

- bruciatura di cavi,
- attivazione dell'airbag,
- danneggiamento ai dispositivi elettronici di controllo,
- guasti delle funzioni elettriche (lampeggiatore, luce di arresto, segnalatore acustico, accensione, luce di marcia).



#### AVVISO!

Per scongiurare il pericolo di un cortocircuito, staccare sempre il polo negativo, prima di eseguire qualsiasi lavoro al sistema elettrico del veicolo.

È necessario staccare il polo negativo della batteria anche quando si tratta di veicoli con batteria ausiliare.

Osservare perciò le seguenti indicazioni:

- Per l'esecuzione dei lavori alle seguenti linee, impiegare solamente spine, spine femmina piatte e capicorda isolati:
  - 30 (ingresso diretto del polo positivo della batteria)
  - 15 (polo positivo inserito, dietro batteria)
  - 31 (cavo di ritorno dalla batteria, a massa)
  - L (lampeggiatori a sinistra)
  - R (lampeggiatori a destra)

**Non** impiegare morsetti.

- Impiegare una pinza a crimpare per collegare i cavi.
- Collegare il cavo con viti agli allacciamenti sulla linea 31 (a massa)
  - con capocorda e rosetta elastica dentata piana ad una vite di massa propria del veicolo o
  - con capocorda e vite autofilettante alla lamiera della carrozzeria.

Accertarsi che ci sia un buon collegamento di massa!

Quando si stacca il polo negativo della batteria tutte le memorie volatili del sistema dell'elettronica per funzioni comfort perdono i dati memorizzati.

- A seconda dell'equipaggiamento del veicolo devono essere reimpostati i seguenti dati per:
  - codice radio
  - orologio
  - timer
  - computer di bordo
  - posizione sedile

Per indicazioni relative all'impostazione consultare le istruzioni per l'uso valide di volta in volta.

Osservare le seguenti indicazioni per il montaggio



### ATTENZIONE!

- Fissare i componenti montati nel veicolo in modo che non possano staccarsi, (ad es. in caso di frenate brusche o incidenti) e non possano portare al **ferimento dei passeggeri**.
- Fissare i componenti del sistema non a vista da applicare sotto il rivestimento in modo tale che non possano staccarsi o danneggiare altri componenti e cavi e compromettere le funzioni del veicolo (sterzo, pedali ecc.).
- Osservare sempre le indicazioni di sicurezza del produttore del veicolo. Alcuni lavori (ad es. ai sistemi di arresto quali AIRBAG ecc.) devono essere eseguiti esclusivamente da personale qualificato addestrato.



### AVVISO!

- Durante i lavori di trapanatura, assicurarsi che ci sia spazio sufficiente per l'uscita del trapano per evitare eventuali danni.
- Sbavare ogni foro e trattarlo con antiruggine.

Osservare le seguenti indicazioni durante l'esecuzione dei lavori ai componenti elettrici:



### AVVISO!

- Per il controllo della tensione nelle linee elettriche utilizzare unicamente una lampada campione a diodi oppure un voltmetro.  
Le lampade campione con un corpo luminoso assorbono correnti troppo elevate rischiando così di danneggiare il sistema elettronico del veicolo.
- Durante la disposizione degli allacciamenti elettrici fare in modo che questi
  - non vengano torti o piegati,
  - non sfreghino contro spigoli,
  - non vengano posati in canaline con spigoli vivi senza protezione.
- Isolare tutti i collegamenti e gli allacciamenti.
- Con fascette serracavi o con nastro isolante fissare i cavi, ad es. alle linee disponibili, per proteggerli dalle sollecitazioni meccaniche.

La telecamera è a tenuta stagna. Le guarnizioni della telecamera però non resistono al getto di una idropulitrice (fig. **4**, pagina 4). È opportuno perciò osservare le seguenti indicazioni per l'impiego della telecamera:

- Non aprire la telecamera in quanto ne verrebbero compromesse la tenuta e la funzionalità (fig. **5**, pagina 4).
- Non tirare i cavi perché la tenuta e la funzionalità della telecamera verrebbero compromesse (fig. **6**, pagina 4).
- La telecamera non è subacquea quindi non adatta per immersioni (vedi fig. **7**, pagina 4).

### 3 Dotazione

N. in fig. <b>8</b> , pagina 5	Quantità	Denominazione	N. art.
1	1	telecamera a colori CAM80CM	9600000049 (PAL)/ 9600000198 (NTSC)
2	1	supporto della telecamera	9102200073
3	2	coperture laterali	
4	1	cavo di prolunga	9102200030
-	1	materiale di fissaggio	

### 4 Accessori

Disponibile come accessorio (non in dotazione):

Denominazione	N. art.
Cavo di prolunga 5 m	91022000028
Cavo di prolunga 8 m	91022000029
Cavo di prolunga 20 m	91022000030
Cavo a spirale per caravanning	91022000031



## 5 Uso conforme alla destinazione

La telecamera a colori CAM80CM è concepita principalmente per l'impiego in veicoli. Può essere applicata in videosistemi che servono a controllare l'area circostante il veicolo dal sedile di guida, ad es. in fase di manovra o di parcheggio.



### AVVERTENZA!

Pericolo di danni a persone causati dal veicolo.

I videosistemi di retromarcia rappresentano un aiuto nelle manovre di retromarcia, tuttavia **non** esulano il conducente **dal dovere di guidare con particolare prudenza durante le manovre di retromarcia.**

## 6 Descrizione tecnica

La telecamera è collocata in un alloggiamento in alluminio e trasmette immagini e suoni attraverso un cavo collegato ad un monitor. I LED a raggi infrarossi consentono una migliore visibilità notturna.

La telecamera trasmette l'immagine come se l'utente guardasse nello specchietto retrovisore.

La telecamera è dotata inoltre dei seguenti componenti:

N. in fig. 9, pagina 5	Denominazione
1	Cavo di allacciamento a 6 poli
2	Microfono
3	LED a raggi infrarossi

## 7 Indicazioni per l'allacciamento elettrico

### 7.1 Posa dei cavi



### AVVISO! Pericolo di danni!

- Prima di effettuare dei fori, assicurarsi che ci sia spazio sufficiente per l'uscita della punta da trapano.
- Pose e collegamenti dei cavi non eseguiti a regola d'arte portano sempre a malfunzionamenti o danni degli elementi costruttivi. Un'esecuzione corretta della posa e del collegamento dei cavi rappresenta il presupposto essenziale per un funzionamento duraturo e corretto dei componenti dell'equipaggiamento ausiliario.
- I cavi non devono venire in contatto per un periodo prolungato con solventi come ad es. benzina, poiché possono esserne danneggiati.

Osservare perciò le seguenti indicazioni:

- Per il passaggio del cavo di allacciamento impiegare, a seconda delle possibilità, canaline originali o altri tipi di aperture, ad es. spigoli dei pannelli interni, griglie di aerazione oppure interruttori finti. Se non ci sono aperture disponibili, occorre realizzare fori corrispondenti per i vari cavi. Verificare prima che ci sia uno spazio sufficiente per l'uscita del trapano.
- Quando è possibile, posare i cavi sempre all'interno del veicolo perché qui sono più protetti che al suo esterno.  
Se tuttavia i cavi devono essere posati all'esterno del veicolo assicurarsi che siano fissati in modo sicuro (mediante fascette serracavi supplementari, nastro isolante e simili).
- Nel posare i cavi fare in modo che ci sia sempre una distanza sufficiente da elementi caldi e rotanti del veicolo (tubi di scarico, alberi motore, alternatore, ventola e simili), per evitare danni al cavo. Per proteggere le parti meccaniche utilizzare un tubo ondulato o materiali di protezione simili.
- Per proteggere dalla penetrazione d'acqua, evitare il collegamento a spina (fig. 17, pagina 7).
- Durante la posa dei cavi assicurarsi che questi
  - non vengano torti o piegati eccessivamente,
  - non sfreghino contro spigoli,
  - non vengano posati in canaline con spigoli vivi senza protezione (vedi fig. 3, pagina 4).
- Fissare i cavi in modo sicuro nel veicolo per evitare che si impiglino (pericolo di crollo). A questo scopo utilizzare fascette serracavi, nastro isolante o adesivi.
- Prendere le dovute precauzioni per proteggere ogni apertura realizzata nella carrozzeria in modo che non penetri acqua, ad es. mediante l'introduzione del cavo con materiale sigillante e spruzzando mastice sul cavo e sulla boccola passacavo.

**NOTA**

Iniziare l'impermeabilizzazione delle aperture solo dopo aver terminato i lavori di installazione della telecamera e aver stabilito le lunghezze necessarie dei cavi di allacciamento.

## 8 Montaggio della telecamera

### 8.1 Attrezzi necessari

Per l'**installazione e il montaggio** sono necessari i seguenti attrezzi:

- set di punte da trapano (fig. **1** 1, pagina 3)
- trapano (fig. **1** 2, pagina 3)
- cacciaviti (fig. **1** 3, pagina 3)
- set di chiavi ad anello o chiavi fisse (fig. **1** 4, pagina 3)
- metro (fig. **1** 5, pagina 3)
- martello (fig. **1** 6, pagina 3)
- punzoni (fig. **1** 7, pagina 3)

Per l'**allacciamento elettrico** e per il controllo dello stesso sono necessari i seguenti ausili:

- lampada campione a diodi (fig. **1** 8, pagina 3) oppure voltmetro (vedi fig. **1** 9, pagina 3)
- pinza crimpatrice (fig. **1** 10, pagina 3)
- nastro isolante (fig. **1** 11, pagina 3)
- evt. boccole passacavi

Per il **fissaggio dei cavi** sono necessarie eventualmente anche altre fascette serracavi.

### 8.2 Montaggio della telecamera



#### ATTENZIONE!

Scegliere l'ubicazione della telecamera e fissarla saldamente in modo tale da impedire in qualsiasi situazione che possano venire ferite persone che si trovano nelle vicinanze, per es. se la telecamera viene staccata da rami bassi che strisciano sul tetto del veicolo.



#### NOTA

Se con l'installazione della telecamera vengono modificate l'altezza o la lunghezza del veicolo rispetto a quelle indicate nella carta di circolazione è necessario fare eseguire un nuovo collaudo dagli enti competenti.

Far registrare il nuovo collaudo sulla carta di circolazione dall'ente per la circolazione stradale competente.

Osservare le seguenti indicazioni per il montaggio:

- Applicare la telecamera ad almeno 2 metri di altezza, per ottenere un angolo di visibilità ragionevole.  
Durante il montaggio assicurarsi che si disponga di una superficie di ampiezza e stabilità sufficienti per lavorare.

- Assicurarsi che la telecamera sia montata in modo sufficientemente stabile (ad es. è possibile che passando sotto ad alberi i rami si possano impigliare nella telecamera sul tetto).
- Montare il supporto della telecamera in orizzontale e disporlo centralmente sulla parte posteriore del veicolo (fig. **10**, pagina 6).
- Il modo migliore per fissare la telecamera è con viti che passano attraverso la carrozzeria. Osservare quindi le seguenti indicazioni:
  - Dietro alla posizione scelta per il montaggio ci deve essere sufficiente spazio per permettere il montaggio.
  - Tenere presente che ogni apertura deve essere protetta con misure adeguate contro la penetrazione d'acqua (ad es. utilizzando viti con mastice e/o spruzzando mastice sui componenti di fissaggio esterni).
  - La struttura corrispondente alla zona di fissaggio deve offrire sufficiente solidità in modo che il supporto della telecamera possa essere stretto adeguatamente.
- Prima controllare che ci sia uno spazio sufficiente per l'uscita del trapano (fig. **2**, pagina 4).
- Se si nutrono dubbi sulla sicurezza del luogo di montaggio prescelto, consigliamo di richiedere informazioni presso il costruttore della carrozzeria o presso una filiale.

**NOTA**

Per ridurre al minimo la corrosione delle viti, lubrificare la filettatura.

Per eseguire il montaggio procedere come segue:

- Tenere il supporto della telecamera sul luogo di montaggio prescelto e contrassegnare almeno due diversi punti per la trapanatura (fig. **11**, pagina 6).
- Punzonare i punti precedentemente contrassegnati usando martello e punzoni per impedire una deviazione del trapano.

**Per avvitare la telecamera con viti per lamiera (fig. **12**, pagina 6)****AVVISO! Pericolo di danni!**

Il fissaggio con viti per lamiera deve essere eseguito solo in lamiere d'acciaio con uno spessore minimo di 1,5 mm.

- Su tutti i punti precedentemente contrassegnati realizzare un foro del  $\varnothing$  di 4 mm.
- Sbavare ogni foro e trattarlo con antiruggine.
- Avvitare il supporto della telecamera con le viti per lamiera 5 x 20 mm.

## Per fissare la telecamera con viti maschianti attraverso la carrozzeria del veicolo (fig. 13, pagina 6)



### AVVISO! Pericolo di danni!

Assicurarsi che durante il serraggio i dadi non trapassino la carrozzeria. Impiegare eventualmente rondelle di spessore maggiore o piastre in lamiera.

- Su tutti i punti precedentemente contrassegnati realizzare un foro del Ø di 4,5 mm.
- Sbavare ogni foro e trattarlo con antiruggine.
- Avvitare il supporto della telecamera con le viti maschianti M5 x 20 mm. A seconda dello spessore della carrozzeria sono necessarie viti maschianti più lunghe.

## Realizzazione dell'apertura per il passaggio del cavo di allacciamento della telecamera (fig. 14, pagina 6)



### NOTA

Per il passaggio del cavo di allacciamento, utilizzare, a seconda delle possibilità, aperture già esistenti, per es. griglie di aerazione. Se non ci sono aperture disponibili, occorre realizzare un foro del Ø di 16 mm.



### AVVISO! Pericolo di danni!

Prima controllare che ci sia uno spazio sufficiente per l'uscita del trapano.

- Realizzare un foro del Ø di 16 mm in prossimità della telecamera.
- Sbavare ogni foro realizzato sulla lamiera e trattarlo con antiruggine.
- Dotare tutte le canaline con spigoli vivi di una boccola passacavo.

## Montaggio della telecamera



### AVVISO! Pericolo di danni!

Per montare la telecamera impiegare unicamente le viti comprese nella fornitura. Viti più lunghe danneggiano la telecamera.

- Inserire la telecamera nel relativo supporto.
- Fissare la telecamera avvitandola **senza bloccarla** con le due viti M3 x 8 mm nelle asole (fig. 15, pagina 6).
- Orientare provvisoriamente la telecamera in modo tale che l'obiettivo formi un angolo di circa 50° con l'asse verticale del veicolo (fig. 16, pagina 7).



### AVVISO! Pericolo di danni!

Non montare mai la telecamera senza il tappo di protezione per l'obiettivo.

## Allacciamento elettrico della telecamera



### NOTA

- Posare il cavo della telecamera in modo tale da arrivare senza difficoltà alla connessione a spina fra la telecamera e il cavo di prolunga nel caso in cui si debba eventualmente smontare la telecamera. Lo smontaggio viene in questo modo notevolmente facilitato.
- Per ridurre al minimo il grado di corrosione nella spina, consigliamo di spalmare su una delle spine uno strato di grasso, ad es. grasso per poli della batteria.
- Se necessario sono disponibili altri cavi di prolunga (vedi capitolo "Accessori" a pagina 72).

- Far passare il cavo della telecamera all'interno del veicolo.
- Inserire la spina del cavo della telecamera nella presa del cavo di prolunga.
- Per proteggere dalla penetrazione d'acqua, avvitare il collegamento a spina (fig. 17, pagina 7).

## Orientamento della telecamera



### NOTA

Per orientare la telecamera può essere eventualmente necessario montare prima un monitor ed effettuarne l'allacciamento elettrico (vedi lo schema di allacciamento di base fig. 18, pagina 7).

- Orientare la telecamera secondo l'immagine sul monitor:  
l'immagine sul monitor deve mostrare sul margine inferiore la parte posteriore ovvero il paraurti del veicolo. La parte centrale del paraurti dovrebbe trovarsi al centro del monitor (fig. 19, pagina 7).
- Verificare il funzionamento della telecamera dopo averla collegata ad un monitor.

## Fissaggio della telecamera

- Serrare entrambe le viti di fissaggio nelle asole del supporto della telecamera.
- Fissare le coperture laterali con entrambe le viti M3 x 8 mm nei fori maschiati medi (fig. 20, pagina 8).

## 9 Cura e pulizia della telecamera



### **AVVISO! Pericolo di danni!**

Per la pulizia non impiegare detergenti corrosivi o oggetti ruvidi perché potrebbero provocare un danno agli apparecchi.

- Pulire la telecamera di tanto in tanto con un panno morbido umido.

## 10 Garanzia

Vale il termine di garanzia previsto dalla legge. Qualora il prodotto risultasse difettoso, La preghiamo di rivolgersi alla filiale del produttore del suo Paese (l'indirizzo si trova sul retro del manuale di istruzioni), oppure al rivenditore specializzato di riferimento.

Per la riparazione o il disbrigo delle condizioni di garanzia è necessario inviare quanto segue:

- i componenti difettosi,
- una copia della fattura con la data di acquisto del prodotto,
- un motivo su cui fondare il reclamo, oppure una descrizione del guasto.

## 11 Smaltimento

- Raccogliere il materiale di imballaggio possibilmente negli appositi contenitori di riciclaggio.



Quando il prodotto viene messo fuori servizio definitivamente, informarsi al centro di riciclaggio più vicino, oppure presso il proprio rivenditore specializzato, sulle prescrizioni adeguate concernenti lo smaltimento.

## 12 Specifiche tecniche

		<b>PerfectView CAM80CM</b>	
N. art.:	9600000049	9600000198	
Sensore di immagine:	1/3" CCD		
Punti immagine:	ca. 270000 pixel		
Standard video:	PAL, 1 Vpp	NTSC, 1 Vpp	
Sensibilità:	< 1 lux		
Angolo di visibilità:	ca. 145° in diagonale ca. 100° in orizzontale ca. 72° in verticale		
Tensione di esercizio:	11 - 16 V==		
Consumo:	1,8 W		
Temperatura di esercizio:	-20 °C fino a +65 °C		
Classe di protezione:	IP68		
Resistenza alle vibrazioni:	6g		
Dimensioni L x A x P (con supporto):	106 x 68 x 54 mm		
Peso:	ca. 0,35 kg		

### Omologazioni

L'apparecchio dispone dell'omologazione E13.





**Lees deze handleiding voor de montage en de ingebruikname zorgvuldig door en bewaar hem. Geef de handleiding bij het doorgeven van het product aan de gebruiker.**

## Inhoudsopgave

1	Verklaring van de symbolen . . . . .	81
2	Veiligheids- en montage-instructies . . . . .	82
3	Omvang van de levering . . . . .	84
4	Toebehoren . . . . .	84
5	Reglementair gebruik . . . . .	85
6	Technische beschrijving . . . . .	85
7	Instructies voor de elektrische aansluiting . . . . .	85
8	Camera monteren . . . . .	87
9	Camera onderhouden en reinigen . . . . .	91
10	Garantie . . . . .	91
11	Afvoer . . . . .	91
12	Technische gegevens . . . . .	92

## 1 Verklaring van de symbolen



### **WAARSCHUWING!**

**Veiligheidsaanwijzing:** Het niet naleven kan leiden tot overlijden of ernstig letsel.



### **VOORZICHTIG!**

**Veiligheidsaanwijzing:** Het niet naleven kan leiden tot letsel.



### **LET OP!**

Het niet naleven ervan kan leiden tot materiële schade en de werking van het product beperken.



### **INSTRUCTIE**

Aanvullende informatie voor het bedienen van het product.

## 2 Veiligheids- en montage-instructies

De fabrikant kan in de volgende gevallen niet aansprakelijk worden gesteld voor schade:

- montage- of aansluitfouten
- beschadiging van het product door mechanische invloeden en overspanningen
- veranderingen aan het product zonder uitdrukkelijke toestemming van de fabrikant
- gebruik voor andere dan de in de handleiding beschreven toepassingen

### Neem de veiligheidsinstructies en voorschriften van de fabrikant van het voertuig en het garagebedrijf in acht!



#### WAARSCHUWING!

Ontoereikende leidingverbindingen kunnen tot gevolg hebben, dat door kortsluiting

- kabelbranden ontstaan,
- de airbag wordt geactiveerd,
- elektronische besturingsinrichtingen worden beschadigd,
- elektrische functies uitvallen (knipperlicht, remlicht, claxon, contact, licht).



#### LET OP!

In verband met kortsluitingsgevaar moet voor werkzaamheden aan het elektrische systeem van het voertuig altijd de minpool worden losgekoppeld.

Bij voertuigen met een extra accu moet ook hier de minpool worden losgekoppeld.

Neem daarom de volgende instructies in acht:

- Gebruik bij werkzaamheden aan de volgende leidingen alleen geïsoleerde kabelschoenen, stekkers en vlaksteker-kabelschoenen:
  - 30 (ingang van accu plus direct)
  - 15 (geschakelde plus, achter accu)
  - 31 (retourleiding vanaf accu, massa)
  - L (richtingaanwijzers links)
  - R (richtingaanwijzers rechts)

Gebruik **geen** kroonstenen.

- Gebruik een krimptang voor het verbinden van de kabels.
- Schroef de kabel bij aansluitingen aan leiding 31 (massa)
  - met kabelschoen en getande ring aan een massaschroef van het voertuig of
  - met kabelschoen en plaatschroef aan de carrosserieplaat.

Let op een goede massaverbinding!

Bij het loskoppelen van de minpool van de accu verliezen alle vluchtige geheugens van de elektronica voor comfortvoorzieningen de opgeslagen data.

- De volgende data moet u afhankelijk van de voertuiguitrusting opnieuw instellen:
  - radiocode
  - voertuigklok
  - tijdschakelklok
  - boordcomputer
  - stoelinstelling

Instructies voor het instellen vindt u in de betreffende gebruiksaanwijzing.

Neem bij de montage de volgende instructies in acht:



### VOORZICHTIG!

- Bevestig de in het voertuig te monteren delen zodanig, dat deze in geen geval (hard remmen, verkeersongeval) los kunnen raken en tot **verwondingen bij de inzittenden van het voertuig** kunnen leiden.
- Bevestig onderdelen die afgedekt onder bekledingen moeten worden aangebracht zodanig, dat ze niet losraken of andere onderdelen en leidingen beschadigen en geen functies van het voertuig (besturing, pedalen etc.) kunnen beperken.
- Neem altijd de veiligheidsinstructies van de fabrikant van het voertuig in acht. Een paar werkzaamheden (bijv. aan beveiligingssystemen zoals AIRBAG etc.) mogen alleen door geschoolde vaklui uitgevoerd worden.



### LET OP!

- Let er bij het boren op dat er ook achter het te doorboren oppervlak genoeg ruimte is voor de boor, zo kunt u schade voorkomen.
- Ontbraam elk boorgat en behandel de boorgaten met antiroestmiddel.

Neem bij werkzaamheden aan elektrische onderdelen de volgende instructies in acht:



### LET OP!

- Gebruik voor het controleren van de spanning in elektrische leidingen alleen een diodetestlamp of een voltmeter. Testlampen met een lampbehuizing gebruiken te veel stroom, hierdoor kan de elektronica in het voertuig worden beschadigd.
- Let er bij het leggen van de elektrische aansluitingen op dat deze
  - niet worden geknikt of verdraaid,
  - niet langs randen schuren,
  - niet zonder bescherming door doorvoeren met scherpe randen worden gelegd.
- Isoleer alle verbindingen en aansluitingen.
- Borg de kabels tegen mechanische belasting met kabelverbinders of isolatieband, bijv. aan de aanwezige leidingen.

De camera is waterdicht. De afdichtingen van de camera beschermen echter niet tegen een hogedrukreiniger (afb. **4**, pagina 4). Neem daarom de volgende instructies voor de omgang met de camera in acht:

- Open de camera niet, aangezien hierdoor de dichtheid en werking van de camera beperkt kunnen worden (afb. **5**, pagina 4).
- Trek niet aan de kabels, aangezien hierdoor de dichtheid en werking van de camera beperkt kunnen worden (afb. **6**, pagina 4).
- De camera is niet voor gebruik onder water geschikt (afb. **7**, pagina 4).

### 3 Omvang van de levering

Nr. in afb. <b>8</b> , pagina 5	Aantal	Omschrijving	Artikel-nr.
1	1	Kleurencamera CAM80CM	9600000049 (PAL)/ 9600000198 (NTSC)
2	1	Camerahouder	9102200073
3	2	Zijafdekkingen	
4	1	Verlengkabels	9102200030
-	1	Bevestigingsmateriaal	

### 4 Toebehoren

Ale toebehoren verkrijgbaar (niet in de leveringsomvang inbegrepen):

Omschrijving	Artikel-nr.
Verlengkabel 5 m	91022000028
Verlengkabel 8 m	91022000029
Verlengkabel 20 m	91022000030
Spiraalkabel voor gebruik met aanhangwagen	91022000031

## 5 Reglementair gebruik

De kleurencamera CAM80CM is met name bestemd voor gebruik in voertuigen. Deze kan worden geïntegreerd in videosystemen die voor het waarnemen van het gebied rondom het voertuig vanuit de bestuurdersstoel dienen, bijv. bij het rangeren of parkeren.



### WAARSCHUWING!

Gevaar voor lichamelijk letsel door het voertuig.

Achteruitrijvideosystemen vormen een hulp bij het achteruitrijden, ze ontslaan u echter **niet** van **de bijzondere aandachtsplicht bij het achteruitrijden**.

## 6 Technische beschrijving

De camera is in een aluminiumbehuizing ondergebracht en brengt beeld en geluid via een kabel naar de monitor over. Door de infrarood-LED's wordt het nachtzicht verbeterd.

De camera geeft het beeld weer alsof u in de achteruigkijkspiegel kijkt.

De camera bestaat o.a. uit de volgende elementen:

Nr. in afb. 9, pagina 5	Omschrijving
1	6-polige aansluitkabel
2	Microfoon
3	Infrarood LED's

## 7 Instructies voor de elektrische aansluiting

### 7.1 Kabels aanleggen



#### LET OP! Gevaar voor beschadiging!

- Als u gaten boort, controleer dan voordien of er voldoende vrije ruimte voor de boor voorhanden is.
- Niet vakkundig aanleggen of verbinden van kabels leidt steeds weer tot storingen of beschadigingen van onderdelen. Het correct aanleggen en verbinden van kabels is een voorwaarde voor een duurzame en storingsvrije werking van de later gebouwde componenten.
- De kabels mogen niet lang met oplosmiddelen zoals b. v. benzine in aanraking komen, omdat oplosmiddelen de kabels beschadigen.

Neem daarom de volgende instructies in acht:

- Gebruik voor de doorvoer van de aansluitkabels indien mogelijk originele doorvoeren of andere doorvoermogelijkheden, zoals b. v. bekledingsranden, ventilatieroosters of blinde schakelaars. Als er geen doorvoeren voorhanden zijn, moet u voor de betreffende kabels bijbehorende gaten boren. Controleer van tevoren of er voldoende ruimte is voor de boor aan de achterkant.
- Leg de kabels indien mogelijk altijd binnen in het voertuig aan, want daar zijn ze beter beschermd dan buiten op het voertuig.  
Als u de kabels desondanks buiten op het voertuig aanlegt, let dan op een veilige bevestiging (door extra kabelbinders, isolatieband etc.).
- Houd bij het aanleggen van de kabels altijd voldoende afstand met hete en bewegende voertuigonderdelen (uitlaatpijpen, aandrijfassen, dynamo, ventilatoren, verwarming etc.) om beschadigingen aan de kabel te vermijden. Gebruik voor de mechanische bescherming ribbelbuis of dergelijke beschermingsmaterialen.
- Schroef de steekverbinding vast als bescherming tegen het binnendringen van water (afb. **17**, pagina 7).
- Let er bij het leggen van de kabels op dat deze
  - niet te zeer worden geknikt of verdraaid,
  - niet langs randen schuren,
  - niet zonder bescherming door doorvoeren met scherpe randen worden gelegd (afb. **3**, pagina 4).
- Bevestig de kabel veilig in het voertuig om verstrikken (gevaar om te vallen) te vermijden. Dit kan gebeuren door kabelbinders, isolatieband of door vastplakken met lijm.
- Bescherm iedere doorvoer aan de buitenkant d.m.v. geschikte maatregelen tegen het binnendringen van water, b. v. door de kabel met afdichtingspasta aan te brengen en door de kabel en de doorvoertule in te spuiten met afdichtingspasta.



### INSTRUCTIE

Begin met het afdichten van de doorvoeren pas, nadat alle instelwerkzaamheden aan de camera zijn afgesloten en de benodigde lengtes van de aansluitkabels vastliggen.

## 8 Camera monteren

### 8.1 Benodigd gereedschap

Voor **inbouw en montage** heeft u de volgende gereedschappen nodig:

- Set boren (afb. **1** 1, pagina 3)
- Boormachine (afb. **1** 2, pagina 3)
- Schroevendraaier (afb. **1** 3, pagina 3)
- Set ring- of steeksleutels (afb. **1** 4, pagina 3)
- Maatstaf (afb. **1** 5, pagina 3)
- Hamer (afb. **1** 6, pagina 3)
- Center (afb. **1** 7, pagina 3)

Voor de **elektrische aansluiting** en de controle daarvan heeft u de volgende hulpmiddelen nodig:

- Diode-testlamp (afb. **1** 8, pagina 3) of voltmeter (afb. **1** 9, pagina 3)
- Krimptang (afb. **1** 10, pagina 3)
- Isolatieband (afb. **1** 11, pagina 3)
- Evt. kabeldoorvoertulen

Voor het **bevestigen van de kabels** hebt u evt. nog meer kabelbinders nodig.

### 8.2 Camera monteren



#### VOORZICHTIG!

Kies de plaats van de camera zo en bevestig hem zo vast, dat in geen geval in de buurt staande personen gewond kunnen raken, b. v. omdat over het dak van het voertuig strijkende takken de camera afbreken.



#### INSTRUCTIE

Als door de aanbouw van de camera de voertuighoogte of voertuiglengte zoals aangegeven in de voertuigpapieren wordt veranderd, moet er een nieuwe inspectie door de betreffende instanties plaatsvinden (in Duitsland: TÜV, DEKRA etc.). Laat de nieuwe inspectie door de betreffende dienst voor wegverkeer in de voertuigpapieren zetten.

Neem bij de montage de volgende instructies in acht:

- Breng de camera voor een goed perspectief op minstens twee meter hoogte aan. Zorg bij de montage voor een voldoende stevige werkplek.
- Let erop, dat de montageplaats van de camera stevig genoeg is (er kunnen b. v. takken die tegen het dak komen, verstrikt raken in de camera).

- Monteer de camerahouder horizontaal en centraal achteraan het voertuig (afb. **10**, pagina 6).
- De veiligste manier van bevestigen zijn schroeven die door de opbouw gaan. Neem hierbij de volgende instructies in acht:
  - Achter de gekozen montagepositie moet voldoende vrije ruimte voor de montage voorhanden zijn.
  - Elke doorvoer moet door geschikte maatregelen tegen binnenkomend water beschermd worden (b. v. door het aanbrengen van de schroeven met afdichtingspasta en/of door de buitenste bevestigingsonderdelen met afdichtingspasta in te spuiten).
  - De opbouw aan de bevestigingsplaats moet voldoende stevigheid bieden, zodat de camerahouder voldoende stevig vastgedraaid kan worden.
- Controleer van tevoren, of er voldoende ruimte is voor de boor aan de achterkant (afb. **2**, pagina 4).
- Als u niet zeker bent over de door u gekozen montageplaats, neem dan contact op met de fabrikant van de opbouw of een vertegenwoordiger hiervan.

**INSTRUCTIE**

Om corrosie van de schroeven te minimaliseren wordt aanbevolen de schroefdraad in te vetten.

Ga bij de montage als volgt te werk:

- ▶ Houd de camerahouder op de gekozen montageplaats en markeer minstens 2 verschillende boorpunten (afb. **11**, pagina 6).
- ▶ Maak op de voordien gemarkeerde punten met hamer en center een gaatje om het verlopen van de boor te verhinderen.

**Als u de camera met plaatschroeven wilt aanbrengen (afb. **12**, pagina 6)****LET OP! Gevaar voor beschadiging!**

De bevestiging met plaatschroeven mag alleen in stalen platen met een minimumdikte van 1,5 mm gebeuren.

- ▶ Boor in de voordien gemarkeerde punten telkens een gat van  $\varnothing$  4 mm.
- ▶ Ontbraam alle boorgaten en behandel ze met antiroestmiddel.
- ▶ Breng de camerahouder met de plaatschroeven 5 x 20 mm aan.



## Als u de camera met tapschroeven door de opbouw wilt bevestigen (afb. 13, pagina 6)



### LET OP! Gevaar voor beschadiging!

Zorg ervoor dat de moeren bij het vastdraaien niet door de opbouw kunnen trekken. Gebruik evt. grotere onderlegschijven of platen.

- Boor in de voordien gemarkeerde punten telkens een gat van  $\varnothing$  4,5 mm.
- Ontbraam alle boorgaten en behandel ze met antiroestmiddel.
- Breng de camerahouder met de tapschroeven M5 x 20 mm aan.  
De lengte van de tapschroeven is afhankelijk van de dikte van de opbouw.

## Doorvoer voor de aansluitkabel van de camera maken (afb. 14, pagina 6)



### INSTRUCTIE

Gebruik voor de doorvoer van de aansluitkabels indien mogelijk reeds aanwezige doorvoermogelijkheden, b. v. ventilatieroosters. Als er geen doorvoeren zijn, moet u een gat van  $\varnothing$  16 mm boren.



### LET OP! Gevaar voor beschadiging!

Controleer van tevoren of er voldoende ruimte is voor de boor aan de achterkant.

- Boor in de buurt van de camera een gat van  $\varnothing$  16 mm.
- Ontbraam alle boorgaten, die in een metalen plaat zijn gemaakt en behandel ze met antiroestmiddel.
- Voorzie alle doorvoeren met scherpe randen van een doorvoertule.

## Camera monteren



### LET OP! Beschadigingsgevaar!

Gebruik voor de montage van de camera alleen de bijgeleverde schroeven. Langere schroeven beschadigen de camera.

- Schuif de camera in de camerahouder.
- Bevestig de camera **los** met de twee schroeven M3 x 8 mm in de langgaten (afb. 15, pagina 6).
- Richt de camera voorlopig zo uit dat het objectief een hoek van ca. 50° t.o.v. de verticale as van het voertuig vormt (afb. 16, pagina 7).



### LET OP! Beschadigingsgevaar!

Monteer de camera nooit zonder de camerabescherming.

## Camera elektrisch aansluiten



### INSTRUCTIE

- Plaats de camerakabel zodanig, dat u bij een eventueel noodzakelijke uitbouw van de camera makkelijk bij de stekerverbinding tussen camera en verlengkabel kunt komen. De demontage wordt daardoor aanzienlijk vereenvoudigd.
- Om corrosie in de stekker te minimaliseren, adviseren wij om een beetje vet, b. v. poolvet in een van de stekkers aan te brengen.
- Indien nodig zijn er verdere verlengkabels verkrijgbaar (zie hoofdstuk „Toebehoren” op pagina 84).

- Leid de camerakabel in het voertuig.
- Steek de stekker van de camerakabel in de stekkerbus van de verlengkabel.
- Schroef de steekverbinding vast als bescherming tegen het binnendringen van water (afb. **17**, pagina 7).

## Camera uitrichten



### INSTRUCTIE

Voor het uitrichten van de camera moet u evt. eerst nog een monitor monteren en elektrisch aansluiten (zie principeaansluitschema afb. **18**, pagina 7).

- Richt de camera aan de hand van het monitorbeeld uit:  
het monitorbeeld moet aan de onderste beeldrand de achterkant of de bumper van uw voertuig weergeven. Het midden van de bumper moet ook in het midden van het monitorbeeld zijn (afb. **19**, pagina 7).
- Controleer de werking van de camera nadat u ze aan een monitor aangesloten hebt.

## Camera bevestigen

- Draai de beide bevestigingsschroeven in de langgaten van de camerahouder vast.
- Bevestig de zijafdekkingen met de beide schroeven M3 x 8 mm in de middelste schroefdraadboringen (afb. **20**, pagina 8).

## 9 Camera onderhouden en reinigen



### **LET OP! Gevaar voor beschadiging!**

Voor het reinigen geen scherpe of bijtende middelen gebruiken, omdat dit kan leiden tot schade aan de toestellen.

- Reinig de camera af en toe met een zachte, vochtige doek.

## 10 Garantie

De wettelijke garantieperiode is van toepassing. Als het product defect is, wendt u zich tot het filiaal van de fabrikant in uw land (adressen zie achterkant van de handleiding) of tot uw speciaalzaak.

Voor de afhandeling van de reparatie of garantie dient u het volgende mee op te sturen:

- defecte onderdelen,
- een kopie van de factuur met datum van aankoop,
- reden van de klacht of een beschrijving van de storing.

## 11 Afvoer

- Laat het verpakkingsmateriaal indien mogelijk recyclen.



Als u het product definitief buiten bedrijf stelt, informeer dan bij het dichtstbijzijnde recyclingcentrum of uw speciaalzaak naar de betreffende afvoervoorschriften.

**12 Technische gegevens**

	<b>PerfectView CAM80CM</b>	
Artikelnr.:	9600000049	9600000198
Beeldsensor:	1/3" CCD	
Beeldpunten:	ca. 270000 pixels	
Videostandaard:	PAL, 1 Vpp	NTSC, 1 Vpp
Gevoeligheid:	< 1 lux	
Perspectief:	ca. 145° diagonaal ca. 100° horizontaal ca. 72° vertikaal	
Bedrijfsspanning:	11 - 16 V==	
Verbruik:	1,8 W	
Bedrijfstemperatuur:	-20 °C tot +65 °C	
Beschermingsklasse:	IP68	
Vibratievastheid:	6g	
Afmetingen b x h x d (met houder):	106 x 68 x 54 mm	
Gewicht:	ca. 0,35 kg	

**Certificaties**

Het toestel heeft het E13-certificaat.



Læs denne vejledning omhyggeligt igennem før installation og ibrugtagning, og opbevar den. Giv den til brugeren, hvis du giver produktet videre.

## Indholdsfortegnelse

1	Forklaring af symbolerne	93
2	Sikkerheds- og installationshenvisninger	94
3	Leveringsomfang	96
4	Tilbehør	96
5	Korrekt brug	96
6	Teknisk beskrivelse	97
7	Henvisninger til den elektriske tilslutning	97
8	Montering af kameraet	98
9	Vedligeholdelse og rengøring af kameraet	102
10	Garanti	102
11	Bortskaffelse	102
12	Tekniske data	103

## 1 Forklaring af symbolerne



### ADVARSEL!

**Sikkerhedshenvisning:** Manglende overholdelse kan medføre død eller alvorlig kvæstelse.



### FORSIGTIG!

**Sikkerhedshenvisning:** Manglende overholdelse kan medføre kvæstelser.



### VIGTIGT!

Manglende overholdelse kan medføre materielle skader og begrænse produktets funktion.



### BEMÆRK

Supplerende informationer om betjening af produktet.

## 2 Sikkerheds- og installationshenvvisninger

Producenten påtager sig intet ansvar for skader i følgende tilfælde:

- Monterings- eller tilslutningsfejl
- Beskadigelser på produktet på grund af mekanisk påvirkning og overspænding
- Ændringer på produktet uden udtrykkelig tilladelse fra producenten
- Anvendelse til andre formål end dem, der er beskrevet i vejledningen

**Overhold sikkerhedshenvisningerne og pålæggene, der er foreskrevet af køretøjsproducenten og af automobilbranchen.**



### ADVARSEL!

Utilstrækkelige ledningsforbindelser kan føre til, at en kortslutning

- fører til kabelbrand,
- udløser airbaggen,
- beskadiger elektroniske styreanordninger,
- forårsager, at elektriske funktioner svigter (blinklys, bremselys, horn, tænding, lys).



### VIGTIGT!

Afbryd på grund af faren for kortslutning altid minuspolen før arbejder på køretøjets el-system.

Ved køretøjer med ekstra batteri skal du også afbryde minuspolen på dette batteri.

Overhold derfor følgende henvvisninger:

- Anvend kun isolerede kabelsko, stik og fladstiksmuffer ved arbejder på de følgende ledninger:
  - 30 (indgang på batteri plus direkte)
  - 15 (tilkoblet plus, bag batteri)
  - 31 (tilbageføring fra batteri, stel)
  - L (blinklys til venstre)
  - R (blinklys til højre)

Anvend **ikke** kronemuffer.

- Anvend en krympetang til at forbinde kablerne.
- Skru ved tilslutninger til ledning 31 (stel) kablet
  - på en køretøjs egnet stelskrue ved hjælp af kabelsko og tandskive eller
  - på karosseripladen ved hjælp af kabelsko og pladeskrue.

Sørg for god stelforbindelse!

Når batteriets minuspol afbrydes, mister alle komfortelektronikkens flygtige lagre de gemte data.

- Afhængigt af køretøjets udstyr skal du indstille følgende data igen:
  - Radiokode
  - Køretøjets ur
  - Kontaktur
  - Køretøjets computer
  - Sædeposition

Henvisninger til indstillingen findes i den pågældende betjeningsvejledning.

Overhold følgende henvisninger ved monteringen:



### FORSIGTIG!

- Fastgør de dele, der er monteret i køretøjet, så de under ingen omstændigheder (hård opbremsning, trafikuheld) kan løsne sig og føre til **kvæstelse af dem, der sidder i køretøjet**.
- Fastgør de af systemets dele, der skal monteres skjult under beklædningerne, så de ikke kan løsne sig, beskadige andre dele og ledninger og begrænse køretøjets funktioner (styring, pedaler osv.).
- Læs altid sikkerhedshenvisningerne fra køretøjets producent. Nogle arbejder (f.eks. på fastholdelsessystemer som AIRBAG osv.) må kun foretages af uddannet fagpersonale.



### VIGTIGT!

- For at undgå skader, når du borer, skal du sørge for tilstrækkeligt frirum, hvor boret kommer ud.
- Fjern grater fra hvert hul, og behandl dem med rustbeskyttelsesmiddel.

Overhold følgende henvisninger ved arbejde på elektriske dele:



### VIGTIGT!

- Anvend kun en diodeprøvelampe eller et voltmeter til spændingskontrol i elektriske ledninger. Testlamper med et lyselement optager for høj strøm. Derved kan køretøjets elektronik beskadiges.
- Når de elektriske tilslutninger etableres, skal det sikres, at de
  - ikke knækkes eller snos,
  - ikke skurer mod kanter,
  - ikke trækkes uden beskyttelse mod gennemføringer med skarpe kanter.
- Isolér alle forbindelser og tilslutninger.
- Sørg for at sikre kablerne mod mekanisk belastning ved hjælp af kabelbindere eller isoleringsbånd, f.eks. på eksisterende ledninger.

Kameraet er vandtæt. Kameraets tætninger må dog ikke udsættes for en højtryksrensning (fig. 4, side 4). Overhold derfor følgende henvisninger til omgang med kameraet:

- Åbn ikke kameraet, da det reducerer dets tæthed og funktionsevne (fig. 5, side 4).
- Træk ikke i kablerne, da det reducerer kameraets tæthed og funktionsevne (fig. 6, side 4).
- Kameraet er ikke egnet til anvendelse under vand (fig. 7, side 4).

### 3 Leveringsomfang

Nr. på fig. 8, side 5	Mængde	Betegnelse	Artikel-nr.
1	1	Farvekamera CAM80CM	9600000049 (PAL)/ 9600000198 (NTSC)
2	1	Kameraholder	9102200073
3	2	Sideafdækninger	
4	1	Forlænger kabler	9102200030
-	1	Fastgørelsesmateriale	

### 4 Tilbehør

Kan fås som tilbehør (ikke indeholdt i leveringsomfanget):

Betegnelse	Artikel-nr.
Forlængerkabel 5 m	91022000028
Forlængerkabel 8 m	91022000029
Forlængerkabel 20 m	91022000030
Spiralkabel til anhængere	91022000031

### 5 Korrekt brug

Farvekameraet CAM80CM er først og fremmest beregnet til anvendelse i køretøjer. Det kan anvendes i videosystemer, der anvendes til at iagttage området omkring køretøjet fra førersædet, f.eks. når der rangeres eller parkeres.



#### ADVARSEL!

Fare for personskader på grund af køretøjet.

Bakkamerasystemer er en støtte, når der bakkes, men de fritager dig **ikke** fra **din pligt til at udvise særlig forsigtighed, når du bakker.**



## 6 Teknisk beskrivelse

Kameraet er placeret i et aluminiumskabinet og overfører billede og lyd til en monitor via et kabel. Med de infrarøde lysdioder forbedres natindstillingen.

Kameraet overfører billedet, som om du ser i bakspejlet.

Kameraet består bl.a. af følgende elementer:

Nr. på fig. <b>9</b> , side 5	Betegnelse
1	Tilslutningskabel med 6 ledere
2	Mikrofon
3	Infrarøde lysdioder

## 7 Henvisninger til den elektriske tilslutning

### 7.1 Trækning af kabler



#### **VIGTIGT! Fare for beskadigelse!**

- Hvis du borer huller, skal du forinden kontrollere, om der er tilstrækkeligt frirum, hvor boret kommer ud.
- Kabelføringer og kabelforbindelser, der ikke er korrekte, fører igen og igen til fejlfunktioner ved eller beskadigelser på komponenter. En korrekt kabelføring og kabelforbindelse er grundforudsætningen for, at de monterede komponenter fungerer konstant og fejlfrit.
- Kablerne må ikke komme i berøring med opløsningsmidler, som f.eks. benzin, i længere tid, da opløsningsmidler ville beskadige kablerne.

Overhold derfor følgende henvisninger:

- Anvend originale gennemføringer eller andre gennemføringsmuligheder, f.eks. beklædningskanter, ventilationsgitter eller blindstik, til gennemføringen af tilslutningskablerne. Hvis der ikke findes gennemføringer, skal du bore huller til de pågældende kabler. Kontrollér først, om der er tilstrækkeligt frirum, hvor boret kommer ud.
- Hvis det er muligt, skal kablerne altid trækkes inde i køretøjet. Dér er de bedre beskyttet end uden på køretøjet.  
Hvis du alligevel trækker kablerne uden på køretøjet, skal de fastgøres sikkert (med ekstra kabelbindere, isoleringsbånd osv.).
- For at undgå, at kablet beskadiges, skal der altid være tilstrækkelig afstand til dele på køretøjet, der er varme eller bevæger sig (udstødningsrør, drivakslar, dynamo, ventilatorer, varmeapparater osv.). Anvend bølgerør eller lignende beskyttelsesmaterialer til mekanisk beskyttelse.
- Skru stikforbindelsen sammen for at beskytte mod indtrængende vand (fig. **17**, side 7).

- Når kablerne trækkes, skal det sikres, at de
  - ikke knækkes eller snos kraftigt,
  - ikke skurer mod kanter,
  - ikke trækkes uden beskyttelse mod gennemføringer med skarpe kanter (fig. **3**, side 4).
- Fastgør kablerne sikkert inde i køretøjet for at undgå at hænge fast (fare for at falde). Dette kan foretages ved at anvende kabelbindere, isoleringsbånd eller ved fastklæbning med klæbemiddel.
- Beskyt hver gennemføring i karosseriets yderbeklædning mod indtrængende vand ved hjælp af egnede forholdsregler, f.eks. ved at isætte kablet med tætningsmasse og ved at sprøjte tætningsmasse på kablet og gennemføringsmuffen.

**BEMÆRK**

Begynd først at tætne gennemføringerne, når alle indstillingsarbejder på kameraet er afsluttet, og de nødvendige længder for tilslutningskablerne er bestemt.

## 8 Montering af kameraet

### 8.1 Nødvendigt værktøj

Til **installation og montering** har du brug for følgende værktøj:

- Sæt bor (fig. **1** 1, side 3)
- Boremaskine (fig. **1** 2, side 3)
- Skruetrækker (fig. **1** 3, side 3)
- Sæt ring- eller gaffelnøgler (fig. **1** 4, side 3)
- Målestok (fig. **1** 5, side 3)
- Hammer (fig. **1** 6, side 3)
- Kørner (fig. **1** 7, side 3)

Til den **elektriske tilslutning** og kontrollen af den har du brug for følgende hjælpemidler:

- Diodetestlampe (fig. **1** 8, side 3) eller voltmeter (fig. **1** 9, side 3)
- Krympetang (fig. **1** 10, side 3)
- Isoleringsbånd (fig. **1** 11, side 3)
- Evt. kabelgennemføringsmuffer

Til **fastgørelse af kablerne** har du evt. brug for yderligere kabelbindere.

## 8.2 Montering af kameraet



### FORSIGTIG!

Vælg pladsen for kameraet, og fastgør det så sikkert, at personer, der står i nærheden, under ingen omstændigheder kan komme til skade, f.eks. på grund af grene, der fejler hen over køretøjets tag og river kameraet ned.



### BEMÆRK

Hvis køretøjets højde eller længde, der er noteret i indregistreringspapirerne, ændres, når kameraet monteres, skal den ansvarlige myndighed (TUV, DEKRA osv.) foretage en ny godkendelse.

Lad den ansvarlige myndighed notere den nye godkendelse i indregistreringspapirerne.

Overhold følgende henvisninger ved monteringen:

- Placér af hensyn til en fornuftig synsvinkel kameraet i mindst to meters højde. Sørg for en tilstrækkelig stabil arbejdsplads ved monteringen.
- Kontrollér, at monteringsstedet for kameraet er tilstrækkeligt stabilt (f.eks. kan grene, der fejler hen over køretøjets tag, blive fanget i kameraet).
- Montér kameraholderen vandret og i midten bag på køretøjet (fig. 10, side 6).
- Den sikreste fastgørelse er skruer, der går gennem karosseriet. Overhold i den forbindelse følgende henvisninger:
  - Bag den valgte monteringsposition skal der være tilstrækkeligt frirum til monteringen.
  - Hver gennemføring skal beskyttes mod indtrængende vand ved hjælp af egnede forholdsregler (f.eks. ved at isætte skruer med tætningsmasse og/eller ved at sprøjte tætningsmasse på de ydre fastgørelsesdele).
  - Karosseriet på fastgørelsesstedet skal være tilstrækkeligt stabilt, så kameraholderen kan spændes tilstrækkeligt fast.
- Kontrollér først, om der er tilstrækkeligt frirum, hvor boret kommer ud (fig. 2, side 4).
- Hvis du er i tvivl om monteringsstedet, som du har valgt, skal du kontakte karosseriproducenten eller forhandleren.



### BEMÆRK

Smør fedt på gevindene for at begrænse korrosion på skruerne.

Gå frem på følgende måde ved monteringen:

- Hold kameraholderen på det valgte monteringssted, og markér mindst to forskellige borepunkter (fig. 11, side 6).
- Sørg for at kørne de tegnede punkter først med hammer og kørner for at undgå, at boret løber skævt.

**Hvis du vil skru kameraet fast med pladeskruer (fig. 12, side 6)****VIGTIGT! Fare for beskadigelse!**

Fastgørelsen med pladeskruer må kun foretages i stålplader med en minimumtykkelse på 1,5 mm.

- Bor et hul på  $\varnothing$  4 mm ved hver af de tegnede punkter.
- Fjern grater fra alle huller, og påfør rustbeskyttelse.
- Skru kameraholderen fast med pladeskruerne 5 x 20 mm.

**Hvis du vil fastgøre kameraet med gevindskruerne gennem karosseriet (fig. 13, side 6)****VIGTIGT! Fare for beskadigelse!**

Kontrollér, at møtrikkerne ikke kan trækkes gennem karosseriet, når de spændes. Anvend evt. større spændeskiver eller plader.

- Bor et hul på  $\varnothing$  4,5 mm ved hver af de tegnede punkter.
- Fjern grater fra alle huller, og påfør rustbeskyttelse.
- Skru kameraholderen fast med gevindskruerne M5 x 20 mm.  
Afhængigt af karosseriets tykkelse skal du evt. bruge længere gevindskruer.

**Etablering af gennemføring til kameraets tilslutningskabel (fig. 14, side 6)****BEMÆRK**

Anvend så vidt muligt eksisterende gennemføringsmuligheder, f.eks. ventilationsgitre, til gennemføring af tilslutningskablerne. Hvis der ikke er gennemføringer til rådighed, skal du bore et hul på  $\varnothing$  16 mm.

**VIGTIGT! Fare for beskadigelse!**

Kontrollér først, om der er tilstrækkeligt frirum, hvor boret kommer ud.

- Bor et hul på  $\varnothing$  16 mm i nærheden af kameraet.
- Fjern grater fra alle huller, der er boret i pladen, og påfør rustbeskyttelse.
- Sæt en gennemføringsmuffe i alle gennemføringer med skarpe kanter.

## Montering af kameraet



### VIGTIGT! Fare for beskadigelse!

Anvend kun de vedlagte skruer til at montere kameraet. Længere skruer beskadiger kameraet.

- Skub kameraet ind i kameraholderen.
- Fastgør kameraet **løst** med de to skruer M3 x 8 mm (fig. **15**, side 6).
- Indstil kameraet provisorisk, så objektivet danner en vinkel på ca. 50° i forhold til køretøjets lodrette akse (fig. **16**, side 7).



### VIGTIGT! Fare for beskadigelse!

Monter aldrig kameraet uden kamerabeskyttelsen.

## Elektrisk tilslutning af kameraet



### BEMÆRK

- Træk kamerakablet, så du nemt kan nå stikforbindelsen mellem kamera og forlængerkabel, hvis det evt. bliver nødvendigt at afmontere kameraet. Afmonteringen gøres derved betydeligt enklere.
- Smør lidt fedt, f.eks. polfedt, i et af stikkene for at begrænse korrosion i stikket.
- Ved behov kan der bestilles yderligere forlængerkabler (se kapitlet „Tilbehør“ på side 96).

- Træk kamerakablet inde i køretøjet.
- Sæt kamerakablets stik i forlængerkablets bøsning.
- Skru stikforbindelsen sammen for at beskytte mod indtrængende vand (fig. **17**, side 7).

## Indstilling af kameraet



### BEMÆRK

For at indstille kameraet skal du evt. først montere endnu en monitor og tilslutte den elektrisk (se principielt strømskema fig. **18**, side 7).

- Indstil kameraet ved hjælp af monitorbilledet:  
Monitorbilledet skal på billedets nederste kant vise bagenden eller kofangeren på køretøjet. Midten af kofangeren skal også være midt i monitorbilledet (fig. **19**, side 7).
- Kontrollér, at kameraet fungerer, når du har tilsluttet det til en monitor.

## Fastgørelse af kameraet

- ▶ Spænd de to fastgørelsesskruer fast i kameraholderens langhuller.
- ▶ Fastgør sideafdækningerne i de midterste gevindhuller med de to skruer M3 x 8 mm (fig. 20, side 8).

## 9 Vedligeholdelse og rengøring af kameraet



### VIGTIGT! Fare for beskadigelse!

Anvend ikke skarpe eller hårde midler til rengøring, da det kan beskadige apparaterne.

- ▶ Rengør af og til kameraet med en blød, fugtig klud.

## 10 Garanti

Den lovbestemte garantiperiode gælder. Hvis produktet er defekt, skal du kontakte producentens afdeling i dit land (adresser, se vejledningens bagside) eller din forhandler.

Ved reparation eller krav om garanti skal du indsende følgende:

- Defekte komponenter
- En kopi af regningen med købsdato
- En reklamationsgrund eller en fejlbeskrivelse

## 11 Bortskaffelse

- ▶ Bortskaf så vidt muligt emballagen sammen med det tilsvarende genbrugsaffald.



Hvis du tager produktet endegyldigt ud af drift, skal du kontakte det nærmeste recyclingcenter eller din faghandel for at få de pågældende forskrifter om bortskaffelse.

**12 Tekniske data**

	<b>PerfectView CAM80CM</b>	
Art.nr.:	9600000049	9600000198
Billedsensor:	1/3" CCD	
Billedpunkter:	ca. 270000 pixel	
Videostandard:	PAL, 1 Vpp	NTSC, 1 Vpp
Følsomhed:	< 1 lux	
Synsvinkel:	ca. 145° diagonal ca. 100° horisontal ca. 72° vertikal	
Driftsspænding:	11 - 16 V==	
Forbrug:	1,8 W	
Driftstemperatur:	-20 °C til +65 °C	
Kapslingsklasse:	IP68	
Vibrationsstyrke:	6g	
Mål B x H x D (med holder):	106 x 68 x 54 mm	
Vægt:	ca. 0,35 kg	

**Godkendelser**

Apparatet har E13-godkendelsen.



**Läs igenom anvisningarna noga innan produkten monteras och används. Spara monterings- och bruksanvisningen för senare bruk. Överlämna bruksanvisningen till den nya ägaren vid ev. vidareförsäljning.**

## Innehållsförteckning

1	Förklaring till symboler .....	104
2	Säkerhets- och installationsanvisningar .....	105
3	Leveransomfattning .....	107
4	Tillbehör .....	107
5	Ändamålsenlig användning .....	107
6	Teknisk beskrivning .....	108
7	Information om elektrisk anslutning .....	108
8	Montera kameran .....	109
9	Skötsel och rengöring av kameran .....	113
10	Garanti .....	113
11	Avfallshantering .....	113
12	Tekniska data .....	114

## 1 Förklaring till symboler



### **VARNING!**

**Observera:** Beaktas anvisningen ej kan det leda till dödsfara eller svåra skador.



### **AKTA!**

**Observera:** Beaktas anvisningen ej kan det leda till kroppsskador.



### **OBSERVERA!**

Om anvisningarna inte beaktas kan det leda till materialskador och produktens funktion kan påverkas negativt.



### **ANVISNING**

Kompletterande information om användning av produkten.



## 2 Säkerhets- och installationsanvisningar

Tillverkaren övertar inget ansvar för skador i följande fall:

- monterings- eller anslutningsfel
- skador på produkten, orsakade av mekanisk påverkan eller överspänning
- ändringar som utförts utan uttryckligt medgivande från tillverkaren
- ej ändamålsenlig användning

### Beakta säkerhetsanvisningarna och riktlinjerna från fordonstillverkaren samt reglerna för bilmekaniska arbeten!



#### VARNING!

Ej korrekt utförda anslutningar kan leda till kortslutning, som

- kan förorsaka kabelbrand,
- kan utlösa krockkudden,
- kan skada den elektroniska styrutrustningen,
- kan leda till att elektriska komponenter inte fungerar (blinkers, bromsljus, signalhorn, tändning, lyse).



#### OBSERVERA!

Koppla alltid från minuspolen i fordonets elsystem innan några arbeten utförs – annars finns risk för kortslutning.

Om fordonet har ett extra batteri måste minuspolen kopplas bort även på detta.

Beakta därför följande anvisningar:

- Använd endast isolerade kabelskor, stickkontakter och flathylsor vid arbeten på nedanstående ledningar:
  - 30 (ingång från batteri plus direkt)
  - 15 (tändningsplus, efter batteriet)
  - 31 (ledning från batteriet, jord)
  - L (blinkers, vänster)
  - R (blinkers, höger)

Använd **inga** anslutningsplintar.

- Använd en crimptång för att förbinda kablarna.
- Skruva, vid anslutningar till ledning 31 (jord),
  - fast kabeln på en jordskruv i fordonet med kabelsko och tandbricka eller
  - på karosseriplåten med kabelsko och plåtskruv.

Se till att jordledningen har god kontakt!

När batteriets minuspol kopplas bort försvinner all data ur komfortelektronikens flyktiga minnen.

- Beroende på fordonsutrustning måste följande data ställas in på nytt:
  - radiokod
  - klocka
  - timer
  - fordonsdator
  - sätesposition

Inställningarna beskrivs i respektive bruksanvisning.

Beakta följande anvisningar vid monteringen:



### AKTA!

- Fäst de delar som monteras i fordonet så att de inte kan lossna (t.ex. vid kraftiga bromsningar, trafikolyckor) och **skada personerna i fordonet**.
- Fäst de delar av systemet som monteras under täckplattor el.dyl. på så sätt att de inte kan lossna, eller skada andra delar och ledningar resp. störa några fordonsfunktioner (styrning, pedaler osv.).
- Beakta alltid fordonstillverkarens säkerhetsanvisningar. Vissa arbeten (t.ex. på säkerhetsutrustning som AIRBAG osv.) får endast utföras av behörigt fackfolk.



### OBSERVERA!

- Se till att det finns tillräckligt mycket plats för borrhålen så att inga delar skadas av misstag.
- Slipa graderna i borrhålen och behandla hålen med rostskyddsmedel.

Beakta följande anvisningar vid arbeten på elsystemet:



### OBSERVERA!

- Använd endast en diodtestlampa eller en voltmeter för att testa spänningen i elledningarna.  
Testlampor med andra ljuskällor förbrukar för mycket ström och kan på så sätt skada fordonselektroniken.
- Beakta, när elledningar dras, att
  - de inte böjs eller vrids,
  - de inte skaver mot kanter,
  - skydd används om de dras genom genomföringar med vassa kanter.
- Isolera alla ledningar och anslutningar.
- Skydda kablarna mot mekanisk belastning genom kabelband eller isoleringsband, t. ex. på befintliga ledningar.

Kameran är vattentät. Kamerans tätningar tål dock inte högtryckstvätt (bild **4**, sida 4). Beakta därför alltid nedanstående:

- Öppna inte kameran, det kan inverka negativt på kamerans täthet och funktion (bild **5**, sida 4).
- Dra inte i kablarna, det kan inverka negativt på kamerans täthet och funktion (bild **6**, sida 4).
- Kameran får inte användas under vatten (bild **7**, sida 4).

### 3 Leveransomfattning

Nr på	Mängd	Beteckning	Artikel-nr
1	1	färgkamera CAM80CM	9600000049 (PAL)/ 9600000198 (NTSC)
2	1	kamerafäste	9102200073
3	2	sidoskydd	
4	1	förlängningskabel	9102200030
-	1	monteringsmaterial	

### 4 Tillbehör

Finns som tillbehör (medföljer inte leveransen):

Beteckning	Artikel-nr
Förlängningskabel 5 m	91022000028
Förlängningskabel 8 m	91022000029
Förlängningskabel 20 m	91022000030
Spiralkabel för släpvagnskoppling	91022000031

### 5 Ändamålsenlig användning

Färgkameran CAM80CM är framför allt avsedd för användning i fordon. Den kan användas tillsammans med videosystem för övervakning av området runt om fordonet, t.ex. vid parkering. Övervakningen sker direkt från förarstolen.



#### **WARNING!**

Risk för fordonsrelaterade personskador.

Backvideosystem är endast till för att underlätta backningen, d.v.s. föraren måste **alltid** iaktta största försiktighet under backningen.

## 6 Teknisk beskrivning

Kameran har ett aluminiumhölje och överför bild och ljud till en monitor via en kabel. IR-lysdioderna gör det lättare att se i mörker.

Kameran visar bilden på samma sätt som det skulle se ut i backspeglern.

Kameran består bland annat av följande delar:

Nr på bild <b>9</b> , sida 5	Beteckning
1	6-polig anslutningskabel
2	Mikrofon
3	IR-lysdioder

## 7 Information om elektrisk anslutning

### 7.1 Kabeldragning



#### **OBSERVERA! Risk för skador!**

- När du borrar hål, kontrollera först att det finns tillräckligt mycket plats för borrarpsen.
- Ej fackmässig kabeldragning och kabelanslutning leder ofta till felaktiga funktioner eller skador på komponenterna. Korrekt kabeldragning och anslutning är en nödvändig förutsättning för att komponenterna ska fungera felfritt och länge.
- Kablarna får inte komma i kontakt med lösningsmedel, t.ex. bensin under längre tid; lösningsmedel kan skada kablarna.

Beakta därför följande anvisningar:

- Använd om möjligt originalgenomföringar eller andra genomföringar som t.ex. fogar, ventilationsgaller eller oanvända anslutningar för anslutningskablarna. Om det inte finns lämpliga genomföringar måste man borra hål för kablarna. Kontrollera först att det finns tillräckligt mycket plats för borrarpsen.
- Drag om möjligt alltid kablarna inne i fordonet, där de är bättre skyddade än på utsidan. Om kablarna dras på utsidan: se till att de sätts fast ordentligt (med extra kabelband, isoleringsband o.s.v.).
- Drag inte kablarna tätt intill heta och/eller rörliga delar (avgasrör, drivaxlar, generator, fläkt, värmeaggregat o.s.v.); kablarna kan skadas. Använd korrugerade rör eller liknande skyddsmaterial som mekaniskt skydd.
- Skruva fast stickkontakten för att skydda mot inträngande vatten (bild **17**, sida 7).
- Beakta, när kablarna dras, att
  - de inte böjs eller vrids för mycket,
  - de inte skaver mot kanter,
  - skydd används om de dras genom genomföringar med vassa kanter (bild **3**, sida 4).

- Fäst kabeln säkert i fordonet så att man inte kan fastna i den. Använd t.ex. kabelband, isoleringsband eller lim.
- Skydda borrhål i karosseriet så att det inte kan komma in vatten, t.ex. genom att sätta in kabeln med tätningsmassa och spruta tätningsmassa på kabeln och genomföringen.



### ANVISNING

Täta genomföringarna först när kameran har riktats och ställts in och kablarnas längd har bestämts.

## 8 Montera kameran

### 8.1 Verktyg

För **monteringen** krävs följande verktyg:

- Borrsats (bild **1** 1, sida 3)
- Bormaskin (bild **1** 2, sida 3)
- Skruvmejsel (bild **1** 3, sida 3)
- En sats ringnycklar eller U-nycklar (bild **1** 4, sida 3)
- Måttsticka (bild **1** 5, sida 3)
- Hammare (bild **1** 6, sida 3)
- Körnare (bild **1** 7, sida 3)

För **elanslutningen** och provningen krävs följande hjälpmedel:

- Diod-testlampa (bild **1** 8, sida 3) eller voltmeter (bild **1** 9, sida 3)
- Krimptång (bild **1** 10, sida 3)
- Isoleringsband (bild **1** 11, sida 3)
- Ev. kabelgenomföringshylsor

För **fastsättning av kablarna** krävs ev. ytterligare kabelband.

## 8.2 Montera kameran



### AKTA!

Montera kameran på ett ställe där den inte kan utgöra någon fara för personer som upphåller sig i närheten av fordonet, t.ex. om trädgrenar skulle vidröra biltaket och slita loss kameran.



### ANVISNING

Om fordonets höjd eller längd inte längre stämmer överens med uppgifterna i fordonshandlingarna när kameran har monterats, måste en ny besiktning göras (kontakta Svensk Bilprovning).

Låt ansvarigt ställe skriva in de nya uppgifterna i fordonshandlingarna.

Beakta följande anvisningar vid monteringen:

- För en tillräckligt god synvinkel ska kameran monteras på minst 2 meters höjd. Vid montering av kameran: se till att arbetsplatsen är stabil och säker.
- Se till att kameran monteras stabilt (trädgrenar kan t.ex. fastna i kameran).
- Montera kamerafästet vågrätt och på mitten baktill på fordonet (bild **10**, sida 6).
- Det är säkrast att fästa kameran med skruvar som förs genom påbyggnaden. Beakta följande anvisningar:
  - Kontrollera först att det finns tillräckligt mycket plats för monteringen bakom/under monteringsplatsen.
  - Tänk på att borrhålen/öppningarna ska skyddas mot vatten (t.ex. genom att sätta in skruvarna med tätningssmassa och/eller spruta tätningssmassa på de utvändiga monteringspunkterna).
  - Se till att monteringsstället är stabilt så att kamerafästet kan fästas ordentligt.
- Kontrollera att det finns tillräckligt mycket plats för borrspetsen (bild **2**, sida 4).
- Fråga tillverkaren av vagnen (eller auktoriserad återförsäljare) i tveksamma fall.



### ANVISNING

Smörj in gängorna med fett för att minimera rostrisken på skruvarna.

Montering, tillvägagångssätt:

- Håll kamerafästet på valt ställe och markera sedan minst två olika borrhål (bild **11**, sida 6).
- Slå först ett hål i metallen med hammare och körnare, så att borren inte slinter.

**Om kameran ska skruvas fast med plåtskruvar (bild 12, sida 6)****OBSERVERA! Risk för skador!**

Plåtskruvarna får endast användas för stålplåt med en tjocklek på minst 1,5 mm.

- Borra Ø 4 mm- hål på de markerade punkterna.
- Slipa graderna i borrhålen och behandla hålen med rostskyddsmedel.
- Skruva fast monitorfästet med plåtskruvarna 5 x 20 mm.

**Om kameran ska skruvas fast med gängskruvar i påbyggnaden (bild 13, sida 6)****OBSERVERA! Risk för skador!**

Se till att muttrarna inte kan dras igenom plåten.

Använd vid behov större underläggsbrickor eller plåtplattor.

- Borra Ø 4,5 mm- hål på de markerade punkterna.
- Slipa graderna i borrhålen och behandla hålen med rostskyddsmedel.
- Skruva fast kamerafästet med gängskruvarna M5 x 20 mm.  
Beroende på plåtens tjocklek kan det behövas längre gängskruvar.

**Öppning för kamerans anslutningskabel (bild 14, sida 6)****ANVISNING**

Använd om möjligt genomföringar som redan finns på plåten, som t.ex. ventilationsgaller. Om det inte finns lämpliga genomföringar: borra ett Ø 16 mm- hål.

**OBSERVERA! Risk för skador!**

Kontrollera först att det finns tillräckligt mycket plats för borrarpeten.

- Borra ett Ø 16 mm-hål i närheten av kameran.
- Slipa graderna i borrhålen som har borrats i plåten och behandla hålen med rostskyddsmedel.
- Använd genomföringshylsa för öppningar med vassa kanter.

## Montera kameran



### **OBSERVERA! Risk för skador!**

Använd endast de medföljande skruvarna för montering av kameran. Längre skruvar skadar kameran.

- Skjut in kameran i kamerafästet.
- Skruva fast kameran **löst** med de två skruvarna M3 x 8 mm i de ovala hålen (bild **15**, sida 6).
- Rikta kameran provisoriskt så att objektivet sitter i ung. 50° vinkel mot fordonets lodrätta axel (bild **16**, sida 7).



### **OBSERVERA! Risk för skador!**

Montera aldrig kameran utan kameraskyddet.

## Ansluta el till kameran



### **ANVISNING**

- Dra kamerakabeln så att det blir lätt att komma åt kontakten kamera/förlängningskabel vid ev. demontering av kameran. Detta underlättar demonteringen.
- Som rostskydd för kontakterna rekommenderar vi att lite fett, t.ex. polfett, används i en av stickkontaktarna.
- Vid behov kan ytterligare förlängningskablar erhållas (se kapitel "Tillbehör" på sidan 107).

- Dra in kamerakabeln i fordonet.
- Anslut kamerakabelns stickkontakt till kontakten på förlängningskabeln.
- Skruva fast stickkontakten för att skydda mot inträngande vatten (bild **17**, sida 7).

## Rikta kameran



### **ANVISNING**

För att kunna rikta kameran måste eventuellt först en monitor monteras och anslutas (se principkopplingsschemat bild **18**, sida 7).

- Rikta kameran med hjälp av monitorbilden:  
Ned till på monitorbilden bör nu fordonets bakdel resp. stötfångaren synas. Stötfångarens mitt ska också vara på bildens mitt (bild **19**, sida 7).
- Kontrollera kamerans funktion när den har anslutits till en monitor.



## Fästa kameran

- Dra fast de två montageskruvarna i de ovala hålen till det övre kamerafästet.
- Sätt fast sidoskydden med de två skruvarna M3 x 8 mm i gänghålerna i mitten (bild 20, sida 8).

## 9 Skötsel och rengöring av kameran



### **OBSERVERA! Risk för skador!**

Använd inga vassa eller hårda föremål för att rengöra systemet, komponenterna kan skadas.

- Rengör kameran då och då med en mjuk, fuktig trasa.

## 10 Garanti

Den lagstadgade garantitiden gäller. Om produkten är defekt: kontakta tillverkarens kontor i ditt land (adresser, se bruksanvisningens baksida) eller återförsäljaren.

Vid reparations- resp. garantiärenden ska följande skickas med:

- defekta komponenter,
- en kopia på fakturan med inköpsdatum,
- en reklambeskrivning/felbeskrivning.

## 11 Avfallshantering

- lämna om möjligt förpackningsmaterialet till återvinning.



När produkten slutgiltigt tas ur bruk: informera dig om gällande bestämmelser hos närmaste återvinningscentral eller hos återförsäljaren.

**12 Tekniska data**

	<b>PerfectView CAM80CM</b>	
Artikel-nr:	9600000049	9600000198
Bildsensor:	1/3" CCD	
Bildpunkter:	ca. 270000 pixlar	
Videostandard:	PAL, 1 Vpp	NTSC, 1 Vpp
Känslighet:	< 1 lux	
Synvinkel:	ca. 145° diagonalt ca. 100° horisontellt ca. 72° vertikalt	
Driftspänning:	11 - 16 V==	
Förbrukning:	1,8 W	
Drifttemperatur:	-20 °C till +65 °C	
Skyddsklass:	IP68	
Vibrationstålighet:	6g	
Mått B x H x D (med fäste):	106 x 68 x 54 mm	
Vikt:	ca. 0,35 kg	

**Godkännanden**

Apparaten har E13-godkännande.



**Les bruksanvisningen nøye før du monterer og tar apparatet i bruk, og ta vare på den. Hvis produktet selges videre, må du sørge for å gi bruksanvisningen videre også.**

## Innhold

1	Symbolforklaringer	115
2	Råd om sikkerhet og montering	116
3	Leveringsomfang	118
4	Tilbehør	118
5	Tiltenkt bruk	119
6	Teknisk beskrivelse	119
7	Råd om elektrisk tilkobling	119
8	Montere kameraet	121
9	Stell og rengjøring av kameraet	124
10	Garanti	124
11	Deponering	124
12	Tekniske spesifikasjoner	125

## 1 Symbolforklaringer



### ADVARSEL!

**Sikkerhetsregel:** Hvis man ikke overholder denne regelen, kan det føre til død eller alvorlig skade.



### FORSIKTIG!

**Sikkerhetsregel:** Hvis man ikke overholder denne regelen, kan det føre til personskader.



### PASS PÅ!

Hvis man ikke overholder denne regelen, kan det føre til materielle skader og skade funksjonen til produktet.



### MERK

Utfyllende informasjon om bruk av produktet.

## 2 Råd om sikkerhet og montering

Produsenten tar i følgende tilfeller intet ansvar for skader:

- Montasje- eller tilkoblingsfeil
- Skader på produktet på grunn av mekanisk påvirkning og overspenninger
- Endringer på produktet uten at det er gitt uttrykkelig godkjenning av produsenten
- Bruk til andre formål enn det som er beskrevet i veiledningen

### Følg rådene og betingelsene som kjøretøyprodusenten og motorvognprodusenten har bestemt!



#### ADVARSEL!

Feil på ledningsforbindelser kan føre til at det på grunn av kortslutning oppstår

- kabelbrann,
- at kollisjonsputen utløses,
- at de elektroniske styreanordningene blir skadet,
- at elektriske funksjoner faller ut (blinklys, bremselys, horn, tenning, lys).



#### PASS PÅ!

På grunn av kortslutningsfaren må man alltid koble fra minuspolen før man utfører arbeid på kjøretøyets elektronikk.

På kjøretøy med hjelpebatteri må man også koble fra minuspolen på dette.

Følg derfor disse rådene:

- Bruk ved arbeid på følgende ledninger kun isolerte kabelsko, støpsler og kabelklemmer.
  - 30 (inngang fra batteriets pluss direkte)
  - 15 (koblet pluss, bak batteri)
  - 31 (tilbakeleder fra batteri, jord)
  - L (blinklys venstre)
  - R (blinklys høyre)

Bruk **ikke** kabelklemmer.

- Bruk en krympetang til å koble til kabelen.
- Skru fast kabelen ved tilkobling til ledningen 31 (jord)
  - med kabelsko og låseskive til kjøretøyets jordkobling eller
  - med kabelsko og plateskrue til karosseriet.

Pass på at du har god jordforbindelse!

Ved frakobling av minuspolen til batteriene mister alle flyktige minner i komfortelektronikken de lagrede dataene.

- Følgende data må stilles inn på nytt, avhengig av kjøretøyets utrustning:
  - radiokode
  - kjøretøyur
  - tidskoblingsur
  - kjørecomputer
  - sitteposisjon

Råd vedrørende innstilling finner du i relevant bruksanvisning.

Vær oppmerksom på følgende ved montering:



### FORSIKTIG!

- Fest delene som er montert i kjøretøyet, slik at de ikke under noen omstendighet (bråbremsing, trafikkuhell) løsner og **skader passasjerene**.
- Fest tilhørende deler skjult under paneler, slik at de ikke kan løsne eller skade andre deler og ledninger, og slik at de ikke påvirker kjøretøyets funksjon (styring, pedaler osv.).
- Følg alltid sikkerhetsreglene til kjøretøyprodusenten.  
Enkelte typer arbeid (f. eks. på kollisjonsputesystem osv.) må kun utføres av fagfolk.



### PASS PÅ!

- Ved boring må man for å unngå skader passe på at det er tilstrekkelig plass der boret går ut på den andre siden.
- Fjern gradene på alle hull som bores og behandle disse med rustbeskyttelsesmiddel.

Vær oppmerksom på følgende ved arbeid på elektriske deler:



### PASS PÅ!

- For å teste spenningen i elektriske ledninger, må man kun bruke en diodetestlampe eller et voltmeter.  
Testlamper med lyslegeme bruker for mye strøm, noe som kan skade kjøretøyelektronikken.
- Ved forlegging av de elektriske tilkoblingene, må du passe på at disse
  - ikke blir knekt eller deformert,
  - ikke gnir på kanter,
  - ikke legges uten beskyttelse gjennom gjennomføringer som har skarpe kanter.
- Isolere alle forbindelser og tilkoblinger.
- Sikre kabelen mot mekanisk belastning med kabelinnføringer eller isolasjonsbånd, f. eks. på eksisterende ledninger.

Kameraet er vanntett. Kameraets tettinger tåler imidlertid ikke høytrykksspyling (fig. 4, side 4). Vær derfor oppmerksom på følgende ved håndtering av kameraet:

- Ikke åpne kameraet, da dette har negativ virkning på tettheten og funksjonsevnen til kameraet (fig. 5, side 4).
- Ikke dra i kablene, da dette har negativ virkning på tettheten og funksjonsevnen til kameraet (fig. 6, side 4).
- Kameraet er ikke egnet for bruk under vann (fig. 7, side 4).

### 3 Leveringsomfang

Nr. i fig. 8, side 5	Antall	Betegnelse	Artikkelnr.
1	1	Fargekamera CAM80CM	9600000049 (PAL)/ 9600000198 (NTSC)
2	1	Kameraholder	9102200073
3	2	Sidedeksler	
4	1	Forlengelseskabel	9102200030
-	1	Festemateriell	

### 4 Tilbehør

Fås som tilbehør (ikke inkludert i leveransen):

Betegnelse	Artikkelnr.
Forlengelseskabel 5 m	91022000028
Forlengelseskabel 8 m	91022000029
Forlengelseskabel 20 m	91022000030
Spiralkabel for tilhengerdrift	91022000031

## 5 Tiltenkt bruk

Fargekameraet CAM80CM er først og fremst beregnet for bruk i kjøretøy. De kan brukes i videosystemer som brukes til å observere området rundt kjøretøyet fra førerretet, f.eks. ved krypekjøring eller parkering.



### ADVARSEL!

Fare for personskader på grunn av kjøretøyet.

Ryggevideosystemer er en støtte ved rygging, den fritar deg imidlertid **ikke** for **det spesielle ansvaret du har med å utvise forsiktighet under rygging**.

## 6 Teknisk beskrivelse

Kameraet er plassert i en aluminiumskapsling, og overfører bilde og lyd til en skjerm via en kabel. De infrarøde lysdiodeene forbedrer nattsikten.

Kameraet overfører bildet som om du ser i ryggspeilet.

Kameraet består av bl. a. følgende elementer:

Nr. i fig. <b>9</b> , side 5	Betegnelse
1	6-polet tilkoblingskabel
2	Mikrofon
3	Infrarøde lysdioder

## 7 Råd om elektrisk tilkobling

### 7.1 Legging av kabel



#### PASS PÅ! Fare for skade!

- Når du borer hull, må du på forhånd kontrollere om det er nok ledig plass til at boret kan komme ut.
- Kabellegging og kabelforbindelser som ikke er utført fagmessig fører ofte til feilfunksjoner eller skader på komponenter. Korrekt kabellegging hhv. kabelforbindelse er den viktigste forutsetningen for varig og feilfri funksjon til ettermonterte komponenter.
- Kabelen må ikke komme i kontakt med løsemidler, som f. eks. bensin over lengre tid, da løsemidlet kan skade kablene.

Følg derfor disse rådene:

- For å føre gjennom tilkoblingskabelen bruker du originalgjennomføringer eller andre gjennomføringsmuligheter, som f. eks. panelkanter, luftegitter eller blindbryter. Hvis det ikke finnes noen gjennomføringer tilgjengelig, må du bore hull for de aktuelle kablene. Se etter på forhånd om det er nok plass til at boret kan komme ut.
- Legg alltid kabelen inne i kjøretøyet hvis det er mulig, der er de bedre beskyttet enn utenpå kjøretøyet.  
Hvis du likevel legger kablene utenpå kjøretøyet, må du sørge for at de festes sikkert (med ekstra kabelskjøtestykker, isolasjonsbånd osv.).
- Ved legging av kabel må du alltid holde tilstrekkelig avstand til varme og bevegelige deler på kjøretøyet (eksosrør, drivakslinger, dynamoer, vifter, oppvarming osv.) for å unngå skader på kabelen. Til mekanisk beskyttelse brukes bølgerør eller lignende beskyttelsesmaterialer.
- Skru kontaktforbindelse for å beskytte mot inntrengning av vann (fig. **17**, side 7).
- Ved legging av kablene må du passe på at disse
  - ikke blir knekt eller deformert,
  - ikke gnir på kanter,
  - ikke legges uten beskyttelse gjennom gjennomføringer som har skarpe kanter (fig. **3**, side 4).
- Fest kabelen skikkelig i kjøretøyet for å unngå at noe hektes fast i den (fare for fall). Dette gjøres ved bruk av kabelbånd, isolasjonsbånd eller ved påliming.
- Beskytt alle gjennomføringer i det ytre karosseriet mot inntrengning av vann, f. eks. ved å sprøyte kabelen og gjennomføringsnippelen med tetningsmasse.



#### **MERK**

Begynn å tette igjen gjennomføringene først når alt innstillingsarbeid på kameraet er avsluttet og når de nødvendige lengdene til tilkoblingskablene er kappet.



## 8 Montere kameraet

### 8.1 Nødvendig verktøy

Til **montering** trenger du følgende verktøy:

- Borsett (fig. **1** 1, side 3)
- Bormaskin (fig. **1** 2, side 3)
- Skrutrekker (fig. **1** 3, side 3)
- Nøkkelsett (fig. **1** 4, side 3)
- Målestokk (fig. **1** 5, side 3)
- Hammer (fig. **1** 6, side 3)
- Kjørner (fig. **1** 7, side 3)

Til **elektrisk tilkobling** og kontroll av denne trenger du følgende hjelpemidler:

- Diode-testlampe (fig. **1** 8, side 3) eller voltmeter (fig. **1** 9, side 3)
- Krympetang (fig. **1** 10, side 3)
- Isolasjonsbånd (fig. **1** 11, side 3)
- Evt. kabelgjennomføringsnipler

Til **å feste kablen** trenger du evt. flere kabelskjøtestykker.

### 8.2 Montere kameraet



#### FORSIKTIG!

Velg plassering av kameraet og fest dette slik at ingen personer som står i nærheten under ingen omstendighet kan bli skadet, f. eks. av greiner som streifer over taket på bilen og river av kameraet.



#### MERK

Hvis man ved montering av kameraet endrer kjøretøyhøyden eller kjøretøylengden som står i vognkortet, trenger man ny godkjenning fra relevante godkjenningsinstanser (TÜV, DEKRA osv.).

Sørg for at den nye godkjenningen føres inn i vognkortet av vedkommende veimyndighet.

Vær oppmerksom på følgende ved montering:

- Plasser kameraet i en hensiktsmessig synsvinkel minst 2 m oppe. Ved montasjen må du passe på at montasjestedet er tilstrekkelig stabilt.
- Pass på at montasjestedet til kameraet er tilstrekkelig stabilt (f. eks. kan greiner som streifer over biltaket sette seg fast i kameraet).

- Monter kameraholderen vannrett og midt på kjøretøyet bak (fig. **10**, side 6).
- Den sikreste måten å feste på er med gjennomgående skruer. Følg disse rådene:
  - Bak det valgte montasjestedet må det være nok plass for montasjen.
  - Alle gjennomføringer må beskyttes mot inntrenging av vann (sett f. eks. inn skruene med tetningsmasse og/eller påfør tetningsmasse på de ytre festedelene).
  - Montering på festestedet må være tilstrekkelig fast, slik at kameraholderen kan trekkes til fast nok.
- Kontroller på forhånd, om det er nok plass til at boret kan komme ut (fig. **2**, side 4).
- Hvis du er usikker på montasjestedet du har valgt, må du forhøre deg hos produsenten eller dennes representant.

**MERK**

For å redusere korrosjonen av skruene til et minimum, anbefaler vi å sette inn gjengene med fett.

Ved montering går du fram på følgende måte:

- Hold kameraholderen på det valgte montasjestedet og merk minst 2 forskjellige borepunkter (fig. **11**, side 6).
- Kjørn med hammer og kjørner på punktene som er merket på forhånd, for å hindre at boret løper løpsk.

**Når du ønsker å skru på kameraet med plateskruer (fig. **12**, side 6)****PASS PÅ! Fare for skade!**

Feste med plateskruer må kun gjøres i stålplater med en minimum tykkelse på 1,5 mm.

- Bor et hull på Ø 4 mm i punktene som er merket på forhånd.
- Fjern gradene på alle borehull og behandle disse med rustbeskyttelse.
- Skru på kameraholderen med plateskruene 5 x 20 mm.

**Når du ønsker å feste kameraet med plateskruer gjennom montasjen (fig. **13**, side 6)****PASS PÅ! Fare for skade!**

Når man trekker til mutrene, må man passe på at de ikke kan trekkes gjennom montasjen.

Bruk evt. større underlagsskiver eller stålplater.

- Bor et hull på Ø 4,5 mm i punktene som er merket på forhånd.
- Fjern gradene på alle borehull og behandle disse med rustbeskyttelse.
- Skru på kameraholderen med gjengeskruene M5 x 20 mm.  
Du trenger lengre gjengeskruer, avhengig av oppbyggingshøyden.

**Lage gjennomføring for tilkoblingskabelen til kameraet (fig. 14, side 6)****MERK**

Ved gjennomføring av tilkoblingskabelen bruker du, hvis det er mulig, eksisterende gjennomføringsmuligheter, f. eks. luftegitter. Hvis det ikke er noen gjennomføringer tilgjengelig, må du bore et hull på Ø 16 mm.

**PASS PÅ! Fare for skade!**

Kontroller på forhånd om det er nok plass til at boret kan komme ut.

- Bor et hull på Ø 16 mm i nærheten av kameraet.
- Fjern gradene på alle borehull som er laget i platen og behandle disse med rustbeskyttelse.
- Utstyr alle gjennomføringer som har skarpe kanter med en gjennomføringsnippe.

**Montere kameraet****PASS PÅ! Fare for skade!**

For å montere kameraet bruker du kun skruene som følger med. Lengre skruer skader kameraet.

- Skyv kameraet inn i kameraholderen.
- Fest kameraet **løst** med de to skruene M3 x 8 mm i de avlange hullene (fig. 15, side 6).
- Rett inn kameraet provisorisk slik at objektivet danner en vinkel på ca. 50° til den lodrette akselen til kjøretøyet (fig. 16, side 7).

**PASS PÅ! Fare for skade!**

Monter aldri kameraet uten kamerabeskyttelsen.

**Koble til kameraet elektrisk****MERK**

- Legg kamerakabelen slik at det ved en evt. nødvendig demontering av kameraet er lett å komme til pluggforbindelsen mellom kamera og forlengelseskabel. På denne måten blir demonteringen betydelig enklere.
- For å redusere korrosjonen i støpslet til et minimum, anbefaler vi å påføre noe fett, f. eks. polfett i et av støpslene.
- Ved behov kan man få flere forlengelseskabler (se kapittel «Tilbehør» på side 118).

- Legg kamerakabelen inni kjøretøyet.
- Plugg støpslet til kamerakabelen inn i kontakten på forlengelseskabelen.
- Skru kontaktforbindelse for å beskytte mot inntrengning av vann (fig. 17, side 7).

## Innrette kameraet



### MERK

For å innrette kameraet må du evt. først montere en skjerm til og koble den til elektrisk (se prinsippskjema fig. 18, side 7).

- Rett inn kameraet ved hjelp av skjermbildet:

I nederste bildekant skal skjermbildet vise hekken hhv. støtfangeren til kjøretøyet ditt. Midten på støtfangeren skal også være midt på skjermbildet (fig. 19, side 7).

- Test funksjonen til kameraet etter at du har koblet det til en skjerm.

## Feste kamera

- Trekk til begge festeskruene i de avlange hullene på kameraholderen.
- Fest sidedekslene med begge skruene M3 x 8 mm i de midterste gjengeboringene (fig. 20, side 8).

## 9 Stell og rengjøring av kameraet



### PASS PÅ! Fare for skade!

Bruk ikke skarpe eller harde hjelpemidler til rengjøring, da det kan skade apparatene.

- Rengjør kameraet av og til med en myk, fuktig klut.

## 10 Garanti

Lovmessig garantitid gjelder. Hvis produktet skulle være defekt, kontakter du produsentens filial i ditt land (du finner adressene på baksiden av veiledningen) eller til din faghandler.

Ved henvendelser vedrørende reparasjon eller garanti, må du sende med følgende:

- defekt komponenter,
- kopi av kvitteringen med kjøpsdato,
- årsak til reklamasjonen eller beskrivelse av feilen.

## 11 Deponering

- Lever emballasje til resirkulering så langt det er mulig.



Når du tar produktet ut av drift for siste gang, må du sørge for å få informasjon om deponeringsforskrifter hos nærmeste resirkuleringsstasjon eller hos din faghandler.

## 12 Tekniske spesifikasjoner

	<b>PerfectView CAM80CM</b>	
Art.nr.:	9600000049	9600000198
Bildesensor:	1/3" CCD	
Bildepunkter:	ca. 270000 piksler	
Videostandard:	PAL, 1 Vpp	NTSC, 1 Vpp
Følsomhet:	< 1 Lux	
Synsvinkel:	ca. 145° diagonalt ca. 100° horisontalt ca. 72° vertikalt	
Driftsspennig:	11 – 16 V==	
Forbruk:	1,8 W	
Driftstemperatur:	-20 °C til +65 °C	
Beskyttelsesklasse:	IP68	
Vibrasjonsfasthet:	6g	
Mål B x H x D (med holder):	106 x 68 x 54 mm	
Vekt:	ca. 0,35 kg	

### Godkjenninger

Apparatet har E13-godkjenning.



**Lue tämä ohje huolellisesti läpi ennen asennusta ja käyttöönottoa ja säilytä ohje hyvin. Jos myyt tuotteen eteenpäin, anna ohje tällöin edelleen uudelle käyttäjälle.**

## Sisällysluettelo

1	Symbolien selitys	126
2	Turvallisuus- ja kiinnitysohjeita	127
3	Toimituskokonaisuus	129
4	Lisävarusteet	129
5	Määräysten mukainen käyttö	129
6	Tekninen kuvaus	130
7	Ohjeita sähköistä liittämistä varten	130
8	Kameran asentaminen	131
9	Kameran hoito ja puhdistaminen	135
10	Takuu	135
11	Hävittäminen	135
12	Tekniset tiedot	136

## 1 Symbolien selitys



### **VAROITUS!**

**Turvallisuusohje:** Huomiotta jättäminen voi aiheuttaa hengenvaaran tai vakavan loukkaantumisen.



### **HUOMIO!**

**Turvallisuusohje:** Huomiotta jättäminen voi johtaa loukkaantumiseen.



### **HUOMAUTUS!**

Huomiotta jättäminen voi johtaa materiaalivaurioihin ja haitata tuotteen toimintaa.



### **OHJE**

Tuotteen käyttöä koskevia lisätietoja.

## 2 Turvallisuus- ja kiinnitysohjeita

Valmistaja ei ota mitään vastuuta vahingoista seuraavissa tapauksissa:

- asennus- tai liitännävirheet
- tuotteeseen mekaanisen vaikutuksen tai ylijännitteiden takia syntyneet vauriot
- tuotteeseen ilman valmistajan nimenomaista lupaa tehdyt muutokset
- käyttö muuhun kuin käyttöohjeessa ilmoitettuun tarkoitukseen

### Noudata ajoneuvovalmistajan ja autoalan ammattiipiirien antamia turvallisuusohjeita ja vaatimuksia!



#### **VAROITUS!**

Riittämättömät johtimet voivat aiheuttaa oikosulun, jonka takia

- syntyy johtopaloja,
- ilmatyyny (airbag) laukeaa,
- elektroniset ohjauslaitteistot vahingoittuvat,
- sähköiset toiminnot lakkaavat toimimasta (vilkku, jarruvalo, äänimerkki, sytytys, valot).



#### **HUOMAUTUS!**

Irrota akun miinusnapa oikosulkuvaaran takia aina ennen ajoneuvoelektroniikkaan liittyvien töiden aloittamista.

Jos ajoneuvossa on lisäakku, myös sen miinusnapa täytyy irrottaa.

Noudata siksi seuraavia ohjeita:

- Käytä töissä, jotka koskevat seuraavia johtimia, vain eristettyjä kaapelikenkiä, pistokkeita ja abico-liittimiä:
  - 30 (suora plus akusta)
  - 15 (kytketty plus, akun takana)
  - 31 (akun paluujohdin, maa)
  - L (vilkku, vasen)
  - R (vilkku, oikea)

**Älä** käytä sokeripaloja.

- Käyttäkää johtojen liittämiseen abico-pihtejä.
- Ruuvaa johto liittäessäsi johtimeen 31 (maat.)
  - kaapelikengällä ja lukkoprikalla ajoneuvon omaan maadoitusruuviin tai
  - kaapelikengällä ja peltiruuvilla ajoneuvon koripeltiin.

Huolehdi hyvästä maadoituksesta!

Kun akun miinusnapa irrotetaan, kaikista mukavuuselektroniikan sähköisistä muisteista häviää niihin tallennetut tiedot.

- Aseta ajoneuvon varustelusta riippuen seuraavat tiedot uudelleen:
  - radiokoodi
  - ajoneuvokello
  - kytkinkello
  - ajoneuvotietokone
  - istuimen asento

Asetusohjeita löydät kustakin käyttöohjeesta.

Noudata asennuksessa seuraavia ohjeita:



### HUOMIO!

- Kiinnitä ajoneuvoon asennettavat osat siten, etteivät ne missään tapauksessa (äkkijarrutus, liikenneonnettomuus) irtoa ja johda **matkustajien loukkaantumiseen**.
- Kiinnitä järjestelmän verhousten alle kiinnitettävät osat siten, että ne eivät voi irrota tai vahingoittaa muita osia ja johtimia tai haitata mitään ajoneuvon toimintoja (ohjaus, polkimet jne.)
- Ota aina huomioon ajoneuvon valmistajan turvallisuusohjeet. Eräitä töitä (esim. turvatynyn tapaiset järjestelmät jne.) saa tehdä vain koulutuksen saanut ammattihenkilökunta.



### HUOMAUTUS!

- Huolehdi poratessasi siitä, että poran terällä on reiän takana riittävästi tilaa, jotta terä ei aiheuta vaurioita.
- Pyöristä kaikkien reikien reunat ja käsittele ne ruostesuoja-aineella.

Noudata seuraavia ohjeita sähköisiin osiin liittyvissä töissä:



### HUOMAUTUS!

- Käytä sähköjohtimien jännitteisyyden tarkastamiseen vain diodin testikynää tai volttimittaria. Loistelampulla toimivat testikynät ottavat liian paljon virtaa, mikä voi johtaa ajoneuvoelektroniikan vahingoittumiseen.
- Huolehdi ennen sähköjohtojen vetämistä siitä, että ne
  - ei ole taitteella tai kierteellä,
  - eivät hankaa reunoihin,
  - eivät kulje suojaamattomina teräväreunaisista rei'istä.
- Eristä kaikki johtimet ja liitännät.
- Kiinnitä johdot mekaanisen kuormituksen estämiseksi johtokiinnittimillä tai eristysnauhalla, esim. ajoneuvossa jo oleviin johtoihin.



Kamera on vesitiivis. Kameran tiivisteet eivät kuitenkaan kestä korkeapainepesuria (kuva **4**, sivulla 4). Noudattakaa siksi seuraavia kameran käsittelyä koskevia ohjeita:

- Älkää avatko kameraa, koska tämä haittaa sen tiiviyttä ja toimintakykyä (kuva **5**, sivulla 4).
- Älkää vetäkö johdoista, koska tämä haittaa kameran tiiviyttä ja toimintakykyä (kuva **6**, sivulla 4).
- Kamera ei sovi käytettäväksi veden alla (kuva **7**, sivulla 4).

### 3 Toimituskokonaisuus

Nr. kuva <b>8</b> , sivulla 5	Määrä	Nimitys	Tuote-nr.
1	1	Värikamera CAM80CM	9600000049 (PAL)/ 9600000198 (NTSC)
2	1	Kameran pidike	9102200073
3	2	Sivukatteet	
4	1	Jatkojohto	9102200030
-	1	Kiinnitysmateriaali	

### 4 Lisävarusteet

Saatavissa lisävarusteena (ei sisälly toimituskokonaisuuteen):

Nimitys	Tuote-nr.
Jatkojohto 5 m	9102200028
Jatkojohto 8 m	9102200029
Jatkojohto 20 m	9102200030
Spiraali johto perävaunukäyttöä varten	9102200031

### 5 Määräysten mukainen käyttö

Värikamera CAM80CM tarkoitettu käytettäväksi ensisijaisesti ajoneuvoissa. Sitä voi käyttää videojärjestelmissä, jotka on tarkoitettu ajoneuvon ympäristön tarkkailuun kuljettajan istuimelta, esim. ajoneuvoa käänneltäessä tai pysäköitäessä.



#### **VAROITUS!**

Ajoneuvo voi aiheuttaa henkilövahinkoja.

Peruutusvideojärjestelmät ovat peruutusapuvälineitä, kuitenkin ne **eivät** vapauta sinua velvollisuudesta **olla erityisen varovainen peruuttaessasi**.

## 6 Tekninen kuvaus

Kamera on sijoitettu alumiinikoteloon ja se välittää kuvan ja äänen johtoa pitkin monitoriin. Infrapuna-LEDin kautta on parannettu yönäkyvyyttä.

Kamera välittää kuvaa samoin kuin jos katsoisit peruutuspeiliin.

Kamera koostuu mm. seuraavista osista:

Nro kuva <b>9</b> , sivulla 5	Nimitys
1	6-napainen liitäntäjohto
2	Mikrofoni
3	Infrapuna-LEDit

## 7 Ohjeita sähköistä liittämistä varten

### 7.1 Johtojen vetäminen



#### **HUOMAUTUS! Vahingoittumisvaara!**

- Jos poraat reikiä, tarkasta ensin, onko porausreiän takana tarpeeksi vapaata tilaa.
- Epäasianmukaiset johtoyhteydet ja -liitokset johtavat yhä uudelleen virhetoimintoihin ja rakenneosien vaurioitumiseen. Johtojen asianmukainen vetäminen ja liittämisen on varusteosien jatkuvan ja virheettömän toiminnan perusedellytys.
- Johdot eivät saa joutua pitkäksi aikaa kosketuksiin liuotinten kuten esim. bensiinin kanssa, koska liuottimet vahingoittavat muuten johtoja.

Noudattakaa siksi seuraavia ohjeita:

- Käyttäkää liitäntäjohtojen läpiviemiseen mahdollisuuksien mukaan alkuperäisiä läpivientipaikkoja tai muita läpivientimahdollisuuksia kuten esim. verhouksen reunoja, tuuletusrilöitä tai puuttuvien kytkinten peitelevyjä. Jos läpivientipaikkoja ei ole, Teidän täytyy porata kyseisiä johtoja vastaavat reiät. Katsokaa etukäteen, että porausreiän toisella puolella on riittävästi tilaa.
- Vetäkää johdot mahdollisuuksien mukaan aina ajoneuvon sisätiloihin, sillä siellä ne ovat paremmin suojassa kuin ajoneuvon ulkopuolella. Jos vedätte kuitenkin johtoja ajoneuvon ulkopuolelle, huolehtikaa siitä, että ne on kiinnitetty lujasti (lisäksi nippusiteillä, eristysnauhalla jne.).
- Johtojen vioittumisen välttämiseksi säilyttäkää johtoja vetäessänne aina riittävä etäisyys ajoneuvon kuumiin ja liikkuviin osiin (pakoputki, vetoakselit, laturi, tuuletin, lämmitin jne.). Käyttäkää mekaaniseen suojaamiseen aaltoputkea tai vastaavanlaisia suojamateriaaleja.
- Ruuvaa pistokeliitin kiinni estääksesi veden tunkeutumisen liitokseen (kuva **17**, sivulla 7).
- Huolehtikaa ennen johtojen vetämistä siitä, että ne
  - ei ole voimakkaasti taitteella tai kierteellä,
  - eivät hankaa reunoihin,
  - eivät kulje suojaamattomina teräväreunaisista rei'istä (kuva **3**, sivulla 4).

- Kiinnittäkää johdot ajoneuvoon, jotta niihin ei voi jäädä kiinni (kompastumisvaara). Tähän voidaan käyttää johtokiinnittimiä, eristysnauhaa tai liimalla liimaamista.
- Suojatkaa jokainen ulkopintaan tehtävä reikä sopivin keinoin vesivahingoilta, esim. asettamalla johto tiivistysmassan kanssa paikalleen ja suihkuttamalla johto ja läpivientiholkki tiivistysmassalla.



### OHJE

Aloittakaa läpivientien tiivistäminen vasta sitten, kun kaikki kameraa koskevat säätötyöt on tehty loppuun ja liitäntäjohtojen tarvittavat pituudet ovat selvillä.

## 8 Kameran asentaminen

### 8.1 Tarvittavat työkalut

**Kiinnittämiseen ja asentamiseen** tarvitsette seuraavia työkaluja:

- Poranteräsarja (kuva **1** 1, sivulla 3)
- Porakone (kuva **1** 2, sivulla 3)
- Ruuvimeisseli (kuva **1** 3, sivulla 3)
- Lenkki- tai kiintoavainsarja (kuva **1** 4, sivulla 3)
- Mitta (kuva **1** 5, sivulla 3)
- Vasara (kuva **1** 6, sivulla 3)
- Merkkipuikko (kuva **1** 7, sivulla 3)

**Sähköliitäntää** ja sen tarkastamista varten tarvitsette seuraavia apuvälineitä:

- Diodisähkökynä (kuva **1** 8, sivulla 3) tai volttimittari (kuva **1** 9, sivulla 3)
- Abico-pihdit (kuva **1** 10, sivulla 3)
- Eristysnauhaa (kuva **1** 11, sivulla 3)
- Mahd. johdon läpivientiholkkeja

**Johtojen kiinnittämiseen** tarvitaan mahdollisesti vielä lisää johtokiinnittimiä.

## 8.2 Kameran asentaminen



### HUOMIO!

Valitkaa kameran paikka hyvin ja kiinnittäkää se niin lujasti, että kamera se ei voi missään tapauksessa johtaa lähellä seisovien ihmisten loukkaantumiseen esim. ajoneuvon osuvien oksien repäistessä kameran irti.



### OHJE

Jos ajoneuvon ajoneuvopapereihin merkitty korkeus tai pituus muuttuu kameran asentamisen takia, muutos täytyy hyväksyttää asianomaisissa paikoissa (katsastuskonttorit). Antakaa oman liikenneviranomaisenne kirjata uusi hyväksyntä ajoneuvopapereihinne.

Noudattakaa asennuksessa seuraavia ohjeita:

- Kiinnittäkää kamera järkevän kuvakulman saavuttamiseksi vähintään kahden metrin korkeudelle. Huolehittakaa asentaessanne kameraa siitä, että työskentelypaikkanne on riittävän tukeva.
- Huolehittakaa siitä, että kameran asennuspaikka on riittävän tukeva (esim. ajoneuvon kattoa pyyhkivät oksat voivat tarttua kameraan).
- Asenna kamerapidike vaakasuoraan keskelle ajoneuvon takaosaa (kuva **10**, sivulla 6).
- Varmin kiinnitys saavutetaan korirakenteen katon läpi menevillä ruuveilla. Olkaa hyvä ja noudattakaa tällöin seuraavia ohjeita:
  - Valitun asennuspaikan takana täytyy olla riittävästi vapaata tilaa asennusta varten.
  - Jokainen läpivienti täytyy suojata sopivin keinoin vesivahinkoja vastaan (esim. laittamalla ruuveihin tiivistysmassaa ja/tai suihkuttamalla ulkoiset kiinnitysosat tiivistysmassalla).
  - Korirakenteen täytyy olla kiinnityskohdassa riittävän tukeva, jotta kameran pidike voidaan kiristää riittävän kireälle.
- Tarkastakaa etukäteen, että porausreiän toisella puolella on riittävästi tilaa (kuva **2**, sivulla 4).
- Jos ette ole varma valitsemastanne asennuspaikasta, kääntykää korirakenteen valmistajan tai sen edustajan puoleen.



### OHJE

Rasvatkaa ruuvien kierteet ruuvikorroosion minimoimiseksi.

Menetelkää asennuksessa seuraavasti:

- Pitäkää kameran pidikettä valitussa asennuspaikassa ja merkitkää vähintään kaksi eri porauskohtaa (kuva **11**, sivulla 6).
- Tehkää aiemmin merkittyihin kohtiin vasaralla ja merkkipuikolla alkusyvennykset, jotta poranterä ei lipsahda kohdaltaan.

**Jos haluatte ruuvata kameran kiinni peltiruuveilla (kuva 12, sivulla 6)****HUOMAUTUS! Vahingoittumisvaara!**

Peltiruuveja saa käyttää kiinnittämiseen vain, kun kiinnitysalusta on vähintään 1,5 mm paksua teräspeltiä.

- Poratkaa merkitsemiinne kohtiin Ø 4 mm:n reiät.
- Pyöristäkää kaikki poratut reiät ja suojatkaa ne ruosteelta.
- Ruuvatkaa kameran pidike kiinni paikalleen 5 x 20 mm -peltiruuveilla.

**Jos haluatte kiinnittää kameran korirakenteen läpi kierreruuveilla (kuva 13, sivulla 6)****HUOMAUTUS! Vahingoittumisvaara!**

Huolehdiikaa siitä, että mutterit eivät voi niitä kiristettäessä kiskoutua korirakenteen läpi. Käyttäkää mahdollisesti suurempia prikoja tai peltilevyjä.

- Poratkaa merkitsemiinne kohtiin Ø 4,5 mm:n reiät.
- Pyöristäkää kaikki poratut reiät ja suojatkaa ne ruosteelta.
- Ruuvatkaa kameran pidike kiinni M5 x 20 mm -pulteilla.  
Korirakenteen paksuudesta riippuen voidaan tarvita pidempiä pultteja.

**Kameran liitäntäjohtojen läpiviennin tekeminen (kuva 14, sivulla 6)****OHJE**

Käyttäkää liitäntäjohtojen läpivientiin mahdollisuuksien mukaan valmiina olevia läpivientipaikkoja, esim. tuuletusritilöitä. Jos läpivientipaikkoja ei ole, Teidän täytyy porata Ø 16 mm:n reikä.

**HUOMAUTUS! Vahingoittumisvaara!**

Tarkastakaa etukäteen, että porausreiän toisella puolella on riittävästi tilaa.

- Poratkaa kameran lähelle Ø 16 mm:n reikä.
- Pyöristäkää kaikki peltiin poratut reiät ja suojatkaa ne ruosteelta.
- Laittakaa kaikkiin teräväreunaisiin reikiin läpivientiholkki.

## Kameran asentaminen



### HUOMAUTUS! Vaurioitumisvaara!

Käytä kameran asentamiseen vain mukana toimitettuja ruuveja. Pidemmät ruuvit vahingoittavat kameraa.

- Työnnä kamera kamerapidikkeeseen.
- Kiinnitä kamera **löysästi** kahdella ruuvilla M3 x 8 mm pitkäisreikiin (kuva **15**, sivulla 6).
- Suuntaa kamera väliaikaisesti siten, että objektiivi muodostaa n. 50° kulman ajoneuvon pystyakseliin nähden (kuva **16**, sivulla 7).



### HUOMAUTUS! Vaurioitumisvaara!

Kameraa ei saa asentaa milloinkaan ilman kamerasuojusta.

## Kameran liittäminen sähköisesti



### OHJE

- Vetäkää kamerajohto siten, että kameran ja jatkojohdon pistoliitäntään päästään helposti käsiksi, jos kamera täytyy mahdollisesti irrottaa. Asennuksen purkaminen helpottuu näin huomattavasti.
- Laittakaa pistokkeeseen hieman rasvaa, esim. naparasvaa, pistokkeiden korroosion minimoimiseksi.
- Tarvittaessa saatavissa on jatkojohtoja (kts. kap. "Lisävarusteet" sivulla 129).

- Vetäkää kamerajohto ajoneuvon sisään.
- Työntäkää kamerajohdon pistoke jatkojohdon pistoliitimeen.
- Ruuvaa pistokeliitin kiinni estääksesi veden tunkeutumisen liitokseen (kuva **17**, sivulla 7).

## Kameran suuntaaminen



### OHJE

Kameran suuntaamista varten sinun täytyy vielä ensin asentaa monitori ja liittää se sähköisesti (ks. periaatteellinen liitäntäkaavio kuva **18**, sivulla 7).

- Suuntaa kamera monitorikuvan avulla:  
Monitorikuvan alareunassa tulisi näkyä ajoneuvon perä tai takapuskuri. Takapuskurin keskikohdan tulisi olla myös monitorikuvan keskikohta (kuva **19**, sivulla 7).
- Tarkasta kameran toiminta sen jälkeen, kun olet liittänyt sen monitoriin.

## Kameran kiinnitys

- Kiristä molemmat kiinnitysruuvit kamerapidikkeen pitkittäisrei'issä.
- Kiinnitä sivukatteet molemmilla ruuveilla M3 x 8 mm keskimmäisiin kierreruuvauksiin (kuva 20, sivulla 8).

## 9 Kameran hoito ja puhdistaminen



### HUOMAUTUS! Vahingoittumisvaara!

Älkää käyttäkö puhdistamiseen teräviä tai kovia välineitä, koska tämä voi johtaa laitteiden vahingoittumiseen.

- Puhdistakaa kamera toisinaan pehmeällä, kostealla rievulla.

## 10 Takuu

Laitetta koskee lakisääteinen takuu-aika. Jos tuote sattuu olemaan viallinen, käänny maasi valmistajan toimipisteen puoleen (osoitteet käyttöohjeen takasivulla) tai ota yhteyttä omaan ammattikauppiaseesi.

Korjaus- ja takuukäsittelyä varten lähetä mukana seuraavat:

- vialliset osat,
- kopio ostolaskusta, jossa näkyy ostopäivä,
- valitusperuste tai vikakuvaus.

## 11 Hävittäminen

- Vie pakkausmateriaali mahdollisuuksien mukaan vastaavan kierrätysjätteen joukkoon.



Jos poistat tuotteen lopullisesti käytöstä, pyydä tietoa sen hävittämistä koskevista määräyksistä lähimmästä kierrätyskeskuksesta tai ammattiliikkeestäsi.

**12 Tekniset tiedot**

	<b>PerfectView CAM80CM</b>	
Tuotenro:	9600000049	9600000198
Kuvakenno:	1/3" CCD	
Kuvapistettä:	noin 270000 kuvapistettä	
Videostandardi:	PAL, 1 Vpp	NTSC, 1 Vpp
Herkkyys:	< 1 luksia	
Kuvakulma:	noin 145° kulmittain noin 100° vaakasuorassa noin 72° pystysuorassa	
Käyttöjännite:	11 - 16 V==	
Kulutus:	1,8 W	
Käyttölämpötila:	-20 °C - +65 °C	
Suojausluokka:	IP68	
Tärinänkesto:	6g	
Mitat L x K x S (pidikkeen kanssa):	106 x 68 x 54 mm	
Paino:	noin 0,35 kg	

**Hyväksynät**

Laitteella on E13-hyväksyntä.





**Прочтите данную инструкцию перед монтажом и вводом в эксплуатацию и сохраните ее. В случае передачи продукта передайте инструкцию следующему пользователю.**

## Оглавление

1	Пояснение символов	137
2	Указания по безопасности и монтажу	138
3	Объем поставки	140
4	Принадлежности	140
5	Использование по назначению	141
6	Техническое описание	141
7	Указания по присоединению к электрической сети	141
8	Монтаж камеры	143
9	Уход и очистка камеры	147
10	Гарантия	147
11	Утилизация	147
12	Технические данные	148

## 1 Пояснение символов



### **ПРЕДУПРЕЖДЕНИЕ!**

**Указания по технике безопасности:** Несоблюдение может привести к смертельному исходу или тяжелым травмам.



### **ОСТОРОЖНО!**

**Указания по технике безопасности:** Несоблюдение может привести к травмам.



### **ВНИМАНИЕ!**

Несоблюдение может привести к повреждениям и нарушить работу продукта.



### **УКАЗАНИЕ**

Дополнительная информация по управлению продуктом.

## 2 Указания по безопасности и монтажу

Изготовитель не несет никакой ответственности за ущерб в следующих случаях:

- Ошибки монтажа или подключения
- Повреждения продукта из-за механических воздействий и перенапряжений
- Изменения в продукте, выполненные без однозначного разрешения изготовителя
- Использование в целях, отличных от указанных в данной инструкции

### **Соблюдайте указания по технике безопасности и требования, предписанные изготовителем автомобиля и автомастерской!**



#### **ПРЕДУПРЕЖДЕНИЕ!**

Неудовлетворительное присоединение проводов может привести к тому, что вследствие короткого замыкания

- возникает возгорание кабелей,
- срабатывает надувная подушка безопасности,
- получают повреждения электронные устройства управления,
- выходят из строя электрические функции (указатели поворота, сигнал торможения, звуковой сигнал, зажигание, освещение).



#### **ВНИМАНИЕ!**

Вследствие опасности короткого замыкания перед работами на электрической системе автомобиля всегда отсоединяйте клемму отрицательного полюса.

В автомобилях с добавочной аккумуляторной батареей Вы и на ней должны отсоединить клемму отрицательного полюса.

Поэтому соблюдайте следующие указания:

- Используйте при работах на следующих линиях только изолированные кабельные зажимы, штекеры и наружные штекеры:
  - 30 (вход положительного положительного полюса батареи, прямой)
  - 15 (включенный положительный полюс, за аккумуляторной батареей)
  - 31 (обратная цепь от аккумуляторной батареи, корпус)
  - L (левые фонари указателей поворота)
  - R (правые фонари указателей поворота)

**Не** используйте клеммовые колодки.

- Для соединения кабелей используйте обжимные клещи.
- Привинтите кабель при соединениях к проводу 31 (корпус)
  - с помощью кабельного зажима и зубчатой пружинной шайбы к винту для соединения с корпусом, имеющемуся на автомобиле или
  - с помощью кабельного зажима и самонарезающего винта к листу кузова.

Обеспечивайте хорошее соединение с корпусом!

При отсоединении клеммы отрицательного полюса аккумуляторной батареи все энергозависимые запоминающие устройства электроники систем комфорта теряют сохраненные в них данные.

- В зависимости от оснащения автомобиля, вам придется заново настроить следующие данные:
  - Код радиоприемника
  - Часы автомобиля
  - Таймер
  - Бортовой компьютер
  - Положение сидений

Указания по настройке приведены в соответствующей инструкции по эксплуатации.

При монтаже соблюдайте следующие указания:



### ОСТОРОЖНО!

- Крепите установленные в автомобиле детали так, чтобы они ни при каких условиях (резком торможении, аварии) не могли отсоединиться, тем самым **приводя к травмам пассажиров**.
- Крепите скрытые, устанавливаемые под обшивкой детали системы так, чтобы они не могли отсоединиться или повредить другие детали и провода и нарушить функции автомобиля (рулевое управление, педали и т. п.).
- Всегда соблюдайте указания изготовителя автомобиля по технике безопасности. Некоторые работы (например, на системах безопасности, в т. ч. на надувных подушках безопасности) разрешается выполнять только обученному персоналу.



### ВНИМАНИЕ!

- Во избежание повреждений при сверлении следите за достаточным свободным пространством для выхода сверла.
- Зачистите все отверстия и смажьте их антикоррозионным средством.

При работах на электрической системе соблюдайте следующие указания:



### ВНИМАНИЕ!

- Для проверки напряжения в электрических линиях используйте только диодную контрольную лампу или вольтметр. Контрольные лампы с нитью накала потребляют слишком большой ток, вследствие чего может быть повреждена электроника автомобиля.
- При прокладке электрических линий следите за тем, чтобы они
  - не перегибались и не скручивались,
  - не терлись о кромки,
  - не прокладывались без защиты через вводы, имеющие острые кромки.
- Заизолируйте все линии и соединения.
- Предохраните кабели от механических нагрузок, зафиксировав их кабельными стяжками или изоляционной лентой, например, за имеющиеся линии.

Камера является водонепроницаемой. Но уплотнения камеры не выдерживают очистки высоким давлением (рис. 4, стр. 4). Поэтому соблюдайте следующие указания по обращению с камерой:

- Не вскрывайте камеру, т. к. это отрицательно сказывается на герметичности и работоспособности (рис. 5, стр. 4).
- Не тяните за кабели, т. к. это отрицательно сказывается на герметичности и работоспособности камеры (рис. 6, стр. 4).
- Камера не пригодна для работы под водой (рис. 7, стр. 4).

### 3 Объем поставки

№ на рис. 8, стр. 5	Кол-во	Наименование	Арт. №
1	1	Черно-белая камера CAM80CM	9600000049 (PAL)/ 9600000198 (NTSC)
2	1	Держатель камеры	9102200073
3	2	Боковые крышки	
4	1	Удлинительный кабель	9102200030
–	1	Крепежный материал	

### 4 Принадлежности

Продается в качестве принадлежности (не входит в объем поставки):

Наименование	Арт. №
Удлинительный кабель 5 м	91022000028
Удлинительный кабель 8 м	91022000029
Удлинительный кабель 20 м	91022000030
Спиральный кабель для работы с прицепом	91022000031

## 5 Использование по назначению

Цветная камера CAM80CM предназначена преимущественно для использования в автомобилях. Она может применяться в видеосистемах, служащих для наблюдения за зоной вокруг автомобиля с сиденья водителя, например, при маневрировании или парковке.



### ПРЕДУПРЕЖДЕНИЕ!

Опасность нанесения автомобилем травм людям.

Видеосистемы заднего вида служат для поддержки при движении задним ходом, но **не освобождают Вас от обязанности соблюдать повышенную осторожность при движении задним ходом.**

## 6 Техническое описание

Камера размещена в алюминиевом корпусе и передает изображение и звук по кабелю к монитору. Благодаря инфракрасным светодиодам улучшается видимость ночью.

Камера передает изображение, как будто Вы смотрите в зеркало заднего вида.

Камера состоит из следующих основных элементов:

№ на рис. <b>9</b> , стр. 5	Наименование
1	б-конт. питающий кабель
2	Микрофон
3	Инфракрасные светодиоды

## 7 Указания по присоединению к электрической сети

### 7.1 Прокладка кабелей



### ВНИМАНИЕ! Опасность повреждения!

- При сверлении отверстий предварительно убедитесь в том, что имеется достаточно свободного пространства для выхода сверла.
- Неправильная прокладка и соединения кабелей ведут к постоянным выходам из строя или повреждениям деталей. Правильная прокладка и соединения кабелей - основное условие длительной, бесперебойной работы дополнительно установленных компонентов.
- Кабели не должны длительное время находиться в контакте с растворителями, например, бензином, т. к. растворители повреждают кабели.

Поэтому соблюдайте следующие указания:

- Для ввода соединительных кабелей используйте, по возможности, оригинальные вводы или другие сквозные отверстия, например, края обшивки, вентиляционные решетки или заглушки. Если сквозные отверстия отсутствуют, необходимо просверлить для каждого кабеля подходящие отверстия. Предварительно проверьте, имеется ли достаточно свободного места для выхода сверла.
- По возможности, всегда прокладывайте кабели внутри автомобиля, т. к. там они защищены лучше, чем снаружи. Если, тем не менее, Вы прокладываете кабели снаружи автомобиля, то обеспечивайте надежное крепление (с помощью дополнительных кабельных стяжек, изоленты и т. п.).
- Во избежание повреждений кабелей всегда соблюдайте при их прокладке достаточное расстояние до горячих и подвижных узлов автомобиля (выхлопных труб, приводных валов, генератора, нагревателей, вентиляторов и т. п.). Для механической защиты используйте гофрированные трубки или аналогичные защитные материалы.
- Свинтите штекерные соединения соединительных кабелей для защиты от попадания воды. (рис. 17, стр. 7).
- При прокладке кабелей следите за тем, чтобы они
  - не перегибались и не скручивались,
  - не терлись о кромки,
  - не прокладывались без защиты через вводы, имеющие острые кромки (рис. 3, стр. 4).
- Надежно крепите кабели в автомобиле, чтобы предотвратить запутывание (опасность падения). Надежное крепление можно обеспечить, используя кабельные стяжки, изоленту или клей.
- Защищайте подходящим образом каждое отверстие в наружной облицовке от попадания воды, например, путем установки кабеля с герметиком и нанесения герметика на кабель и проходную втулку.



#### УКАЗАНИЕ

Начинайте герметизацию отверстий только после того, как все работы по настройке камеры закончены и определены длины соединительных кабелей.

## 8 Монтаж камеры

### 8.1 Требуемый инструмент

Для **установки и монтажа** требуется следующий инструмент:

- Комплект сверл (рис. **1** 1, стр. 3)
- Дрель (рис. **1** 2, стр. 3)
- Отвертка (рис. **1** 3, стр. 3)
- Комплект накладных или рожковых гаечных ключей (рис. **1** 4, стр. 3)
- Линейка (рис. **1** 5, стр. 3)
- Молоток (рис. **1** 6, стр. 3)
- Кернер (рис. **1** 7, стр. 3)

Для **электрического подключения** и его проверки требуются следующие вспомогательные средства:

- Диодная контрольная лампа (рис. **1** 8, стр. 3) или вольтметр (рис. **1** 9, стр. 3)
- Обжимные клещи (рис. **1** 10, стр. 3)
- Изоляционная лента (рис. **1** 11, стр. 3)
- При известных обстоятельствах, проходные втулки

Для **крепления кабелей** могут потребоваться также дополнительные кабельные стяжки.

### 8.2 Монтаж камеры



#### **ОСТОРОЖНО!**

Выберите место монтажа камеры так и закрепите ее настолько надежно и безопасно, чтобы ни при каких обстоятельствах не могли получить травмы находящиеся вблизи люди, например, если задевшие крышу автомобиля ветки оборвут камеру.



#### **УКАЗАНИЕ**

Если вследствие установки камеры изменяется внесенная в документацию на автомобиль высота или длина автомобиля, то требуется повторная приемка компетентными органами (например, ГИБДД).

Органы ГИБДД должны внести отметку от новой приемки в документацию на автомобиль.

При монтаже соблюдайте следующие указания:

- Установите камеру на подходящий угол обзора на высоте не менее двух метров.  
При монтаже обеспечивайте достаточно устойчивое рабочее место.

- Следите за тем, чтобы место монтажа камеры было достаточно прочным (например, задевающие крышу автомобиля ветки могут запутаться в камере).
- Установите держатель камеры горизонтально и по центру в задней части автомобиля (рис. 10, стр. 6).
- Самый надежный метод крепления - это винты, проходящие через кузов. При этом соблюдайте следующие указания:
  - За выбранным положением монтажа должно иметься достаточно свободного места для монтажа.
  - Каждое отверстие должно быть подходящим образом защищено от попадания воды (например, путем установки винтов с герметиком и/или нанесения герметика на наружные крепежные элементы).
  - Кузов в месте крепления должен иметь достаточную прочность, чтобы можно было достаточно прочно закрепить держатель камеры.
- Предварительно проверьте, имеется ли достаточно свободного места для выхода сверла (рис. 2, стр. 4).
- Если Вы не уверены в правильности выбора места монтажа, то обратитесь к изготовителю кузова или в его представительство.

**УКАЗАНИЕ**

Для уменьшения коррозии винтов смажьте резьбу консистентной смазкой.

При монтаже соблюдайте следующий порядок действий:

- Приложите держатель камеры к выбранному месту монтажа и разметьте не менее двух различных центров сверления (рис. 11, стр. 6).
- Во избежание увода сверла предварительно накерните ранее размеченные центры, используя молоток и кернер.

**Если Вы хотите привинтить камеру самонарезающими винтами (рис. 12, стр. 6)**

**ВНИМАНИЕ! Опасность повреждения!**

Крепление самонарезающими винтами разрешается выполнять только в стальных листах толщиной не менее 1,5 мм.

- Просверлите в ранее размеченных точках по одному отверстию  $\varnothing$  4 мм.
- Зачистите все отверстия и смажьте их антикоррозионным средством.
- Привинтите держатель камеры самонарезающими винтами 5 x 20 мм.



**Если Вы хотите закрепить камеру шурупами через кузов (рис. 13, стр. 6)****ВНИМАНИЕ! Опасность повреждения!**

Убедитесь в том, что при затягивании гайки не продавливаются через кузов.

При необходимости, используйте большие подкладные шайбы или пластины.

- Просверлите в ранее размеченных точках по одному отверстию  $\varnothing 4,5$  мм.
- Зачистите все отверстия и смажьте их антикоррозионным средством.
- Привинтите держатель камеры шурупами М5 x 20 мм.  
В зависимости от толщины кузова, могут потребоваться более длинные шурупы.

**Выполнить отверстие для питающего кабеля камеры (рис. 14, стр. 6)****УКАЗАНИЕ**

Для ввода соединительных кабелей используйте, по возможности, имеющиеся сквозные отверстия, например, вентиляционные решетки. Если сквозные отверстия отсутствуют, необходимо просверлить отверстие  $\varnothing 16$  мм.

**ВНИМАНИЕ! Опасность повреждения!**

Предварительно проверьте, имеется ли достаточно свободного места для выхода сверла.

- Просверлите вблизи камеры отверстие  $\varnothing 16$  мм.
- Зачистите все отверстия в листе и смажьте их антикоррозионным средством.
- Во все отверстия с острыми краями установите проходные втулки.

**Монтаж камеры****ВНИМАНИЕ! Опасность повреждения!**

Для монтажа камеры используйте только винты, входящие в объем поставки. Более длинные винты повреждают камеру.

- Вставьте камеру в держатель.
- Закрепите камеру **неплотно** двумя винтами М3 x 8 мм в продольных отверстиях (рис. 15, стр. 6).
- Временно расположите камеру так, чтобы объектив образовывал угол около  $50^\circ$  относительно вертикальной оси автомобиля (рис. 16, стр. 7).

**ВНИМАНИЕ! Опасность повреждения!**

Не устанавливайте камеру без защитного устройства.

## Электрическое подключение камеры



### УКАЗАНИЕ

- Прокладывайте кабель камеры так, что при возможно необходимом демонтаже камеры было легко доступным штекерное соединение между камерой и удлинительным кабелем. Это значительно облегчает демонтаж.
- Для уменьшения коррозии добавьте немного консистентной смазки, например, смазки для полюсов аккумуляторных батарей, в один из штекеров.
- При необходимости, предлагаются и другие удлинительные кабели (см. гл. «Принадлежности» на стр. 140).

- Введите кабель камеры внутрь автомобиля.
- Вставьте штекер кабеля камеры в гнездо удлинительного кабеля.
- Свинтите штекерное соединение для защиты от попадания воды. (рис. **17**, стр. 7).

## Регулировка камеры



### УКАЗАНИЕ

Для регулировки камеры Вы должны вначале установить и присоединить монитор (см. принципиальную электрическую схему рис. **18**, стр. 7).

- Отрегулируйте камеру, основываясь на изображении на мониторе.  
У нижнего края изображения мониторе должна отображаться задняя часть или бампер Вашего автомобиля. Центр бампера также должен находиться в центре изображения на мониторе (рис. **19**, стр. 7).
- Проверьте работу камеру после того, как Вы присоединили ее к монитору.

## Крепление камеры

- Затяните оба крепежных винта в продольных отверстиях держателя камеры.
- Закрепите боковые крышки двумя винтами М3 x 8 мм в средних отверстиях (рис. **20**, стр. 8).

## 9 Уход и очистка камеры



### **ВНИМАНИЕ! Опасность повреждения!**

Не использовать для очистки острые или твердые инструменты, и. к. это может привести к повреждениям прибора.

- ▶ Периодически очищайте камеру мягкой, влажной тряпкой.

## 10 Гарантия

Действителен установленный законом срок гарантии. Если продукт неисправен, обратитесь в представительство изготовителя в Вашей стране (адреса см. на оборотной стороне инструкции) или в торговую организацию.

В целях проведения ремонта или гарантийного обслуживания Вы должны также послать следующее:

- неисправные компоненты,
- копию счета с датой покупки,
- причину рекламации или описание неисправности.

## 11 Утилизация

- ▶ По возможности, выкидывайте упаковочный материал в мусор, подлежащий вторичной переработке.



Если Вы окончательно выводите продукт из эксплуатации, то получите информацию в ближайшем центре по вторичной переработке или в торговой сети о соответствующих предписаниях по утилизации.

**12 Технические данные**

	<b>PerfectView CAM80CM</b>	
Арт. №:	9600000049	9600000198
Формирователь видеосигналов:	1/3" ПЗС	
Точки изображения:	ок. 270000 пикселей	
Видеостандарт:	PAL, 1 Vpp	NTSC, 1 Vpp
Чувствительность:	< 1 лк	
Угол обзора:	ок. 145° по диагонали ок. 100° по горизонтали ок. 72° по вертикали	
Рабочее напряжение:	11 – 16 В---	
Потребляемая мощность:	1,8 Вт	
Рабочая температура:	от -20 °С до +65 °С	
Класс защиты:	IP68	
Вибростойкость:	6g	
Размеры, Ш x В x Г (с держателем):	106 x 68 x 54 мм	
Вес:	ок. 0,35 кг	

**Допуски**

Прибор имеет допуск E13.



**Przed instalacją i uruchomieniem urządzenia należy uważnie przeczytać niniejszą instrukcję. Instrukcję należy zachować. W razie przekazywania urządzenia należy ją udostępnić kolejnemu nabywcy.**

## Spis treści

1	Objaśnienia symboli . . . . .	149
2	Uwagi dotyczące bezpieczeństwa i montażu . . . . .	150
3	Zakres dostawy . . . . .	152
4	Osprzęt . . . . .	152
5	Użytkowanie zgodne z przeznaczeniem . . . . .	153
6	Opis techniczny . . . . .	153
7	Wskazówki dot. podłączenia elektrycznego . . . . .	153
8	Montaż kamery . . . . .	155
9	Pielęgnacja i czyszczenie kamery . . . . .	159
10	Gwarancja . . . . .	159
11	Utylizacja . . . . .	159
12	Dane techniczne . . . . .	160

## 1 Objąsnienia symboli



### **OSTRZEŻENIE!**

**Wskazówka dot. bezpieczeństwa:** Nieprzestrzeżenie może prowadzić do śmierci lub ciężkich obrażeń ciała.



### **OSTROŻNIE!**

**Wskazówka dot. bezpieczeństwa:** Nieprzestrzeżenie może prowadzić do obrażeń ciała.



### **UWAGA!**

Nieprzestrzeżenie może prowadzić do powstania szkód materialnych i zakłóceń w działaniu produktu.



### **WSKAZÓWKA**

Informacje uzupełniające dot. obsługi produktu.

## 2 Uwagi dotyczące bezpieczeństwa i montażu

Producent nie odpowiada za szkody spowodowane:

- błędami powstałymi w trakcie montażu lub podłączania
- uszkodzeniem produktu w sposób mechaniczny lub spowodowany przeciążeniami elektrycznymi
- zmianami dokonanymi w produkcie bez wyraźnej zgody producenta
- użytkowaniem w celach innych niż opisane w niniejszej instrukcji

### Należy stosować się do uwag dot. bezpieczeństwa i dokumentacji udostępnianych przez producenta urządzenia oraz pojazdu!



#### OSTRZEŻENIE!

Niewłaściwe połączenia przewodów mogą sprawić, że na skutek zwarcia dojdzie do:

- spalenia kabli,
- uruchomienia poduszki powietrznej,
- uszkodzenia sterowników elektronicznych,
- awarii funkcji elektrycznych (kierunkowskazów, światła hamowania, buzera, zapłonu, światła).



#### UWAGA!

Ze względu na zagrożenie zwarciem przed wykonywaniem prac związanych z elektroniką pojazdu należy odłączyć biegun ujemny akumulatora.

Biegun ujemny należy odłączyć również od dodatkowego akumulatora (jeśli taki występuje).

Dlatego należy stosować się do następujących wskazówek:

- Podczas pracy przy następujących przewodach należy używać tylko izolowanych końcówek kablowych, wtyczek i tulejek wtykowych płaskich:
  - 30 (stałe napięcie +12 V)
  - 15 (napięcie +12 V „po stacyjce”)
  - 31 (połączenie z masą pojazdu)
  - L (światła kierunkowskazu – lewe)
  - P (światła kierunkowskazu – prawe)

Zabronione jest używanie łączników świecznikowych.

- Do łączenia kabli należy używać zagniatacza.
- Należy przymocować kabel przewodu 31 (masa)
  - za pomocą końcówki kablowej i podkładki zębatej do śruby masowej lub
  - za pomocą końcówki kablowej do blachy karoserii.

Należy zwrócić uwagę na prawidłowe połączenie z masą!

Po odłączeniu bieguna ujemnego akumulatora może nastąpić utrata pamięci niektórych ustawień.

- Wówczas konieczne jest ponowne ustawienie następujących danych (w zależności od wyposażenia pojazdu):
  - Kod radia
  - Zegar pojazdu
  - Zegar sterujący
  - Komputer pokładowy
  - Pozycja siedzenia

Wskazówki dot. ich ustawiania znajdują się w instrukcji obsługi pojazdu.

Podczas montażu należy stosować się do następujących wskazówek:



### OSTROŻNIE!

- Montowane części mocować w pojeździe tak, aby w żadnych warunkach nie mogło dojść do ich poluzowania (ostre hamowanie, wypadek komunikacyjny), a w konsekwencji, do **obrażeń ciała pasażerów**.
- Części umieszczane pod osłoną należy mocować tak, aby w przyszłości nie mogło dojść do ich poluzowania lub uszkodzenia innych części i przewodów oraz nieprawidłowego działania innych funkcji (układ kierowniczy, pedały itd.).
- Zawsze należy stosować się do zasad bezpieczeństwa podanych przez producenta. Niektóre prace (np. przy systemach zabezpieczających, takich jak zestaw poduszek powietrznych) mogą wykonywać jedynie odpowiednio wykwalifikowani specjaliści.



### UWAGA!

- Podczas wiercenia należy pamiętać o pozostawieniu wystarczającej ilości miejsca dla wiertła. Pozwoli to uniknąć ewentualnych uszkodzeń.
- Należy usunąć wióry z wywierconego otworu, a następnie zabezpieczyć otwór środkiem antykorozyjnym.

Podczas prac przy częściach elektrycznych należy stosować się do następujących wskazówek:



### UWAGA!

- Do sprawdzania napięcia w przewodach elektrycznych należy używać tylko diodowej lampki kontrolnej lub woltomierza. Lampki kontrolne z żarnikiem pobierają za dużo prądu, co może skutkować uszkodzeniem elektroniki pojazdu.
- Podczas układania przewodów elektrycznych sprawdzić, czy
  - nie są one zgięte lub przekręcone,
  - nie opierają się o krawędzie,
  - zostały zabezpieczone przed ostrokrawędziowymi przelotkami.
- Należy wykonać izolację wszystkich połączeń i przyłączy.
- Należy zabezpieczyć kabel przed uszkodzeniami mechanicznymi za pomocą zapinki lub taśmy izolującej, np. na istniejących przewodach.

Kamera jest wodoodporna. Jej uszczelki nie są jednak odporne na działanie czyszczących urządzeń wysokociśnieniowych (rys. **4**, strona 4). Dlatego podczas korzystania z kamery należy stosować się do następujących wskazówek:

- Nie wolno otwierać urządzenia, ponieważ otwieranie może wpłynąć negatywnie na jego szczelność i sprawność działania (rys. **5**, strona 4).
- Nie należy pociągać za przewody, ponieważ może to wpłynąć negatywnie na szczelność i sprawność urządzenia (rys. **6**, strona 4).
- Kamera nie nadaje się do zastosowania pod wodą (rys. **7**, strona 4).

### 3 Zakres dostawy

Nr na rys. <b>8</b> , strona 5	Ilość	Nazwa	Nr produktu
1	1	Kamera kolorowa CAM80CM	9600000049 (PAL)/ 9600000198 (NTSC)
2	1	Uchwyt kamery	9102200073
3	2	Oslony boczne	
4	1	Przewód przedłużający	9102200030
-	1	Materiał mocujący	

### 4 Osprzęt

Elementy dostępne jako osprzęt (nieobjęte zakresem dostawy):

Nazwa	Nr produktu
Przewód przedłużający 5 m	91022000028
Przewód przedłużający 8 m	91022000029
Przewód przedłużający 20 m	91022000030
Przewód spiralny dla przycyepy	91022000031



## 5 Użytkowanie zgodne z przeznaczeniem

Kamera kolorowa CAM80CM jest przeznaczona przede wszystkim do zastosowania w pojazdach. Kamera ta znajduje zastosowanie w systemach wideo służących do obserwowania obszaru wokół pojazdu z pozycji siedzenia kierowcy np. podczas manewrowania lub parkowania.



### OSTRZEŻENIE!

Niebezpieczeństwo obrażeń ciała związane z pojazdem.

Systemy wideo ułatwiające cofanie zapewniają pomoc podczas jazdy wstecz, jednakże **nie** zwalniają kierowcy z **obowiązku zachowania szczególnej ostrożności w trakcie wykonywania tego manewru.**

## 6 Opis techniczny

Kamera jest umieszczona w aluminiowej obudowie i przynosi obraz oraz dźwięk za pomocą przewodu do monitora. Podczerwone diody LED zapewniają lepszą widoczność w nocy.

Kamera przekazuje obraz porównywalny z obrazem uzyskiwanym za pomocą lusterka wstecznego.

Kamera składa się m.in. z następujących elementów:

Nr na rys. <b>9</b> , strona 5	Nazwa
1	6-biegunowy przewód przyłączeniowy
2	Mikrofon
3	Podczerwone diody LED

## 7 Wskazówki dot. podłączenia elektrycznego

### 7.1 Układanie przewodów



#### UWAGA! Niebezpieczeństwo uszkodzenia!

- Przed rozpoczęciem wiercenia należy sprawdzić, czy jest wystarczająco dużo miejsca na wylot wiertła.
- Nieprawidłowe ułożenie i połączenie kabli prowadzi do wadliwego działania lub uszkodzenia części. Prawidłowe ułożenie i połączenie kabli stanowi warunek trwałego i niezakłóconego funkcjonowania montowanych dodatkowo elementów wyposażenia.
- Przewody nie mogą mieć przez dłuższy czas kontaktu z rozpuszczalnikami, np. z benzyną, ze względu na ryzyko uszkodzenia.

Dlatego należy stosować się do następujących wskazówek:

- Do przeciągnięcia kabli przyłączeniowych w miarę możliwości należy użyć oryginalnych przepustów lub innych przejść, jak np. krawędzie osłony, kratka wentylacyjna lub ślepy włącznik. W przypadku braku przepustów należy wywiercić na przewody odpowiednie otwory. Przedtem konieczne jest sprawdzenie, czy jest wystarczająco dużo miejsca na wylot wiertła.
- W miarę możliwości przewody należy kłaść zawsze we wnętrzu pojazdu, ponieważ tam są lepiej zabezpieczone niż na zewnątrz, przy pojeździe. Jeśli jednak mimo to przewody będą kładzione na zewnątrz pojazdu, należy pamiętać o ich odpowiednim zamocowaniu (należy zastosować dodatkowe zapinki, taśmy izolujące itd.).
- Aby uniknąć uszkodzenia przewodów podczas ich układania należy zachować wystarczającą odległość od gorących i ruchomych części pojazdu (rur wydechowych, wałków napędowych, alternatora, wentylatorów, ogrzewania, itd.) W celu zapewnienia ochrony mechanicznej należy zastosować rurę osłonową lub podobne materiały zabezpieczające.
- Należy przymocować połączenia wtykowe kabla łączącego za pomocą śrub w celu ochrony przed wnikaniem wody (rys. 17, strona 7).
- Podczas układania kabli należy sprawdzić, czy:
  - nie są one mocno zgięte lub skręcone,
  - nie ocierają się o krawędzie,
  - zostały zabezpieczone przed ostro zakończonymi przepustami (rys. 3, strona 4).
- Przewody w pojeździe należy przymocować tak, aby nie doszło do ich zaplątania (obsunięcia). Można użyć do tego zapinek, taśmy izolującej lub kleju.
- Każde wycięcie w powłoce zewnętrznej należy odpowiednio zabezpieczyć przed wodą, np. poprzez włożenie przewodu z masą uszczelniającą i spryskanie go oraz tulejki przepustowej tą masą.



#### **WSKAZÓWKA**

Do uszczelnienia wycięcia można przystąpić dopiero po przeprowadzeniu wszystkich prac nastawczych przy kamerze oraz w przypadku, gdy ustalone są wymagane długości przewodów przyłączeniowych.

## 8 Montaż kamery

### 8.1 Potrzebne narzędzia

Do **montażu** potrzebne są następujące narzędzia:

- Zestaw wiertel (rys. **1** 1, strona 3)
- Wiertarka (rys. **1** 2, strona 3)
- Śrubokręty (rys. **1** 3, strona 3)
- Zestaw kluczy oczkowych lub szczękowych (rys. **1** 4, strona 3)
- Przymiar (rys. **1** 5, strona 3)
- Młotek (rys. **1** 6, strona 3)
- Punktak (rys. **1** 7, strona 3)

Do **podłączenia elektrycznego** i jego sprawdzenia potrzebne są następujące środki pomocnicze:

- Lampka kontrolna diodowa (rys. **1** 8, strona 3) lub woltomierz (rys. **1** 9, strona 3)
- Obcęgi zaciskowe (rys. **1** 10, strona 3)
- Taśma izolacyjna (rys. **1** 11, strona 3)
- Ew. tuleje do przepustów kablowych

Do **przymocowania przewodów** mogą być jeszcze potrzebne dodatkowe zapinki.

### 8.2 Montaż kamery



#### **OSTROŻNIE!**

Wybierając miejsce do montażu i mocując kamerę, należy zapewnić bezpieczeństwo osób, które mogą znaleźć się w jej pobliżu. Ewentualne zagrożenie może zostać spowodowane np. oderwaniem kamery przez gałęzie znajdujące się nad dachem pojazdu.



#### **WSKAZÓWKA**

Jeśli zamontowanie kamery powoduje zmianę wysokości i długości pojazdu umieszczonej w dokumentach pojazdu, konieczny jest ponowny odbiór przez uprawnioną jednostkę certyfikującą (TÜV, DEKRA itd.).

Fakt dokonania ponownego odbioru należy zgłosić do wpisania przez urząd ruchu drogowego do dokumentów pojazdu.

Podczas montażu należy stosować się do następujących wskazówek:

- Aby uzyskać odpowiedni kąt widzenia, kamerę należy umieścić na wysokości co najmniej dwóch metrów.  
Podczas montażu należy zapewnić sobie wystarczająco dużo miejsca do pracy w pozycji stojącej.
- Należy zwrócić uwagę na to, czy miejsce montażu cechuje się wystarczającą wytrzymałością (czy np. w kamerę nie mogą się wplątać gałęzie znajdujące się na dachu pojazdu).
- Uchwyt kamery należy zamontować poziomo, na środku tyłu pojazdu (rys. 10, strona 6).
- Najlepszym sposobem zamocowania jest użycie śrub przechodzących przez ściankę nadwozia. Należy stosować się do następujących wskazówek:
  - Za wybraną pozycją montażową musi być wystarczająco dużo miejsca dla montażu.
  - Każde wycięcie w warstwie zewnętrznej należy odpowiednio zabezpieczyć przed wodą (np. poprzez umieszczenie w nim śrub z masą uszczelniającą i/lub spryskanie zewnętrznych części mocujących tą masą).
  - Nadwozie w miejscu mocowania musi być odpowiednio wytrzymałe – tak, aby można było dostatecznie mocno dociągnąć uchwyt kamery.
- Przedtem należy sprawdzić, czy jest odpowiednio dużo miejsca na wyjście wiertła (rys. 2, strona 4).
- W przypadku wątpliwości co do wyboru miejsca montażu należy skontaktować się z producentem nadwozia lub jego przedstawicielem.



#### WSKAZÓWKA

Aby zminimalizować ryzyko korozji śrub, należy nasmarować gwinty.

Podczas montażu należy postępować w następujący sposób:

- Należy przytrzymać uchwyt kamery w wybranym miejscu montażu, a następnie zaznaczyć co najmniej dwa punkty nawiercania (rys. 11, strona 6).
- Należy wykonać punktowanie w uprzednio zarysowanych miejscach za pomocą młotka lub punktaka; pozwoli to uniknąć umieszczenia wiertła w nieprawidłowym miejscu.

#### Mocowanie kamery za pomocą wkrętów do blachy (rys. 12, strona 6)



#### UWAGA! Niebezpieczeństwo uszkodzenia!

Mocowanie za pomocą wkrętów można przeprowadzać tylko w blachach stalowych o minimalnej grubości wynoszącej 1,5 mm.

- W uprzednio zaznaczonych punktach należy wywiercić otwory o średnicy 4 mm.
- Wszystkie otwory wiercone należy wygładzić i zabezpieczyć preparatem antykorozyjnym.
- Uchwyt kamery należy przykręcić za pomocą wkrętów do blachy o wymiarze 5 x 20 mm.

## Przymocowanie kamery za pomocą śrub gwintowanych do nadwozia (rys. 13, strona 6)



### UWAGA! Niebezpieczeństwo uszkodzenia!

Należy uważać, aby podczas dociągania nakrętki nie przecisnęły się przez ściankę nadwozia.

W razie potrzeby należy użyć większych podkładek lub płytek blaszanych.

- W uprzednio zaznaczonych punktach należy wywiercić otwory o średnicy 4,5 mm.
- Wszystkie otwory wiercone należy wygładzić i zabezpieczyć preparatem antykorozyjnym.
- Uchwyt kamery należy przykręcić za pomocą wkrętów do blachy o wymiarze M5 x 20 mm. W zależności od wytrzymałości nadwozia potrzebne są dłuższe lub krótsze śruby gwintowane.

## Wykonanie wycięcia na przewód przyłączeniowy kamery (rys. 14, strona 6)



### WSKAZÓWKA

Do przeciągnięcia kabli przyłączeniowych należy użyć w miarę możliwości istniejących przepustów, jak np. kratka wentylacyjna. Jeśli nie istnieją żadne przepusty, należy wywiercić otwór o średnicy 16 mm.



### UWAGA! Niebezpieczeństwo uszkodzenia!

Konieczne jest sprawdzenie, czy istnieje odpowiednio dużo miejsca na wylot wiertła.

- Należy wywiercić w pobliżu kamery otwór o średnicy 16 mm.
- Wszystkie otwory wiercone w blasze należy wygładzić i zabezpieczyć preparatem antykorozyjnym.
- Wszystkie ostro zakończone przepusty należy zabezpieczyć tulejką przepustową.

## Montaż kamery



### UWAGA! Niebezpieczeństwo uszkodzenia!

Do montażu kamery należy używać tylko dołączonych śrub. Dłuższe śruby spowodują jej uszkodzenie.

- Kamerę należy wsunąć w uchwyt.
- Należy umocować kamerę **luźno** za pomocą dwóch śrub M3 x 8 mm w otworach podłużnych (rys. 15, strona 6).
- Należy prowizorycznie ustawić kamerę w taki sposób, aby obiektyw tworzył z pionową osią pojazdu kąt ok. 50° (rys. 16, strona 7).



### UWAGA! Niebezpieczeństwo uszkodzenia!

Nigdy nie montować kamery bez osłony.

## Podłączanie elektryczne kamery



### WSKAZÓWKA

- Przewód kamery należy położyć tak, aby w razie konieczności demontażu można było w łatwy sposób uzyskać dostęp do połączenia wtyczkowego pomiędzy kamerą a przewodem przedłużającym. Ułatwi to w znacznym stopniu demontaż.
- Aby zminimalizować ryzyko korozji wtyczki, należy nasmarować jej środek, na przykład smarem bieżunowym.
- W razie potrzeby dostępne są inne przewody przedłużające (zob. rozdz. „Osprzęt” na stronie 152).

- Należy wprowadzić przewód kamery do wnętrza pojazdu.
- Należy włożyć wtyczkę przewodu kamery do gniazda wtykowego przewodu przedłużającego.
- Połączenie wtykowe należy przymocować za pomocą śrub w celu ochrony przed wnikaniem wody (rys. 17, strona 7).

## Ustawianie kamery



### WSKAZÓWKA

Aby można było ustawić kamerę, należy najpierw zamontować i podłączyć elektrycznie monitor (zob. zasadniczy schemat połączeń rys. 18, strona 7).

- Należy ustawić kamerę za pomocą obrazu na monitorze:  
Na monitorze, w dolnej krawędzi obrazu, powinien być widoczny tył lub zderzak pojazdu. Środek zderzaka powinien być jednocześnie środkiem obrazu (rys. 19, strona 7).
- Po podłączeniu monitora sprawdzić działanie kamery.

## Mocowanie kamery

- Należy dokręcić obie śruby mocujące w otworach podłużnych uchwytu kamery.
- Osłony boczne należy zamocować za pomocą obu śrub M3 x 8 mm, wkręcając je w środkowe otwory gwintowane (rys. 20, strona 8).

## 9 Pielęgnacja i czyszczenie kamery



### **UWAGA! Niebezpieczeństwo uszkodzenia!**

Do czyszczenia nie wolno używać ostrych i twardych środków, ponieważ mogą one uszkodzić urządzenie.

- ▶ Od czasu do czasu należy czyścić kamerę wilgotną ściereczką.

## 10 Gwarancja

Warunki gwarancji zostały opisane w Karcie Gwarancyjnej dołączonej do produktu.

W celu naprawy lub rozpatrzenia gwarancji konieczne jest przesłanie:

- uszkodzonych komponentów,
- kopii rachunku z datą zakupu,
- informacji o przyczynie reklamacji lub opisu wady.

## 11 Utylizacja

- ▶ Opakowanie należy wyrzucić do odpowiedniego pojemnika na śmieci do recyklingu.



Jeżeli produkt nie będzie dłużej eksploatowany, konieczne dowiedz się w najbliższym zakładzie recyklingu lub w specjalistycznym sklepie, jakie są aktualnie obowiązujące przepisy dotyczące utylizacji.

**12 Dane techniczne**

<b>PerfectView CAM80CM</b>		
Nr produktu:	9600000049	9600000198
Czujnik obrazu:	1/3" CCD	
Punkty obrazowe:	ok. 270000 pikseli	
Standard video:	PAL, 1 Vpp	NTSC, 1 Vpp
Czułość:	< 1 luksa	
Kąt widzenia:	ok. 145° o przekątnej ok. 100° w poziomie ok. 72° w pionie	
Napięcie robocze:	11 – 16 V==	
Zużycie:	1,8 W	
Temperatura robocza:	od -20 °C do +65 °C	
Stopień ochrony:	IP68	
Odporność na wibracje:	6g	
Wymiary Szer. x Wys. x Gł. (z uchwytem):	106 x 68 x 54 mm	
Waga:	ok. 0,35 kg	

**Atesty**

Urządzenie posiada atest E13.





**Pred montážou a uvedením do prevádzky si prosím pozorne prečítajte tento návod a odložte si ho. V prípade odovzdania výrobku ďalšiemu používateľovi mu odovzdajte aj tento návod.**

## Obsah

1	Vysvetlenie symbolov	161
2	Pokyny týkajúce sa bezpečnosti a montáže	162
3	Obsah dodávky	164
4	Príslušenstvo	164
5	Používanie v súlade s určením	165
6	Technický opis	165
7	Upozornenia a pokyny týkajúce sa elektrického zapojenia	165
8	Montáž kamery	167
9	Ošetrovanie a čistenie kamery	170
10	Záruka	170
11	Likvidácia	171
12	Technické údaje	171

## 1 Vysvetlenie symbolov



### VÝSTRAHA!

**Bezpečnostný pokyn:** Nerešpektovanie môže viesť k smrti alebo k ťažkému zraneniu.



### UPOZORNENIE!

**Bezpečnostný pokyn:** Nerešpektovanie môže viesť k zraneniam.



### POZOR!

Nerešpektovanie môže viesť k materiálным škodám a môže ovplyvniť funkciu zariadenia.



### POZNÁMKA

Doplňujúce informácie k obsluhu výrobku.

## 2 Pokyny týkajúce sa bezpečnosti a montáže

Výrobca v nasledujúcich prípadoch nepreberá za škody žiadnu záruku:

- Chyby montáže alebo pripojenia
- Poškodenia produktu mechanickými vplyvmi a prepätiami
- Zmeny produktu bez vyjadreného povolenia výrobcu
- Použitie na iné účely ako sú účely uvedené v návode

### **Dodržiavajte bezpečnostné pokyny a podmienky predpísané výrobcom vozidla a združením automobilového priemyslu!**



#### **VÝSTRAHA!**

Nedostatočné spojenia vodičov môžu mať za následok, že na základe skratu

- vznikne požiar z káblov,
- aktivuje sa airbag,
- poškodia sa riadiace zariadenia,
- vypadnú elektrické funkcie (smerové svetlá, brzdomé svetlo, klaksón, zapalovanie, svetlá).



#### **POZOR!**

Pred začatím prác na elektrickom zariadení vozidla vždy najprv odpojte záporný pól, aby sa vylúčilo nebezpečenstvo skratu.

Ak má vozidlo prídavnú batériu, aj tu musíte odpojiť záporný pól.

Rešpektujte preto nasledovné upozornenia:

- Pri prácach na nasledovných vedeniach používajte len izolované káblové koncovky, konektory a ploché dutinky na konektor:
    - 30 (vstup z batérie, kladné napätie, priamo)
    - 15 (zopnuté kladné napätie, za batériou)
    - 31 (spätný vodič od batérie, kostra)
    - L (smerové svetlá vľavo)
    - R (smerové svetlá vpravo)
  - **Nepoužívajte** svietidlové spojky.
  - Na spojenie káblov použite krimpovacie kliešte.
  - Priskrutkujte kábel pri zapojeniach k vodiču 31 (kostra)
    - spolu s káblou koncovkou a ozubenou podložkou na ukostrovaciu skrutku vozidla alebo
    - spolu s káblou koncovkou a skrutkou na plech na plech karosérie.
- Dbajte na to, aby bol prenos na kostru dostatočný!

Pri odpojení záporného pólu batérie stratia všetky prechodné pamäte komfortnej elektroniky svoje uložené údaje.

- V závislosti od vyhotovenia vozidla je potrebné znova nastaviť nasledovné údaje:
  - Kód rádia
  - Hodiny vozidla
  - Spínacie hodiny
  - Palubný počítač
  - Poloha sedadiel

Pokyny na nastavenie nájdete v príslušnom návode na používanie.

Pri montáži dodržiavajte nasledovné pokyny:



### UPOZORNENIE!

- Upevnite časti namontované vo vozidle tak, aby sa za žiadnych okolností (prudké zabrzdzenie, dopravná nehoda) neuvolnili a nemohli spôsobiť **poranenia posádky vozidla**.
- Upevnite časti systému tak, že ich skryjete pod obloženie, a to tak, aby sa neuvolnili alebo nepoškodili iné časti alebo iné vedenia a aby sa nepriaznivo neovplyvnili funkcie vozidla (riadenie, pedále atď.).
- Vždy dodržiavajte bezpečnostné upozornenia výrobcu vozidla. Niektoré práce (napr. na zadržiavacích systémoch ako airbag atď.) smie vykonávať len vyškolený odborný personál.



### POZOR!

- Pri vŕtaní dajte pozor, aby mal vrták na výstupe dostatok priestoru, aby sa predišlo poškodeniam.
- Odstráňte výronky z každého vyvŕtaného otvoru a ošetrte ich antikoročným prostriedkom.

Pri práci na elektrických častiach dodržiavajte nasledovné pokyny:



### POZOR!

- Na kontrolu napätia v elektrických vedeniach používajte len diódovú skúšobnú lampu alebo voltmeter. Skúšobné lampy s osvetľovacím telesom zachytia príliš vysoký prúd, ktorým by sa mohla poškodiť elektronika vozidla.
- Pri uložení elektrického pripojenia dávajte pozor,
  - aby kábel nebol silno stlačený alebo prekrútený,
  - aby sa neodieral o hrany,
  - aby bez ochrany nevedol cez ostré prechody.
- Zaizolujte všetky spojenia a prípojky.
- Zaisťujte káble proti mechanickému namáhaniu pomocou viazačov káblov alebo izolačnej pásky, napr. existujúce vedenia.

Kamera je vodotesná. Tesnenia kamery však neodolajú tlaku vysokotlakového čističa (obr. 4, strane 4). Pri manipulácii s kamerou dodržiavajte nasledovné upozornenia:

- Neotvárajte kameru, pretože by to mohlo nepriaznivo ovplyvniť jej tesnosť a funkčnosť (obr. 5, strane 4).
- Neťahajte kábel, pretože to môže nepriaznivo ovplyvniť tesnosť a funkčnosť kamery (obr. 6, strane 4).
- Kamera nie je vhodná na prevádzku pod vodou (obr. 7, strane 4).

### 3 Obsah dodávky

Č. na obr. 8, strane 5	Množstvo	Označenie	Č. výrobku
1	1	Farebná kamera CAM80CM	9600000049 (PAL)/ 9600000198 (NTSC)
2	1	Držiak kamery	9102200073
3	2	Bočné kryty	
4	1	Predĺžovací kábel	9102200030
-	1	Upevňovací materiál	

### 4 Príslušenstvo

Dostupné ako príslušenstvo (nie je súčasťou dodávky):

Označenie	Č. výrobku
Predĺžovací kábel 5 m	91022000028
Predĺžovací kábel 8 m	91022000029
Predĺžovací kábel 20 m	91022000030
Špirálový kábel pre prevádzku s príviesom	91022000031

## 5 Používanie v súlade s určením

Farebná kamera CAM80CM je určená prednostne na používanie vo vozidlách. Dá sa použiť vo videosystémoch, ktoré slúžia na pozorovanie priestoru okolo vozidla zo sedadla vodiča, napr. pri posunovaní alebo parkovaní.



### VÝSTRAHA!

Nebezpečenstvo ublíženia na zdraví vychádzajúce z vozidla.

Cúvacie videosystémy predstavujú pomoc pri cúvaní, avšak **nezbavujú** vodičov **mimoriadnej opatrnosti pri cúvaní**.

## 6 Technický opis

Kamera je umiestnená v hliníkovom kryte a káblom prenáša obraz a zvuk na monitor. Infračervené LED zlepšujú viditeľnosť za tmy.

Kamera sprostredkuje obraz, ako keby ste pozerali do spätného zrkadla.

Kamera pozostáva o. i. z nasledovných prvkov:

Č. na obr. 9, strane 5	Označenie
1	6-pólový prípojný kábel
2	Mikrofón
3	Infračervené LED

## 7 Upozornenia a pokyny týkajúce sa elektrického zapojenia

### 7.1 Uloženie káblov



#### POZOR! Nebezpečenstvo poškodenia!

- Pred vítaním otvorov skontrolujte, či je dostatok voľného priestoru pre výstup vrtáka.
- Neodborné uloženie kábla a káblových spojení vedie k chybnnej činnosti alebo poškodeniu konštrukčných dielcov. Správne uloženie kábla, príp. káblových spojení je základným predpokladom trvalej a bezchybnnej činnosti dodatočne namontovaných komponentov.
- Káble nesmú prichádzať dlhší čas do styku s rozpúšťadlami, pretože tie by mohli káble poškodiť.

Rešpektujte preto nasledovné upozornenia:

- Na prechod prípojného kábla použite podľa možností originálne priechodky alebo iné možnosti prechodu napr. obloženie hrán, ventilačné mriežky alebo slepé spínače. Ak nie sú k dispozícii žiadne prechody, musia sa pre káble vyvrtávať vhodné otvory. Najprv zistite, či je dostatok voľného priestoru pre výstup vrtáka.

- Uložte káble podľa možnosti vždy vnútri vozidla, pretože tam budú lepšie chránené ako vonku na vozidle.  
Ak aj napriek tomu uložte káble mimo vozidla, dbajte na ich bezpečné upevnenie (prídavným vizačom káblov, izolačnou páskou atď.).
- Aby sa predišlo poškodeniu káblov, dodržiavajte pri uložení kábla dostatočný odstup od horúcich a pohyblivých častí vozidla (výfukové vedenie, hnacie hriadele, alternátor, ventilátor, kúrenie atď.). Na mechanickú ochranu použite vlnitú rúrku alebo podobné ochranné materiály.
- Zaskrutkujte zástrčkové spoje spájacích káblov na ochranu proti vniknutiu vody (obr. 17, strane 7).
- Pri uložení káblov dávajte pozor,
  - aby neboli silno stlačené alebo prekrútené,
  - aby sa neodierali o hrany,
  - aby bez ochrany neviedli cez ostré prechody (obr. 3, strane 4).
- Upevnite káble bezpečne vo vozidle, aby ste predišli zamotaniu (nebezpečenstvo pádu). Možno tak urobiť použitím vizačov káblov, izolačnej pásky alebo prilepením lepidlom.
- Každý vytvorený otvor chráňte zvonku vhodnými opatreniami pred vniknutím vody, napr. použitím kábla s tesnivom a zastriekáním kábla a priechodky tesnivom.

**POZNÁMKA**

S utesňovaním vytvorených otvorov začnite až po ukončení všetkých prác na kamere a po určení potrebnej dĺžky káblov.

## 8 Montáž kamery

### 8.1 Potrebne náradie

Na **zabudovanie a montáž** potrebujete nasledovné náradie:

- Súprava vrtákov (obr. **1** 1, strane 3)
- Vrtáčka (obr. **1** 2, strane 3)
- Skrutkovač (obr. **1** 3, strane 3)
- Súprava prstencových alebo otvorených kľúčov (obr. **1** 4, strane 3)
- Meradlo (obr. **1** 5, strane 3)
- Kladivo (obr. **1** 6, strane 3)
- Jamkovač (obr. **1** 7, strane 3)

Na **elektrické zapojenie** a jeho preskúšanie potrebujete nasledovné pomôcky:

- Diódová skúšobná lampa (obr. **1** 8, strane 3) alebo voltmeter (obr. **1** 9, strane 3)
- Krimpovacie kliešte (obr. **1** 10, strane 3)
- Izolačná páska (obr. **1** 11, strane 3)
- Príp. káblové priechodky

Na **upevnenie káblov** potrebujete príp. ešte ďalšie viazače káblov.

### 8.2 Montáž kamery



#### UPOZORNENIE!

Zvoľte miesto pre kameru a upevnite ju tak bezpečne, aby sa za žiadnych okolností osoby nachádzajúce sa v blízkosti nemohli poraniť, napr. tým, že konáre, ktoré zasiahnu strechu vozidla, odtrhnú kameru.



#### POZNÁMKA

Ak sa montážou kamery zmení výška alebo dĺžka vozidla zaznamenaná v technickom preukaze vozidla, musí sa zabezpečiť nové schválenie zo strany kompetentných miest (TŮV, DEKRA atď.).

Nové schválenie dajte zaznamenať príslušným dopravným inšpektorátom do technického preukazu vozidla.

Pri montáži dodržiavajte nasledovné pokyny:

- Aby mala kamera účelný uhol pohľadu, umiestnite ju minimálne vo výške dvoch metrov. Pri montáži dbajte, aby ste mali dostatočne stabilné pracovné miesto.
- Dbajte na to, aby miesto montáže kamery bolo dostatočne pevné (napr. konáre, ktoré zasiahnu strechu vozidla, sa môžu do kamery zaplietť).

- Držiak kamery namontujte vodorovne a do stredu zadnej časti vozidla obr. **10**, strane 6).
- Najbezpečnejší spôsob upevnenia sú skrutky, ktoré prechádzajú konštrukciou. Rešpektujte pritom nasledovné upozornenia:
  - Za zvolenej montážnou polohou musí byť dostatok voľného priestoru na montáž.
  - Každý vytvorený otvor sa musí chrániť vhodnými opatreniami proti vniknutiu vody (napr. použitím skrutiek s tesnivom a/alebo zastriekanie upevňovacích skrutiek tesnivom zvonku).
  - Nadstavba na mieste upevnenia musí byť dostatočne pevná, aby sa držiak kamery dal dostatočne utiahnuť.
- Najprv skontrolujte, či je dostatok voľného priestoru pre výstup vrtáka (obr. **2**, strane 4).
- Ak nie ste si istí zvoleným miestom montáže, informujte sa u výrobcu nadstavby alebo jeho zastúpenia.

**POZNÁMKA**

Aby sa minimalizovala korózia skrutiek, závitov namastite.

Pri montáži postupujte takto:

- Držiak kamery pridržte na zvolenom mieste montáže a označte minimálne dva rôzne body vrtania (obr. **11**, strane 6).
- Najprv si predznačte otvor kladivom a jamkovačom, aby ste predišli sklúznutiu vrtáka.

**Keď chcete kameru priskrutkovať skrutkami na plech (obr. **12**, strane 6)****POZOR! Nebezpečenstvo poškodenia!**

Upevniť skrutkami na plech sa smie len na plech s minimálnou hrúbkou 1,5 mm.

- Predtým vyvrtajte v naznačených bodoch otvor Ø 4 mm.
- Všetky otvory zbavte výronkov a ošetríte antikoróznym prostriedkom.
- Držiak kamery priskrutkujte skrutkami na plech 5 x 20 mm.

**Keď chcete kameru upevniť závitovými skrutkami cez konštrukciu (obr. **13**, strane 6)****POZOR! Nebezpečenstvo poškodenia!**

Dbajte na to, aby sa matice pri utáňovaní nedali pretiahnuť cez konštrukciu. V prípade potreby použite väčšie podložky alebo plátky plechu.

- Predtým vyvrtajte v naznačených bodoch otvor Ø 4,5 mm.
- Všetky otvory zbavte výronkov a ošetríte antikoróznym prostriedkom.
- Držiak kamery priskrutkujte závitovými skrutkami na pech M5 x 20 mm. Podľa hrúbky konštrukcie použite potrebnú dĺžku závitových skrutiek.



## Vytvorenie otvoru pre prípojný kábel kamery (obr. 14, strane 6)



### POZNÁMKA

Na prechod prípojného kábla použite podľa možností originálne prechody, napr. ventilačné mriežky. Ak nie sú k dispozícii žiadne prechody, musí sa pre kábel vyvŕtať otvor Ø 16 mm.



### POZOR! Nebezpečenstvo poškodenia!

Najprv skontrolujte, či je dostatok voľného priestoru pre výstup vŕtáka.

- V blízkosti kamery vyvŕtajte otvor Ø 16 mm.
- Všetky otvory vytvorené v plechu zbavte výronkov a ošetríte antikoróznym prostriedkom.
- Všetky priechody s ostrými hranami opatrite priechodkou.

## Montáž kamery



### POZOR! Nebezpečenstvo poškodenia!

Na montáž kamery použite len dodané skrutky. Dlhšie skrutky poškodia kameru.

- Vsuňte kameru do držiaka.
- Kameru **voľne** upevnite dvomi skrutkami M3 x 8 mm do pozdĺžnych otvorov (obr. 15, strane 6).
- Kameru provizórne vyrovnajte tak, aby objektív tvoril cca 50° uhol so zvislou osou vozidla (obr. 16, strane 7).



### POZOR! Nebezpečenstvo poškodenia!

Kameru nikdy nemontujte bez ochrany kamery.

## Elektrické zapojenie kamery



### POZNÁMKA

- Kábel kamery uložte tak, aby ste sa v prípade potreby demontáže kamery ľahko dostali k zástrčkovému spoju kamery a predĺžovacieho kábla. Demontáž sa tým výrazne zjednoduší.
- Aby sa minimalizovala korózia konektora, dajte malé množstvo masťava, napr. masťava na póly, do konektora.
- Ďalšie predĺžovacie káble si v prípade potreby môžete zakúpiť (pozri kap. „Príslušenstvo“ na strane 164).

- Kábel kamery zaved'te do vnútra vozidla.
- Zasuňte konektor kábla kamery do zásuvky predĺžovacieho kábla.
- Zaskrutkujte zástrčkové spoje na ochranu proti vniknutiu vody (obr. 17, strane 7).

## Vyrovnanie kamery



### POZNÁMKA

Pred vyrovnaním kamery musíte najprv namontovať monitor a uskutočniť jeho elektrické zapojenie (pozri princíp na schéme zapojenia obr. 18, strane 7).

- Vyrovňajte kameru podľa obrazu monitora:

Obraz monitora by mal zobrazovať dolný okraj obrazu zadnej časti, príp. nárazníka vášho vozidla. Stred nárazníka by mal byť v strede obrazu monitora (obr. 19, strane 7).

- Po pripojení kamery na monitor skontrolujte jej funkcie.

## Upevnenie kamery

- Dotiahnite obidve upevňovacie skrutky v pozdĺžnych otvoroch držiaka kamery.
- Upevnite bočné kryty dvomi skrutkami M3 x 8 mm do stredných závitových otvorov (obr. 20, strane 8).

## 9 Ošetrovanie a čistenie kamery



### POZOR! Nebezpečenstvo poškodenia!

Na čistenie nepoužívajte ostré prostriedky, pretože by mohli poškodiť prístroj.

- Kameru príležitostne vyčistite mäkkou, navlhčenou handričkou.

## 10 Záruka

Platí zákonom stanovená záručná lehota. Ak by bol výrobok chybný, obráťte sa na pobočku výrobcu vo vašej krajine (adresy pozri na zadnej strane návodu) alebo na vášho špecializovaného predajcu.

Ak žiadate o vybavenie opravy alebo nárokov vyplývajúcich zo záruky, musíte priložiť nasledovné:

- chybné komponenty,
- kópiu faktúry s dátumom kúpy,
- dôvod reklamácie alebo opis chyby.

## 11 Likvidácia

- Obalový materiál podľa možnosti odovzdajte do príslušného odpadu na recykláciu.



Keď výrobok definitívne vyradíte z prevádzky, informujte sa v najbližšom recyklačnom stredisku alebo u vášho špecializovaného predajcu o príslušných predpisoch týkajúcich sa likvidácie.

## 12 Technické údaje

	PerfectView CAM80CM	
Č. výrobku:	9600000049	9600000198
Snímač obrazu:	1/3" CCD	
Obrazové prvky:	cca 270000 pixelov	
Štandard video režimu:	PAL, 1 Vpp	NTSC, 1 Vpp
Čítilivosť:	< 1 lux	
Uhol pohľadu:	cca 145° diagonálne cca 100° vertikálne cca 72° vertikál	
Prevádzkové napätie:	11 – 16 V==	
Spotreba:	1,8 W	
Prevádzková teplota:	-20 °C až +65 °C	
Trieda ochrany:	IP68	
Odolnosť voči vibráciám:	6g	
Rozmery Š x V x H (s držiakom):	106 x 68 x 54 mm	
Hmotnosť:	cca 0,35 kg	

### Povolenia

Prístroj má certifikát E13.



**Před zahájením instalace a uvedením do provozu si pečlivě přečtěte tento návod a uschovejte jej. V případě dalšího prodeje výrobku předejte návod novému uživateli.**

## Obsah

1	Vysvětlení symbolů . . . . .	172
2	Bezpečnostní pokyny a pokyny k instalaci . . . . .	173
3	Obsah dodávky . . . . .	175
4	Příslušenství . . . . .	175
5	Použití v souladu s účelem . . . . .	175
6	Technický popis . . . . .	176
7	Pokyny k elektrickému připojení . . . . .	176
8	Montáž kamery . . . . .	177
9	Čištění a péče o kameru . . . . .	181
10	Záruka . . . . .	181
11	Likvidace . . . . .	181
12	Technické údaje . . . . .	182

## 1 Vysvětlení symbolů



### VÝSTRAHA!

**Bezpečnostní pokyny:** Následkem nedodržení pokynů mohou být smrtelná nebo vážná zranění.



### UPOZORNĚNÍ!

**Bezpečnostní pokyny:** Následkem nedodržení mohou být úrazy.



### POZOR!

Nedodržení pokynů může mít za následek hmotné škody a narušení funkce výrobku.



### POZNÁMKA

Doplňující informace týkající se obsluhy výrobku.

## 2 Bezpečnostní pokyny a pokyny k instalaci

V následujících případech nepřebírá výrobce žádné záruky za škody:

- Chybná montáž nebo chybné připojení
- Poškození výrobku působením mechanických vlivů a přepětí
- Změna výrobku bez výslovného souhlasu výrobce
- Použití k jiným účelům, než jsou popsány v tomto návodu

### **Dodržujte předepsané bezpečnostní pokyny a předpisy vydané výrobcem vozidla a autoservisem!**



#### **VÝSTRAHA!**

Nedostatečně provedené spoje vodičů mohou způsobit zkrat s těmito následky:

- Vznik požáru kabelů
- Uvolnění airbagů
- Poškození elektronických řídicích systémů
- Porucha funkcí elektrických zařízení (ukazatele změny směru jízdy, brzdová světla, klakson, zapalování, světla).



#### **POZOR!**

Z důvodu nebezpečí zkratu musíte před zahájením prací na elektrickém systému vozidla vždy odpojit záporný pól.

V případě vozidel s přídatnou baterií musíte rovněž odpojit záporný pól.

Dodržujte proto následující pokyny:

- Při práci na následujících vodičích používejte pouze izolované kabelové koncovky, zástrčky a ploché konektory:
  - 30 (přímý vstup z baterie plus přímý)
  - 15 (spínaný pól plus, za baterií)
  - 31 (vedení od baterie, kostra)
  - L (blikače vlevo)
  - R (blikače vpravo)

Nepoužívejte **žádné** lámací svorkovnice (tzv. „čokoláda“).

- Používejte ke spojování kabelů lisovací kleště.
- Přišroubujte kabely v případě přípojek k vodiči 31 (kostra)
  - pomocí kabelového oka a ozubené podložky k vlastnímu kostřicímu šroubu vozidla nebo
  - kabelovým okem a šroubem do plechu k plechu karoserie.

Pamatujte na dobré uzemnění!

Při odpojování záporného pólu baterie dojde v dočasné paměti systémů komfortní elektroniky ke ztrátě uložených dat.

- V závislosti na vybavení vozidla musíte znovu nastavit následující data:
  - Kód rádia
  - Hodiny ve vozidle
  - Spínací hodiny
  - Palubní počítač
  - Poloha sedadla

Pokyny k nastavení naleznete v příslušném návodu k obsluze.

Při montáži dodržujte následující pokyny:



### UPOZORNĚNÍ!

- Upevněte součásti namontované ve vozidle tak, aby se nemohly za žádných okolností uvolnit (náhlé brzdění, nehoda) a **způsobit úrazy posádky vozidla**.
- Upevněte součásti systému, které jsou instalovány pod obložení tak, aby se neuvolnily nebo aby nepoškodily jiné součásti a rozvody a aby nemohly narušovat žádné systémy vozidla (řízení, pedály apod.).
- Vždy dodržujte bezpečnostní pokyny výrobce vozidla. Některé činnosti (např. na bezpečnostních systémech, jako je airbag apod.) smí provádět pouze školený specializovaný personál.



### POZOR!

- Při vrtání pamatujte na dostatek volného prostoru pro vrták, abyste zabránili vzniku škod.
- Každý otvor odjehlete a ošetřete jej antikoročním prostředkem.

Při práci na elektrických součástech dodržujte následující pokyny:



### POZOR!

- Ke kontrole napětí v elektrických vodičích používejte pouze diodovou zkoušečku nebo voltmetr. Zkoušečky se žárovkami odebírají příliš velké množství proudu, následkem může být poškození elektronického systému vozidla.
- Pamatujte při instalaci elektrických přípojek:
  - kabely nesmíte zalamovat nebo zkrucovat,
  - kabely se nesmějí dřít o rohy a hrany,
  - kabely nesmějí být bez ochrany instalovány v průchodkách s ostrými hranami.
- Izolujte všechny spoje a přípojky.
- Zajistěte kabely proti mechanickému namáhání vázacími páskami nebo izolační páskou, např. ke stávajícím vodičům.

Kamera je vodotěsná. Těsnění kamery ale nejsou odolná proti působení vysokotlaké čističky (obr. 4, strana 4). Při manipulaci s kamerou proto dodržujte následující pokyny:

- Kameru neotevírejte, došlo by k narušení její těsnosti a funkčnosti (obr. 5, strana 4).
- Netahejte za kabely, došlo by k narušení těsnosti a funkčnosti kamery (obr. 6, strana 4).
- Kamera není určena pro provoz pod vodou (obr. 7, strana 4).

### 3 Obsah dodávky

Č. obr. 8, strana 5	Množství	Název	Č. výrobku
1	1	Barevná kamera CAM80CM	9600000049 (PAL)/ 9600000198 (NTSC)
2	1	Držák kamery	9102200073
3	2	Boční kryty	
4	1	Prodlužovací kabel	9102200030
–	1	Upevňovací materiál	

### 4 Příslušenství

Dodávané příslušenství (není součástí dodávky):

Název	Č. výrobku
Prodlužovací kabel 5 m	9102200028
Prodlužovací kabel 8 m	9102200029
Prodlužovací kabel 20 m	9102200030
Spirálový vinutý kabel pro provoz s návěsem	9102200031

### 5 Použití v souladu s účelem

Barevná kamera CAM80CM je přednostně určena k použití ve vozidlech. Je používána ve videosystémech, které slouží ke sledování oblasti kolem vozidla ze sedadla řidiče, např. při manévrování nebo parkování.



#### VÝSTRAHA!

Nebezpečí úrazu osob, způsobených vozidlem.

Videosystémy pro jízdu vzad jsou určeny k podpoře při couvání. **Nezbavují však povinnosti zachovávat během couvání mimořádnou opatrnost.**

## 6 Technický popis

Kamera je instalována do hliníkového krytu a přenáší obraz a zvuk pomocí kabelu do monitoru. Pomocí infračervených LED dochází ke zlepšení nočního vidění.

Kamera přenáší obraz tak, jako byste se dívali do zpětného zrcátka.

Kameru tvoří mj. následující prvky:

obr. 9, strana 5	Č.	Název
	1	6pólový přívodní kabel
	2	Mikrofon
	3	Infračervené LED

## 7 Pokyny k elektrickému připojení

### 7.1 Instalace kabelů



#### **POZOR! Nebezpečí poškození!**

- Při vrtání otvorů nejprve zkontrolujte, zda je k dispozici dostatek volného prostoru pro vrták.
- Nesprávná instalace kabelů a kabelových spojů vede vždy k poruchám nebo poškození součástí. Správná instalace kabelů nebo kabelových spojů je základním předpokladem trvalé a bezchybné funkce instalovaných součástí.
- Kabely nesmí být po delší dobu v kontaktu s rozpouštědly, jako je např. benzín, rozpouštědla mohou kabely poškodit.

Dodržujte proto následující pokyny:

- Používejte k instalaci přívodních kabelů podle možnosti originální průchodky nebo jiné možnosti vedení, např. okraje obložení, ventilační mřížky nebo záslepky. Pokud nejsou dostupné žádné průchodky, musíte pro příslušné kabely vyvrtat otvory. Nejdříve se podívejte, zda je na druhé straně případného otvoru dostatek volného místa.
- Podle možností pokládejte kabely vždy uvnitř vozidla, protože tam jsou lépe chráněny než zvenčí vozidla. Pokud kabely i přesto instalujete zvenčí vozidla, dbejte na bezpečné upevnění (použitím vázacích pásek na kabely, izolační pásy apod.).
- K zabránění poškození kabelů pokládejte kabely vždy v dostatečné vzdálenosti od horkých a pohyblivých součástí vozidla (výfukové potrubí, hnací hřídele, dynamo, ventilátory, topení apod.). Z důvodu mechanické ochrany používejte chráničky nebo jiné podobné ochranné materiály.
- Z důvodu ochrany proti vniknutí vody přišroubujte konektorové spoje spojovacích kabelů (obr. 17, strana 7).



- Pamatujte při instalaci kabelů, že
  - kabely nesmíte ostře zalamovat nebo zkrucovat,
  - kabely se nesmějí dít o rohy a hrany,
  - kabely nesmějí být bez ochrany instalovány v průchodkách s ostrými hranami (obr. **3**, strana 4).
- Upevněte kabely ve vozidle bezpečně, abyste zabránili zachycení za kabely (nebezpečí pádu). Můžete to provést použitím vázacích pásek na kabely, izolační pásky nebo lepidla.
- Každý otvor na vnějším plášti vozidla vhodným způsobem chraňte před proniknutím vody, např. použitím kabelu s těsnicí hmotou a zastříkáním kabelu a průchodky těsnicí hmotou.



### POZNÁMKA

S utěšňováním otvorů začněte až poté, co dokončíte všechny seřizovací práce na kameře a budou jasné potřebné délky přívodních kabelů.

## 8 Montáž kamery

### 8.1 Potřebné nástroje

**K instalaci a montáži** potřebujete následující nástroje:

- Sada vrtáků (obr. **1** 1, strana 3)
- Vrtačka (obr. **1** 2, strana 3)
- Šroubovák (obr. **1** 3, strana 3)
- Sada očkových nebo otevřených klíčů (obr. **1** 4, strana 3)
- Měřidlo (obr. **1** 5, strana 3)
- Kladivo (obr. **1** 6, strana 3)
- Důlčák (obr. **1** 7, strana 3)

**K elektrickému připojení** a k provedení jeho kontroly budete potřebovat následující pomůcky:

- Diodová zkoušečka (obr. **1** 8, strana 3) nebo voltmetr (obr. **1** 9, strana 3)
- Lisovací kleště (obr. **1** 10, strana 3)
- Izolační páska (obr. **1** 11, strana 3)
- Příp. kabelové průchodky

**K upevnění kabelů** budete potřebovat případně ještě další vázací pásky na kabely.

## 8.2 Montáž kamery



### UPOZORNĚNÍ!

Vyberte umístění kamery a upevněte ji natolik bezpečně, aby za žádných okolností nemohly být zraněny osoby v blízkosti vozidla např. tím, že větve strhnou kameru ze střechy vozidla.



### POZNÁMKA

Pokud instalací kamery dojde ke změně výšky nebo délky vozidla, která je uvedena v dokumentaci vozidla, musí být znovu provedena kontrola příslušnými institucemi (TÜV, DEKRA apod.).

Provedení kontroly nechejte zanést do dokumentace vozidla příslušným dopravním inspektorem.

Při montáži dodržujte následující pokyny:

- Kameru umístěte z důvodu získání spolehlivého úhlu záběru do výšky minimálně dva metry. Při montáži pamatujte na dostatečnou stabilitu pracoviště.
- Pamatujte, že místo instalace kamery musí nabízet dostatečnou pevnost (za kameru se mohou zachytit např. nízké větve).
- Namontujte držák kamery vodorovně a uprostřed na zádi vozidla (obr. **10**, strana 6).
- Nejbezpečnějším způsobem upevnění jsou šrouby, které procházejí nástavbou. Dodržujte přitom následující pokyny:
  - Za vybraným místem pro montáž musí být dostatek volného prostoru k provedení montáže.
  - Každý otvor musíte chránit vhodným způsobem proti vniknutí vody (např. použitím šroubů s těsnicí hmotou a ostříkáním vnějších upevňovacích dílů těsnicí hmotou).
  - Nástavba musí v místě instalace nabízet dostatečnou pevnost, aby bylo možné držák kamery dostatečně pevně utáhnout.
- Předem zkontrolujte, zda je dostatek volného místa pro vrták (obr. **2**, strana 4).
- Pokud si nejste jisti místem instalace, které jste vybrali, informujte se u výrobce nástavby nebo u jeho zastoupení.



### POZNÁMKA

Z důvodu minimalizace koroze šroubů můžete závit namazat.

Při montáži postupujte takto:

- Podržte držák kamery ve vybraném místě instalace a označte minimálně dva různé vrtané otvory (obr. **11**, strana 6).
- Důlčíkem a kladivem proveďte v označených bodech základní otvor tak, abyste zabránili sklouznutí vrtáku při vrtání.

**Příšroubování kamery šrouby do plechu (obr. 12, strana 6)****POZOR! Nebezpečí poškození!**

Upevnění pomocí šroubů do plechu smí být provedeno pouze na ocelovém plechu o minimální tloušťce 1,5 mm.

- ▶ Vyrvejte ve vyznačených bodech vždy jeden otvor o velikosti Ø 4 mm.
- ▶ Všechny vyvrtané otvory odjehlete a opatřete je antikorozi ochranou.
- ▶ Příšroubojte držák kamery pomocí šroubů do plechu 5 x 20 mm.

**Přípevnění kamery pomocí šroubů vedených průchozími otvory v nástavbě (obr. 13, strana 6)****POZOR! Nebezpečí poškození!**

Dávejte pozor, aby matice při utahování neprorazily nástavbu. Použijte případně větší podložky nebo plechové destičky.

- ▶ Vyrvejte ve vyznačených bodech vždy jeden otvor o velikosti Ø 4,5 mm.
- ▶ Všechny vyvrtané otvory odjehlete a opatřete je antikorozi ochranou.
- ▶ Příšroubojte držák kamery pomocí šroubů M5 x 20 mm.  
V závislosti na tloušťce nástavby budete potřebovat delší šrouby.

**Provedení otvoru průchodky pro přívodní kabel kamery (obr. 14, strana 6)****POZNÁMKA**

Používejte k instalaci přívodních kabelů podle možnosti stávající průchodky, např. ventilační mřížky. Pokud nejsou dostupné žádné průchodky, musíte vyvrtat otvor Ø 16 mm.

**POZOR! Nebezpečí poškození!**

Předem zkontrolujte, zda je dostatek volného místa pro vrták.

- ▶ V blízkosti kamery vyrvejte otvor Ø 16 mm.
- ▶ Všechny otvory vyvrtané do plechu odjehlete a opatřete je antikorozi ochranou.
- ▶ Opatřete všechny průchodky s ostrými hranami chráničkou.

## Montáž kamery



### POZOR! Nebezpečí poškození!

Používejte k montáži kamery pouze dodané šrouby. Delší šrouby by kameru poškodily.

- Nasadte kameru do držáku kamery.
- Upevněte kameru **volně** dvěma šrouby M3 x 8 mm v podélných otvorech (obr. **15**, strana 6).
- Nasměrujte kameru provizorně tak, aby objektiv svíral úhel cca 50° se svislou osou vozidla (obr. **16**, strana 7).



### POZOR! Nebezpečí poškození!

Nikdy nemontujte kameru bez ochrany kamery.

## Elektrické připojení kamery



### POZNÁMKA

- Instalujte kabely kamery tak, aby při případné nutné demontáži byl možný snadný přístup ke konektorovým spojům mezi kamerou a prodlužovacím kabelem. Demontáž je tím výrazně zjednodušena.
- Z důvodu minimalizace koroze naneste na zástrčku trochu maziva, např. tuk na kontakty.
- Podle potřeby jsou dostupné další prodlužovací kabely (viz kap. „Příslušenství“ na straně 175).

- Ved'te kabel kamery dovnitř vozidla.
- Zapojte zástrčku kabelu kamery do zásuvky prodlužovacího kabelu.
- Z důvodu ochrany proti vniknutí vody přišroubujte konektorový spoj (obr. **17**, strana 7).

## Nasměrování kamery



### POZNÁMKA

K nasměrování kamery musíte případně namontovat monitor a připojit jej (viz principiální schéma zapojení obr. **18**, strana 7).

- Nasměrujte kameru podle obrazu na monitoru:  
Na monitoru musí být vidět na spodním okraji zád' nebo nárazník vozidla. Ve střední části monitoru musí být střed nárazníku (obr. **19**, strana 7).
- Zkontrolujte funkci kamery po připojení k monitoru.

## Upevnění kamery

- Utáhněte oba upevňovací šrouby v podélných otvorech držáku kamery.
- Upevněte boční kryty oběma šrouby M3 x 8 mm v prostředních závitových otvorech (obr. **20**, strana 8).

## 9 Čištění a péče o kameru



### **POZOR! Nebezpečí poškození!**

Nepoužívejte k čištění žádné tvrdé nebo ostré prostředky, může dojít k poškození přístroje.

- Příležitostně vyčistěte kameru mírně zvlhčeným měkkým hadříkem.

## 10 Záruka

Na výrobek je poskytována záruka v souladu s platnými zákony. Zjistíte-li, že je výrobek vadný, zašlete jej do pobočky výrobce ve vaší zemi (adresy viz zadní strana tohoto návodu) nebo specializovanému prodejci.

K vyřízení opravy nebo záruky nezapomeňte odeslat následující:

- Vadné součásti,
- Kopii účtenky s datem zakoupení,
- Uvedení důvodu reklamace nebo popisu vady.

## 11 Likvidace

- Obalový materiál likvidujte v odpadu určeném k recyklaci.



Jakmile výrobek zcela vyřadíte z provozu, informujte se v příslušných recyklačních centrech nebo u specializovaného prodejce o příslušných předpisech o likvidaci odpadu.

**12 Technické údaje**

	<b>PerfectView CAM80CM</b>	
Č. výr.:	9600000049	9600000198
Obrazový senzor:	1/3" CCD	
Počet obrazových bodů:	cca 270000 pixelů	
Standard videa:	PAL, 1 Vpp	NTSC, 1 Vpp
Citlivost:	< 1 luxů	
Úhel záběru:	cca 145° diagonálně cca 100° horizontálně cca 72° vertikálně	
Provozní napětí:	11 – 16 V==	
Spotřeba:	1,8 W	
Provozní teplota:	-20 °C až +65 °C	
Krytí:	IP68	
Odolnost proti vibracím:	6g	
Rozměry Š x V x H (s držákem):	106 x 68 x 54 mm	
Hmotnost:	cca 0,35 kg	

**Certifikace**

Přístroj je vybaven certifikátem E13.



**Beépítés és üzembe vétel előtt gondosan olvassa el és őrizze meg ezt a használati útmutatót. Ha a terméket továbbadja, mellékelje hozzá a használati útmutatót is.**

## Tartalomjegyzék

1	Szimbólumok magyarázata	183
2	Biztonsági és beszerelési tudnivalók	184
3	Szállítási terjedelem	186
4	Tartozék.	186
5	Rendeltetésszerű használat	187
6	Műszaki leírás	187
7	Megjegyzések az elektromos csatlakozáshoz.	188
8	A kamera felszerelése	189
9	A kamera karbantartása és tisztítása	193
10	Szavatosság	193
11	Ártalmatlanítás.	193
12	Műszaki adatok	194

## 1 Szimbólumok magyarázata



### FIGYELMEZTETÉS!

**Biztonsági tudnivaló:** Az utasítás figyelmen kívül hagyása halált vagy súlyos sérülést okozhat.



### VIGYÁZAT!

**Biztonsági tudnivaló:** Az utasítás figyelmen kívül hagyása sérüléseket okozhat.



### FIGYELEM!

Ha nem veszi figyelembe az információt, az anyagkárosodást eredményezhet, és káros kihatással lehet a termék működésére.



### MEGJEGYZÉS

Kiegészítő információk a termék kezelésével kapcsolatban.

## 2 Biztonsági és beszerelési tudnivalók

A gyártó a bekövetkező károkért a következő esetekben nem vállal felelősséget:

- szerelési vagy csatlakozási hiba
- a termék mechanikai behatások és túlfeszültségek miatti sérülése
- a termék kifejezett gyártói engedély nélküli módosítása
- az útmutatóban leírt céloktól eltérő felhasználás

### Vegye figyelembe a járműgyártó és a gépjármű-szakma által előírt biztonsági megjegyzéseket és előírásokat!



#### FIGYELMEZTETÉS!

A nem megfelelő vezetékcsatlakozások következményeképpen rövidzárlat miatt

- kábeltűz keletkezhet,
- a légszák kiold,
- az elektronikus vezérlőberendezések megsérülnek,
- az elektromos funkciók meghibásodnak (index, féklámpa, kürt, gyújtás, világítás).



#### FIGYELEM!

Rövidzárlat veszélye miatt a járműelektronikán végzendő munkák előtt mindig csatlakoztassa le a mínusz pólust.

Pótakkumulátorokkal rendelkező járműveknél arról is csatlakoztassa le a mínusz pólust.

Ezért vegye figyelembe a következő megjegyzéseket:

- A következő vezetékeken végzendő munkáknál csak szigetelt kábelsarukat, dugaszokat és lapos dugóhüvelyeket használjon:
  - 30 (közvetlen bemenet akkumulátortól, plusz)
  - 15 (kapcsolt plusz, akkumulátor mögött)
  - 31 (visszavezeték akkumulátortól, föld)
  - L (indexlámpák bal oldalon)
  - R (indexlámpák jobb oldalon)
- **Ne** használjon sorkapcsokat ('csoki').
- A kábelek csatlakoztatásához préselőfogót használjon.
- A csatlakozásoknál a kábelt csavarozza a 31-es vezetékhez (föld)
  - kábelsaruvál és fogazott alátéttel egy a járművön lévő földelőcsavarhoz vagy
  - kábelsaruvál és lemezcsavarral a karosszérialemezhez.

Ügyeljen a jó földelésérintkezésre!



Az akkumulátor mínusz pólusának lecsatlakoztatása esetén a kényelmi elektronikai berendezések felejtő memóriájából az összes tárolt adat törlődik.

- A jármű felszereltségének függvényében a következő adatokat kell újból beállítani:
  - rádiókód
  - fedélzeti óra
  - kapcsolóóra
  - fedélzeti számítógép
  - ülés helyzet

A beállításokra vonatkozó megjegyzések a vonatkozó üzemeltetési útmutatóban találhatók.

A szerelés során vegye figyelembe a következő megjegyzéseket:



### VIGYÁZAT!

- A járműben felszerelt alkatrészeket úgy rögzítse, hogy azok semmilyen körülmények között (éles fékezés, közlekedési baleset) ne szabadulhassanak el és ne okozhassák **a jármű utasainak sérülését**.
- A burkolat alatt takarásban lévő alkatrészeket úgy rögzítse, hogy ne szabadulhassanak el és ne sérthessenek meg más alkatrészeket és vezetékeket, ill. ne akadályozhassák a jármű működését (kormányzás, pedálok stb.).
- Mindig vegye figyelembe a járműgyártó biztonsági megjegyzéseit. Bizonyos (például gátlórendszereken – légzsákon stb. – végzendő) munkákat csak képezített szakember végezhet.



### FIGYELEM!

- Fúrásnál a sérülések elkerülése érdekében ügyeljen a kielégítő szabad térre a fúró kilépési helyén.
- Sorjátlanítsa a furatot és kezelje le rozsdagátló szerrel.

Elektromos alkatrészekon végzendő munkáknál vegye figyelembe a következő megjegyzéseket:



### FIGYELEM!

- Elektromos vezetékek feszültségének ellenőrzéséhez csak diódás ellenőrző lámpát vagy feszültségmérőt (voltmérer) használjon. Világítótesttel rendelkező ellenőrző lámpák túl nagy áramot vesznek fel, ami a jármű-elektronikát károsíthatja.
- Elektromos csatlakozások kialakításánál ügyeljen arra, hogy azok
  - ne legyenek megtörve vagy megcsavarodva,
  - ne súrolódjanak peremeken,
  - ne legyenek védelem nélkül éles peremű átvezetésekön keresztül vezetve.
- Szigetelje le az összes összekötést és csatlakozást.
- Biztosítsa a kábeleket mechanikus igénybevétel ellen kábelkötőzővel vagy szigetelőszalaggal, például a meglévő vezetékeken.

A kamera vízálló. A kamera tömitései azonban magas nyomású tisztítóval szemben hatástalanok (4. ábra, 4. oldal). Ezért vegye figyelembe a kamera kezelésével kapcsolatos következő megjegyzéseket:

- Ne nyissa ki a kamerát, mivel azzal csökkenti tömitettségét és működőképességét (5. ábra, 4. oldal).
- Ne húzza erővel a kábelt, mivel az csökkenti tömitettségét és működőképességét (6. ábra, 4. oldal).
- A kamera nem alkalmas víz alatti üzemeltetésre (7. ábra, 4. oldal).

### 3 Szállítási terjedelem

Szám / 8. ábra, 5. oldal	Mennyiség	Megnevezés	Cikkszám
1	1	CAM80CM színes kamera	9600000049 (PAL)/ 9600000198 (NTSC)
2	1	Kameratartó	9102200073
3	2	Oldalsó burkolatok	
4	1	Hosszabbítókábel	9102200030
–	1	Rögzítőanyag	

### 4 Tartozék

Tartozékként kapható (nincs mellékelve):

Megnevezés	Cikkszám
5 m hosszabbítókábel	91022000028
8 m hosszabbítókábel	91022000029
20 m hosszabbítókábel	91022000030
Spirálkábel pótkocsiüzemhez	91022000031

## 5 Rendeltetésszerű használat

A CAM80CM kamera elsősorban járművekben való felhasználásra alkalmas. Felhasználható olyan kamerarendszerekben, amelyek a jármű körüli terület vezetőülésből történő megfigyelésére szolgálnak, például tolatásnál vagy parkolásnál.



### FIGYELMEZTETÉS!

Személyi sérülések jármű általi veszélye.

A tolatókamera-rendszerek a tolatásnál nyújtanak támogatást, de **nem** adnak felmentést **a tolatásnál tanúsítandó elővigyázatossági kötelezettség alól.**

## 6 Műszaki leírás

A kamera alumíniumházban van elhelyezve és a képet és hangot kábelen keresztül juttatja el egy monitorhoz. Az éjszakai látás javításáról infravörös LED-ek gondoskodnak.

A kamera a képet úgy továbbítja, mintha a kép a visszapillantó tükörben jelenne meg.

A kamera többek között a következő elemekből áll:

Szám / 9. ábra, 5. oldal	Megnevezés
1	6 pólusú csatlakozókábel
2	Mikrofon
3	Infravörös LED-ek

## 7 Megjegyzések az elektromos csatlakozáshoz

### 7.1 Kábelek elhelyezése



#### FIGYELEM! Sérülésveszély!

- Lyukak fúrása előtt ellenőrizze, hogy elegendő szabad hely van-e a fúrónak az átjutáshoz.
- A szakszerűtlen kábelehelyezések és kábel-összeköttetések ismételtlen hibás működést eredményeznek vagy alkatrészek sérülését okozzák. Az utólagosan felszerelt komponensek tartós és hibátlan működésének feltétele a szakszerűen kialakított kábelehelyezés és kábel-összeköttetés.
- A kábeleknek nem szabad hosszabb ideig oldószerekkel (például benzinnel) érintkezniük, mivel az oldószerek a kábeleket károsíthatják.

Ezért vegye figyelembe a következő megjegyzéseket:

- A csatlakozókábelek átvezetésénél lehetőség szerint eredeti átvezetéseket vagy más átvezetési lehetőségeket használjon (például burkolóeleket, szellőzőrácsokat vagy vakkapcsolókat). Ha nincsenek átvezetések, akkor a vonatkozó kábelekhez megfelelő lyukakat kell fúrnia. Először annak nézzen utána, hogy a fúró átjutásához elegendő szabad tér áll-e rendelkezésre.
- A kábeleket lehetőség szerint mindig a jármű belsejében vezesse, mivel ott azok jobban védve vannak mint a járművön kívül.  
Ha a kábeleket ennek ellenére a járművön kívül helyezi el, akkor ügyeljen azok biztos rögzítésére (kiegészítő kábelkötözőkkel, szigetelőszalaggal stb.).
- A kábel sérüléseit megelőzendő a kábelek elhelyezésénél mindig tartson kielégítő távolságot a forró és mozgó jármű-alkatrészekről (kipufogócsövek, hajtótengelyek, áramgenerátor, ventilátor, fűtés stb.). A mechanikus védelemhez használjon bordácsövet vagy hasonló védőanyagot.
- A csatlakozókábelek csatlakozódugóit a víz behatolása elleni védelem érdekében csavarozza össze (17. ábra, 7. oldal).
- A kábelek elhelyezésekor ügyeljen arra, hogy azok
  - ne legyenek túlságosan megtörve vagy megcsavarodva,
  - ne súrolódjanak peremeken,
  - ne legyenek védelem nélkül éles peremű átvezetéseken keresztülvezetve (3. ábra, 4. oldal).
- A kábeleket a járműben a beleakadás elkerülése érdekében (botlásveszély miatt) biztonságosan rögzítse. Ez kábelkötözők vagy szigetelőszalag alkalmazásával, illetve ragasztóanyaggal való odaragasztással történhet.
- Védje a külső burkolat minden áttörését vízbehatolás elleni megfelelő intézkedésekkel (például a kábel tömítőanyaggal történő alkalmazásával és a kábel és az átvezetőkarika tömítőanyaggal való lepermetezésével).



## MEGJEGYZÉS

Először az áttörések szigetelésével kezdje, miután a kamera valamennyi beállítási műveletét elvégezte és a csatlakozókábelek szükséges hosszát meghatározta.

## 8 A kamera felszerelése

### 8.1 Szükséges szerszám

A **beépítéshez és szereléshez** a következő szerszámok szükségesek:

- Fúrókészlet (1. ábra 1, 3. oldal)
- Fúrógép (1. ábra 2, 3. oldal)
- Csavarhúzó (1. ábra 3, 3. oldal)
- Villás- vagy körkulcskészlet (1. ábra 4, 3. oldal)
- Mérőszalag (1. ábra 5, 3. oldal)
- Kalapács (1. ábra 6, 3. oldal)
- Pontozó (1. ábra 7, 3. oldal)

Az **elektromos csatlakozás** elkészítéséhez és teszteléséhez a következő segédeszközök szükségesek:

- Diódás ellenőrző lámpa (1. ábra 8, 3. oldal) vagy feszültségmérő (1. ábra 9, 3. oldal)
- Préselőfogó (1. ábra 10, 3. oldal)
- Szigetelőszalag (1. ábra 11, 3. oldal)
- Adott esetben kábelátvezető hüvelyek

A **kábelek rögzítéséhez** adott esetben még további kábelkötözők lehetnek szükségesek.

## 8.2 A kamera felszerelése



### VIGYÁZAT!

A kamera helyét úgy válassza meg és a kamerát úgy rögzítse biztonságosan, hogy a közelben álló személyek semmilyen körülmények között ne sérülhessenek meg (például azért, mert a jármű tetejét súroló ágak a kamerát lesodorhatják).



### MEGJEGYZÉS

Ha a jármű - forgalmi engedélyében feltüntetett - magassága vagy hossza a kamera felszerelése miatt változik, akkor az illetékes hatóság általi új engedélyezési eljárást kell lefolytatni.

Az új engedélyezést vezettesse át az illetékes hatósággal a jármű forgalmi engedélyébe.

A szerelés során vegye figyelembe a következő megjegyzéseket:

- A kamerát az ésszerű látószög elérése érdekében legalább két méter magasságban helyezze el.  
A felszerelés során ügyeljen a megfelelően stabil munkahelyre.
- Ügyeljen arra, hogy a kamera felszerelési helye kellő szilárdságú legyen (például a jármű tetejét súroló ágak megakadhatnak a kamerában).
- A kameratartót vízszintesen és a jármű hátsó részén, középre szerelje fel (10. ábra, 6. oldal).
- A rögzítés legbiztosabban a felépítményen keresztül menő csavarokkal oldható meg. Ennek során vegye figyelembe a következő megjegyzéseket:
  - A kiválasztott szerelési hely mögött kellő szabad térnek kell lennie a szereléshez.
  - Minden áttörést megfelelő intézkedésekkel kell vízbehatolás ellen védeni (például a csavarok tömítőanyaggal történő behelyezésével és/vagy a külső rögzítő alkatrészek tömítőanyaggal történő lepermetezésével).
  - A rögzítési helyek felépítményének kellő szilárdsággal kell rendelkeznie, hogy a kameratartót kellő feszességgel lehessen meghúzni.
- Először azt ellenőrizze, hogy a fúró átjutásához elegendő szabad tér áll-e rendelkezésre (2. ábra, 4. oldal).
- Ha a kiválasztott szerelési hely alkalmasságára vonatkozóan nincsenek kellő információi, forduljon a felépítmény gyártójához vagy annak képviselőjéhez.



### MEGJEGYZÉS

A csavarok korróziójának minimalizálása érdekében a meneteket zsírozza be.

A szerelés során a következő módon járjon el:

- Tartsa oda a kameratartót a kiválasztott szerelési helyhez és jelöljön be legalább két különböző fúrásipontot (11. ábra, 6. oldal).
- Az előzetesen megjelölt pontokat kalapáccsal és pontozóval készítse elő a fúró elcsúszásának megakadályozásához.

**Ha a kamerát lemezcavarokkal szeretné felcsavarozni (12. ábra, 6. oldal)****FIGYELEM! Sérülés veszélye!**

A lemezcavarokkal történő rögzítés csak legalább 1,5 mm-es lemezvastagságú acéllemezekben történhet.

- ▶ Az előzőleg megjelölt pontokon készítsen egy-egy  $\varnothing$  4 mm-es furatot.
- ▶ Sorjábanítsa valamennyi furatlyukat és lássa el őket rozsdavédelemmel.
- ▶ Csavarozza fel a kameratartót az 5 x 20 mm-es lemezcavarokkal.

**Ha a kamerát a felépítményen keresztül szeretné rögzíteni (13. ábra, 6. oldal)****FIGYELEM! Sérülés veszélye!**

Ügyeljen arra, hogy az anyák a meghúzásnál nehegy áthatolhassanak a felépítményen. Adott esetben használjon nagyobb alátéteket vagy bádoglemezeket.

- ▶ Az előzőleg megjelölt pontokon készítsen egy-egy  $\varnothing$  4,5 mm-es furatot.
- ▶ Sorjábanítsa valamennyi furatlyukat és lássa el őket rozsdavédelemmel.
- ▶ Csavarozza fel a kameratartót az M5 x 20 mm-es menetes csavarokkal.  
A felépítmény vastagságától függően hosszabb menetes csavarok lehetnek szükségesek.

**Áttörés készítése a kamera csatlakozókábeléhez (14. ábra, 6. oldal)****MEGJEGYZÉS**

A csatlakozókábelek átvezetésénél lehetőség szerint meglévő átvezetési lehetőségeket használjon (például szellőzőrácst). Ha nincsenek átvezetések, akkor  $\varnothing$  16 mm-es lyukat kell fúrnia.

**FIGYELEM! Sérülésveszély!**

Először azt ellenőrizze, hogy a fúró átjutásához elegendő szabad tér áll-e rendelkezésre.

- ▶ Fúrjon a kamera közelében egy  $\varnothing$  16 mm-es lyukat.
- ▶ Sorjábanítsa a lemezben készített valamennyi furatlyukat és lássa el őket rozsdavédelemmel.
- ▶ Lássza el az összes éles peremű átvezetést átvezetőkarikával.

## A kamera felszerelése



### FIGYELEM! Sérülés veszélye!

A kamera felszereléséhez csak a mellékelt csavarokat használja. Hosszabb csavaroktól a kamera megsérülhet.

- ▶ Tolja be a kamerát a kameratartóba.
- ▶ **Lazán** rögzítse a kamerát a két M3 x 8 mm-es csavarral a hosszanti furatokban (15. ábra, 6. oldal).
- ▶ Igazítsa be a kamerát előzetesen úgy, hogy az objektív kb. 50°-os szögben álljon a jármű tengelyéhez képest (16. ábra, 7. oldal).



### FIGYELEM! Sérülés veszélye!

Soha ne szerelje fel a kamerát a kameravédelem nélkül.

## A kamera elektromos csatlakoztatása



### MEGJEGYZÉS

- A kamera kábelét úgy helyezze el, hogy a kamera esetleges szükségessé váló kiszérése esetén könnyedén hozzáférhessen a kamera és a hosszabbítókábel közötti dugócsatlakozóhoz. Ez a leszerelést jelentősen leegyszerűsíti.
- A csatlakozódugó korróziójának minimalizálása érdekében tegyen valamennyi zsírt (például póluszsírt) a csatlakozódugók egyikébe.
- Szükség esetén további hosszabbítókábelek állnak rendelkezésre (lásd: „Tartozék” fejj., 186. oldal).

- ▶ Vezesse a kamerakábelt a jármű belsejébe.
- ▶ Dugja be a kamerakábel másik csatlakozódugóját a hosszabbítókábel csatlakozóhüvelyébe.
- ▶ A dugócsatlakozókat a víz behatolása elleni védelem érdekében csavarozza össze (17. ábra, 7. oldal).

## A kamera beigazítása



### MEGJEGYZÉS

A kamera beigazításához adott esetben még egy monitort is fel kell szerelnie és elektromosan csatlakoztatnia (lásd az elvi csatlakozási rajzot: 18. ábra, 7. oldal).

- ▶ Igazítsa be a kamerát a monitor képe alapján:  
A monitorkép alsó képszelén a jármű hátuljának, illetve lökhárítójának kell látszania. A lökhárító közepének is a monitorkép közepén kell lennie (19. ábra, 7. oldal).
- ▶ Ellenőrizze a kamera funkcióját, miután azt egy monitorhoz csatlakoztatta.



## A kamera rögzítése

- ▶ Húzza meg a két rögzítőcsavart a kameratartó hosszanti furataiban.
- ▶ Rögzítse az oldalsó burkolatokat a két M3 x 8 mm-es csavarral a középső menetes furatokban (20. ábra, 8. oldal).

## 9 A kamera karbantartása és tisztítása



### FIGYELEM! Sérülés veszélye!

Ne használjon éles vagy kemény eszközöket a tisztításhoz, mivel azok a készülék sérülését okozhatják.

- ▶ Alkalmanként tisztítsa meg a kamerát puha, nedves ruhával.

## 10 Szavatosság

A termékre a törvény szerinti szavatossági időszak érvényes. A termék meghibásodása esetén forduljon a gyártói lerakathoz (a címeket lásd jelen útmutató hátoldalán), illetve az illetékes szakkereskedőhöz.

A javításhoz, illetve a szavatossági adminisztrációhoz a következő dokumentumokat kell beküldenie:

- hibás részegységek,
- a számla vásárlási dátummal rendelkező másolatát,
- a reklamáció okát vagy a hibát tartalmazó leírást.

## 11 Ártalmatlanítás

- ▶ A csomagolóanyagot lehetőleg a megfelelő újrahasznosítható hulladék közé tegye.



Ha a terméket véglegesen kivonja a forgalomból, kérjük, tájékozódjon a legközelebbi hulladékártalmatlanító központnál vagy a szakkereskedőjénél az idevonatkozó ártalmatlanítási előírásokkal kapcsolatban.

**12 Műszaki adatok**

	<b>PerfectView CAM80CM</b>	
Cikkszám:	9600000049	9600000198
Képzérelő:	1/3" CCD	
Képpontok:	kb. 270000 pixel	
Videoszabvány:	PAL, 1 Vpp	NTSC, 1 Vpp
Érzékenység:	< 1 lux	
Látószög:	kb. 145° átlósan kb. 100° vízszintesen kb. 72° függőlegesen	
Üzemi feszültség:	11 - 16 V==	
Fogyasztás:	1,8 W	
Üzemi hőmérséklet:	-20 °C ... +65 °C	
Védettségi osztály:	IP68	
Rezgésállóság:	6g	
Méreték (szélesség x magasság x mélység, tartóval):	106 x 68 x 54 mm	
Tömeg:	kb. 0,35 kg	

**Engedélyek**

A készülék az E13-as engedéllyel rendelkezik.





Mobile living made easy.

---



**dometic.com**

---

**YOUR LOCAL  
DEALER**

[dometic.com/dealer](https://dometic.com/dealer)

**YOUR LOCAL  
SUPPORT**

[dometic.com/contact](https://dometic.com/contact)

**YOUR LOCAL  
SALES OFFICE**

[dometic.com/sales-offices](https://dometic.com/sales-offices)

---

A complete list of Dometic companies, which comprise the Dometic Group, can be found in the public filings of:  
**DOMETIC GROUP AB** • Hemvärnsgatan 15 • SE-17154 Solna • Sweden