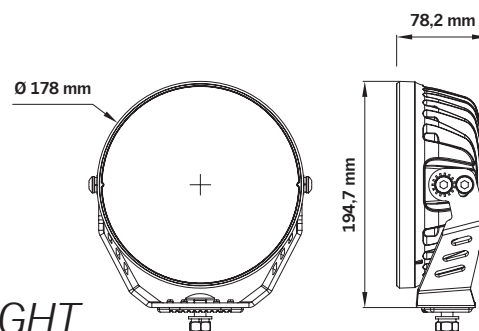


strands[®]

-lighting division



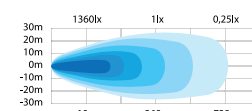
SIBERIA NR DRIVING LIGHT 7" LED

E-APPROVED / WHITE AND AMBER POSITION LIGHT



Voltage	9-35V DC
Consumption	70W
Theoretical lumen	9600
Actual lumen	6467
1 lux @	369m
IP-class	IP67/IP69K
Beam pattern	Combo
Position light	White and amber
Connection	DT-4
Cable length	500mm

Material housing	Aluminium
Material lens	Polycarbonate
Diameter	178mm
Depth	78,2mm
Height including bracket	194,7mm
Operating temperature	-20°C - +45°C
E-approved	ECE R112, R7
Ref	20
EMC-certificate	ECE R10



Part No. 809187