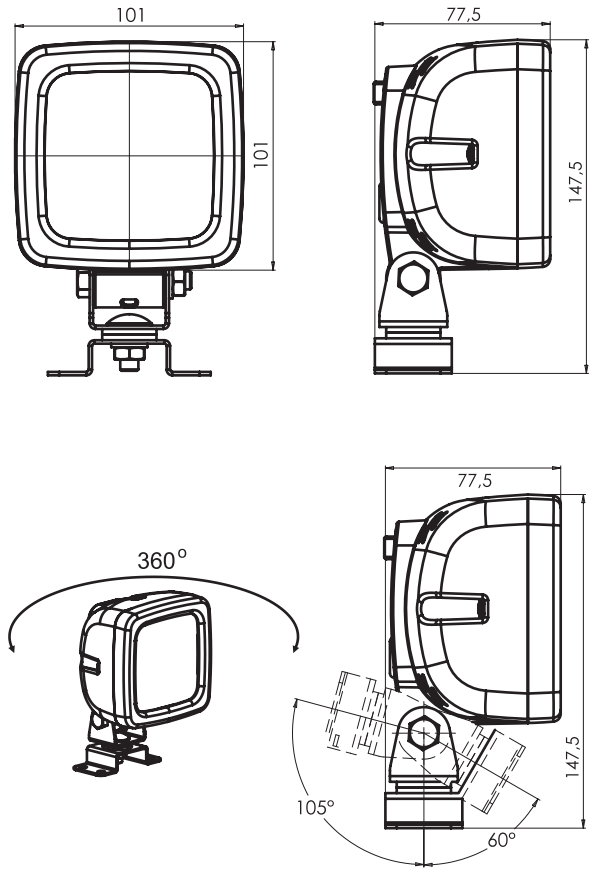


working and reversing* lamp



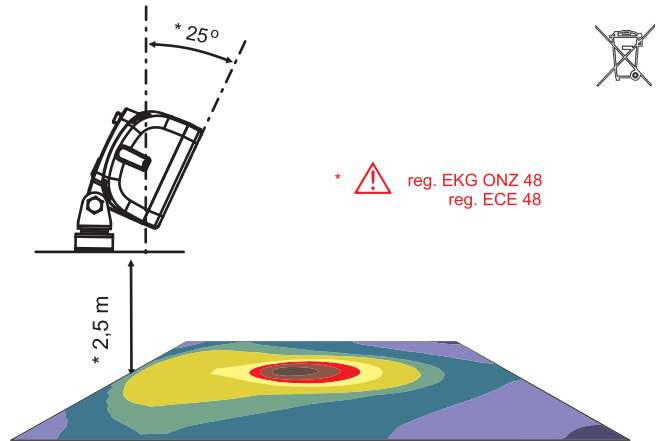
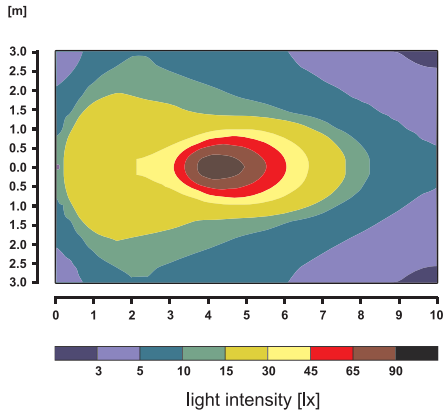
EMC
electromagnetic
compatibility

LED
technology



ISO 9001
ISO 14001

* depending on the version



* reg. EKG ONZ 48
reg. ECE 48



Working and reversing* lamp

A new, universal W82 LED lamp is useful to light the field of working area in household work, and sailing. The lamp has electromagnetic compatibility approval ie, it does not emit electromagnetic interference and is electromagnetic interference-resistant. The lamp is also resistant to surges in the system and its small size significantly increases mounting options. Thanks to very efficient LED diodes it is possible to illuminate at most the working area while keeping the minimum power consumption. W82 LED lamp power rating is about 17W! The lamp is characterized by a light intensity comparable with the standard light sources (eg. H3) with a nominal capacity ranges from 50-70W. The lamp body and its parts are made of the highest quality components, resistant to high and low temperature and mechanical damage.

- Approval: E20 10R-03 2820
- Approval: AR 00 E20 1385 *
- Power consumption ~ 17 W
- IP Class: IP66 / IP68 (Resistance when immersed in water and spraying a powerful jet of water)
- Operating voltage: 10V - 35V
- Connection: GND - white wire, + working light – black wire, reversing light – yellow wire *
- Body: PP
- Connection cable: 2,5 m
- Luminous intensity in the vicinity of the axis of reference ~ 6000 cd +/- 10%
- 9 LED light source (Osram) x 200 lm / LED ~ 2400 lm +/- 10%
- Flux measured in the laboratory ~ 1750 lm +/- 25% **
- Luminous efficacy ~ 90lm / 1W +/-25%
- Easy and stable mounting of the lamp
- Maximum body surface temperature: 59°C, maximum lens surface temperature 76°C (measured in laboratory conditions at 25°C).
- Weight: ~0,6 kg
- Use in ventilated areas.
- Lamp base regulation in two dimensions.

** Measurement immediately after turning on the lamp.

- 691** Working lamp W82 12LED (black body) 12-24V
- 692** Working lamp W82 12LED with switch (black body) 12-24V
- 693** Working and reversing lamp W82 12LED (black body) 12-24V
- 694** Working and reversing lamp W82 12LED with switch (black body) 12-24V

- 695** Working lamp W82 12LED (white body) 12-24V
- 696** Working lamp W82 12LED with switch (white body) 12-24V
- 697** Working and reversing lamp W82 12LED (white body) 12-24V
- 698** Working and reversing lamp W82 12LED with switch (white body) 12-24V

Installation Instructions:

1. Do not cut the tinned ends wires.
2. Insulate the lamp cable connection with the vehicle installation, because water can damage electronic components.

WARNING!

Use the lamp according to the purpose. In the case of incorrect connection of the lamp, manufacturer is not held responsible.