

strands[®]

-lighting division

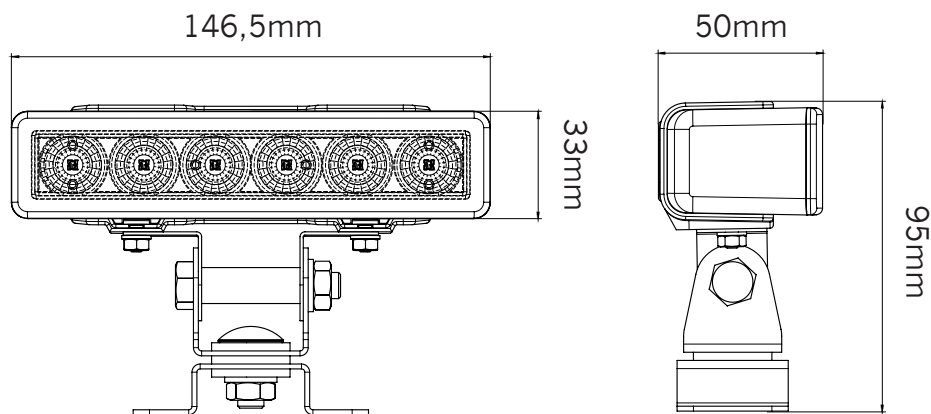
MANUAL

SLIM WORK LIGHT 8W LED

WHITE = - TO CHASSIS GROUND

BLACK = + POSITIVE

1. Read all instructions carefully and study diagrams before installing lights.
2. Check with state and local authorities for laws governing usage and proper mounting of work lights.
3. Disconnect ground connection from battery (marked "-") to avoid accidental short circuits before attempting to connect electrical wires.
4. When running wires through the firewall, keep them away from moving parts.



WARNING!

1. Work under the specified voltage (12-24V DC)
2. This light becomes hot under continuous use. Don't remove or touch the casing for at least 30 minutes after turning the lamp off.
3. Keep heat-sink clean and exposed to maintain air flow.

Part no. 800263

Contact us if you need support: support@strands.se or +46(0)320-450450



www.strands.se
www.strandseurope.com