

strands®

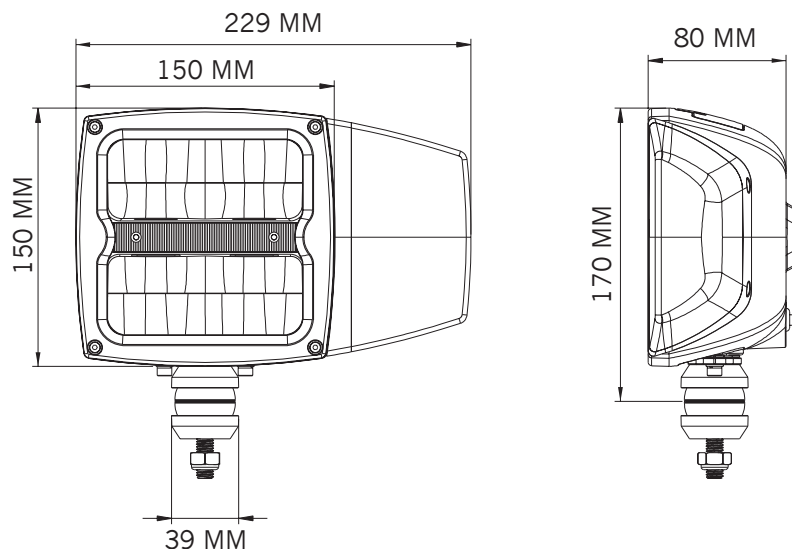
-lighting division

MANUAL

SNOW PLOW LAMP

BLACK = - GROUND
RED = HIGH BEAM
GREEN = POSITION LIGHT
BLUE = HEATED LENS
YELLOW = LOW BEAM
GREY = INDICATOR

1. Read all instructions carefully and study diagrams before installing lights.
2. Check with state and local authorities for laws governing usage and proper mounting of snow plow lamps.
3. Disconnect ground connection from battery (marked "-") to avoid accidental short circuits before attempting to connect electrical wires.



WARNING!

1. Work under the specified voltage (DC10-30V).
2. This light becomes hot under continuous use. Don't remove or touch the casing for at least 30 minutes after turning the lamp off.
3. Keep heat-sink clean and exposed to maintain air flow.

Part no. 270710

Contact us if you need support: support@strands.se or +46(0)320-450450



www.strands.se
www.strandseurope.com