

strands[®]

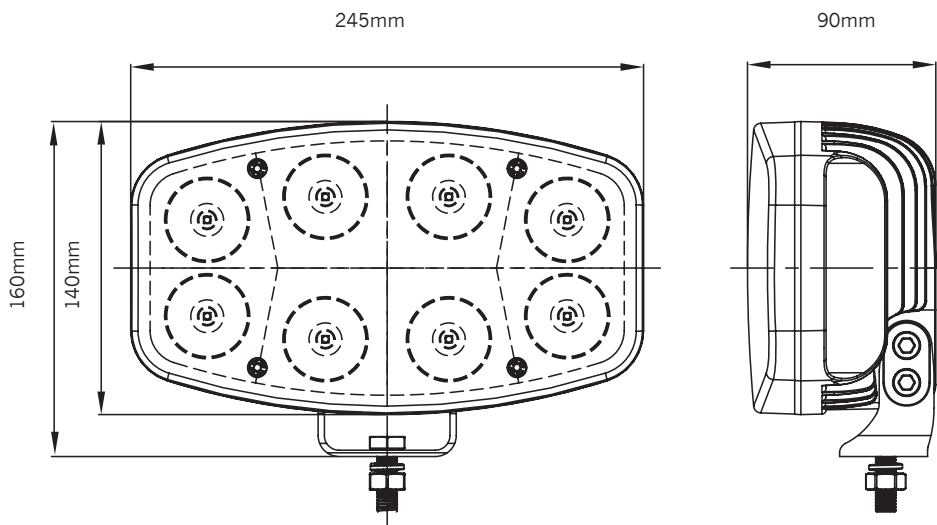
-lighting division

MANUAL

DELTA DRIVING LIGHT LED

RED = + POSITIVE
BLACK = - TO CHASSIS GROUND
WHITE = WHITE POSITION LIGHT
BLUE = AMBER POSITION LIGHT

1. Read all instructions carefully and study diagrams before installing lights.
2. Check with state and local authorities for laws governing usage and proper mounting of auxiliary lamps.
3. Disconnect ground connection from battery (marked "-") to avoid accidental short circuits before attempting to connect electrical wires.
4. When running wires through the firewall, keep them away from moving parts.



WARNING!

1. Work under the specified voltage (DC12-48V).
2. This light becomes hot under continuous use. Don't remove or touch the casing for at least 30 minutes after turning the lamp off.
3. Keep heat-sink clean and exposed to maintain air flow.

Part no. 270699

Contact us if you need support: support@strands.se or +46(0)320-450450



www.strands.se
www.strandseurope.com

HOW TO LOWER THE INTENSITY OF THE POSITION LIGHT DELTA DRIVING LIGHT LED

How to lower the intensity of the position light:

You need to connect a resistor on the power cable going to the position light, don't matter which way you connect it. The resistor should be included in the box for the lights with high intensity position light.

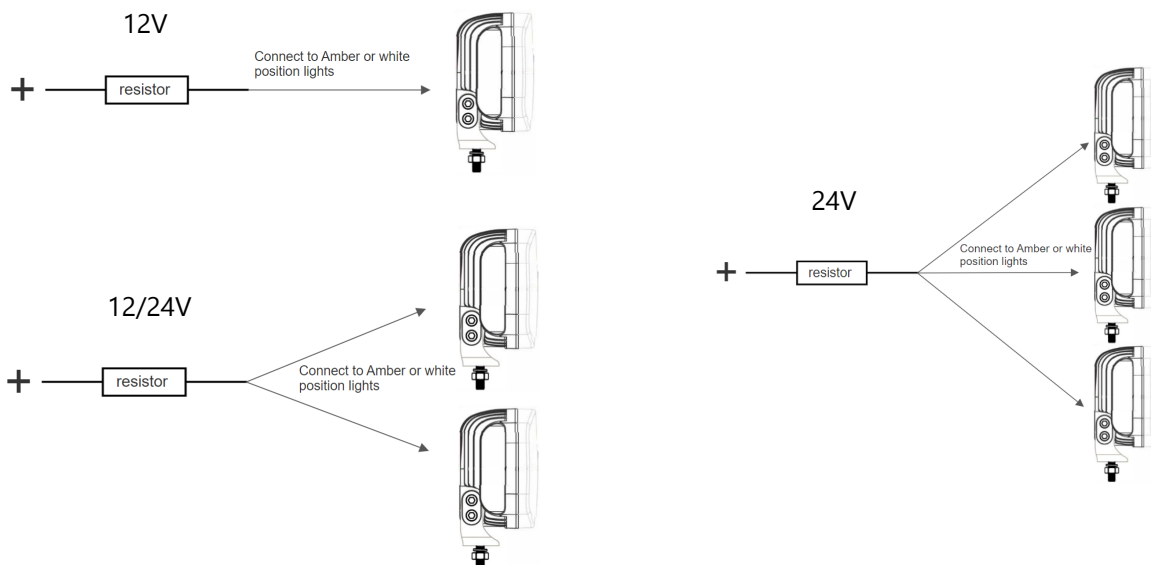
For a 24V vehicle we recommend that you use one resistor for two position lights, you can use one resistor for up to four position lights, but the intensity will be very much lower.

For a 12V vehicle everything is divided by two, so we recommend one resistor per light, but not more than two lights on one resistor.



The more lights connected to one resistor, the lower intensity of the position lights.

If you use more than one resistor on a vehicle, connect the same amount of lights for each resistor, otherwise the intensity will not be the same for all the lights.



Part no. 270699

Contact us if you need support: support@strands.se or +46(0)320-450450



www.strands.se
www.strandseurope.com