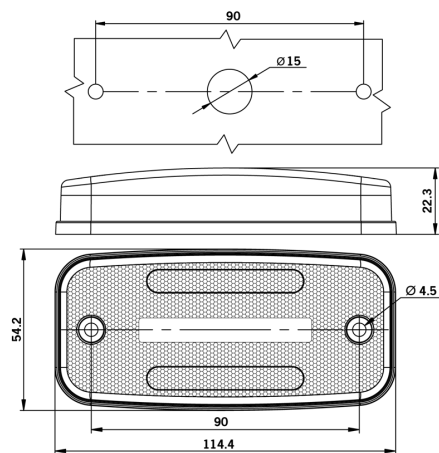


Part No. 900532

FREEDOM ADR NEON ONE LINE REAR POSITION LIGHT



FREEDOM ADR NEON ONE LINE REAR POSITION LIGHT

10-32 V | IP66/68 | ADR

[Read more](#)



Voltage (DC)	10-32 V DC	Depth	22.3 mm
Consumption	1.6 W	Height	54.2 mm
Functions	Rear marker	Height including bracket	76 mm
Connection	Cable	IP-class	IP66/68
Cable length	220 mm	Operating temperature	-35 · +45 °C
Color lens	Red	E-approved	Yes
Color LED's	White	ECE approval	R3, R10.05, R7
Material housing/chassi	Polycarbonate	ADR-approved	Yes
Material lens	Polycarbonate	Other approval	ADR 25
Length	114.4 mm		