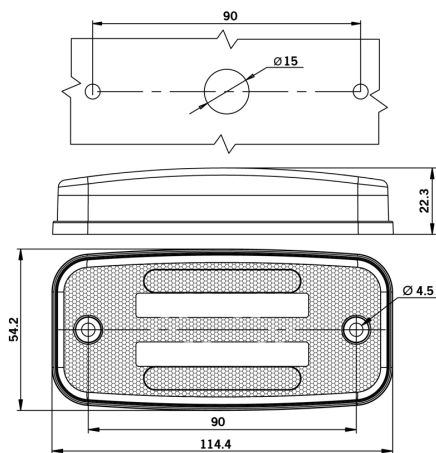


Part No. 900530

FREEDOM ADR TWO LINE SIDE MARKER WITH



FREEDOM ADR TWO LINE SIDE MARKER WITH INDICATOR

10-32 V | IP66/68

[Read more](#)



Voltage (DC)	10-32 V DC
Consumption	2.4 W
Functions	Side marker, Indicator
Connection	Cable
Cable length	220 mm
Color lens	Amber
Color LED's	Warm white
Material housing/chassi	ABS
Material lens	PMMA

Length	114.4 mm
Depth	22.3 mm
Height	54.2 mm
IP-class	IP69K
Operating temperature	-35 · +45 °C
E-approved	Yes
ECE approval	R3, R10.05, R91, R6
ADR-approved	Yes