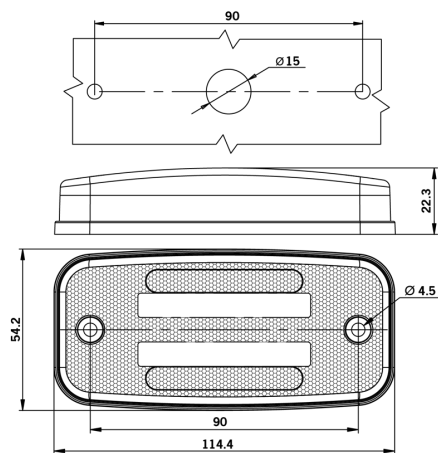


Part No. 900527

# FREEDOM ADR TWO LINE FRONT POSITION LIGHT



## FREEDOM ADR TWO LINE FRONT POSITION LIGHT

10-32 V | IP69K

[Read more](#)



<b>Voltage (DC)</b>	10-32 V DC	<b>Material lens</b>	PMMA
<b>Consumption</b>	2.4 W	<b>Length</b>	114.4 mm
<b>Functions</b>	Front marker	<b>Depth</b>	22.3 mm
<b>Actual lumen</b>	40 lm	<b>Height</b>	54.2 mm
<b>Connection</b>	Cable	<b>IP-class</b>	IP69K
<b>Cable length</b>	220 mm	<b>Operating temperature</b>	-35 - +45 °C
<b>Color lens</b>	White	<b>E-approved</b>	Yes
<b>Color LED's</b>	Cool White	<b>ECE approval</b>	R3, R10.05, R7
<b>Material housing/chassi</b>	ABS	<b>ADR-approved</b>	Yes