

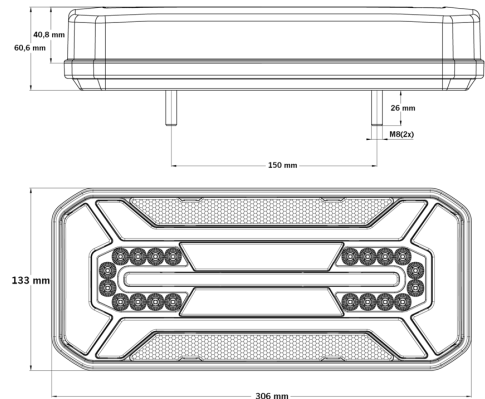
Part No. 900513

FREEDOM ADR 5 FUNC. UNIVERSAL TAILLIGHT,

✓ 20W

✓ E-APPROVED

✓ 12-24V



FREEDOM ADR 5 FUNC. UNIVERSAL TAILLIGHT, DYN. INDICATOR

TAIL / BRAKE / DYN. IND / REVERSE / FOG

The Freedom ADR 5 Function Universal Taillight with Dynamic Indicator is an ADR-approved LED taillight developed for trucks, trailers, and commercial vehicles approved for hazardous good...

[Read more](#)



Voltage (DC)	12-24 V DC
Consumption	20 W
Functions	Reverse light, Fog light, Brake light, Tail light, Dynamic indicator
Consumption specific function	Tail 2.5W, Reverse 4.5W, Fog 1.6W, Brake 1.2W, Indicator 10.6W
Connection	Cable
Cable length	2000 mm
Color lens	Clear
Color LED's	White Red
Material housing/chassi	ABS
Material lens	Polycarbonate

Length	306 mm
Depth	60.6 mm
Height	133 mm
CC	150 mm
IP-class	IP66/68
Operating temperature	-35 - +45 °C
E-approved	Yes
ECE approval	R3, R91, R7, R10.06, R6, R23, R4, R38
ADR-approved	Yes

strands[®]
-lighting division