

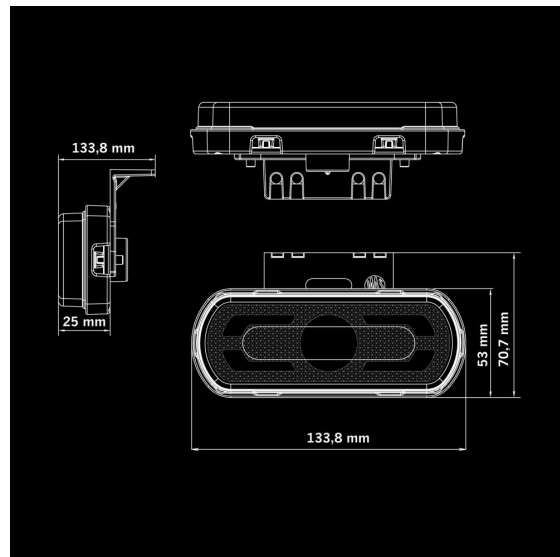
Part No. 900032

FREEDOM GROUND LINE FRONT POSITION LIGHT

✓ E-APPROVED

✓ IP6K9K

✓ LOGO



FREEDOM GROUND LINE FRONT POSITION LIGHT

10-32V | 0.5M CABLE

Discover a distinctive lighting solution designed for drivers who want to stand out while maintaining reliable performance. The Freedom Ground-line front marker light delivers a bold, customizable design combined with efficient performance...

[Read more](#)



| | | | |
|--------------------------------|---------------|---------------------------------|--------------------|
| Voltage (DC) | 10-32 V DC | Length | 133.8 mm |
| Consumption | 4.4 W | Depth | 47 mm |
| Functions | Front marker | Height | 53 mm |
| Connection | Cable | Height including bracket | 70.7 mm |
| Cable length | 500 mm | CC | 30.5 mm |
| Color lens | White | IP-class | IP6K9K |
| Color LED's | Cool White | Operating temperature | -40 · +40 °C |
| Material housing/chassi | Polypropylene | E-approved | Yes |
| Material lens | PMMA | ECE approval | R10.06, R148, R149 |