

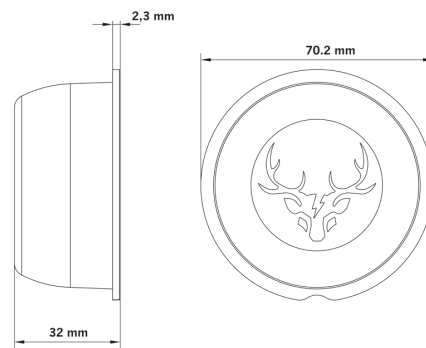
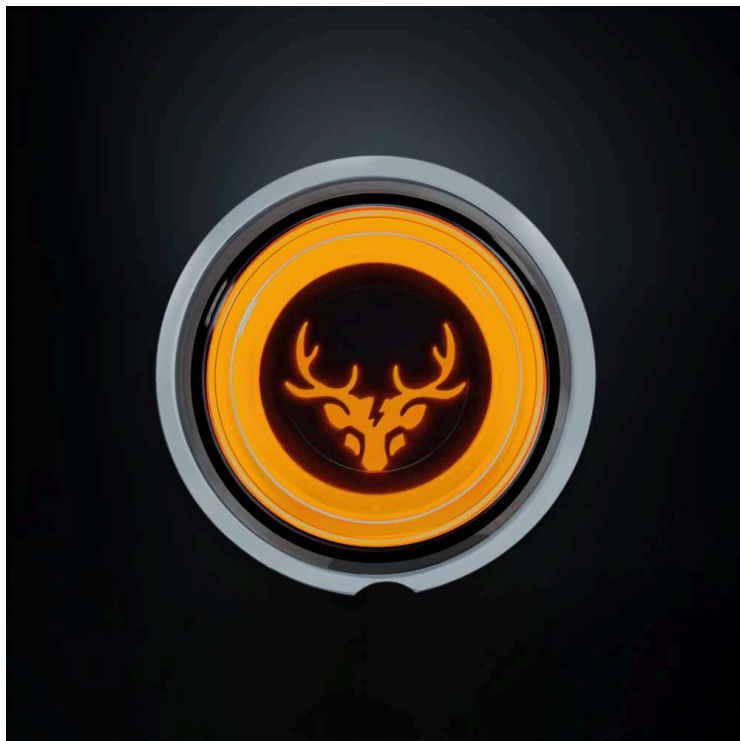
Part No. 830404

FREEDOM VIKING SIDE MARKER WITH INDICATOR

✓ 5 M CABLE

✓ IP69K

✓ E-APPROVED

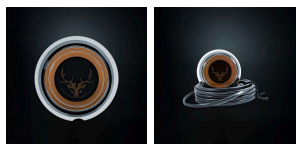


FREEDOM VIKING SIDE MARKER WITH INDICATOR POSITION LIGHT

10-32V | 5M CABLE

The Freedom Viking side marker with indicator position light combines multiple functions in one compact unit, delivering E-approved performance (R148, R10), IP68/69K protection, and...

[Read more](#)



Voltage (DC)	10-32 V DC
Consumption	2 W
Functions	Side marker, Indicator
Consumption specific function	Side marker 2W, Indicator 2W
Connection	Cable
Cable length	5000 mm
Color lens	Outer: Clear Inner: Dark
Color LED's	Warm white

Material housing/chassi	Polycarbonate
Material lens	Polycarbonate
Height	32 mm
IP-class	IP68/69K
Operating temperature	-40 - +40 °C
E-approved	Yes
ECE approval	R10.06, R148