

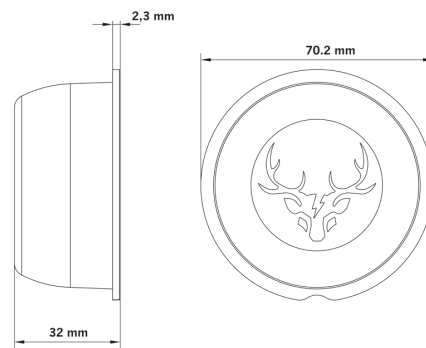
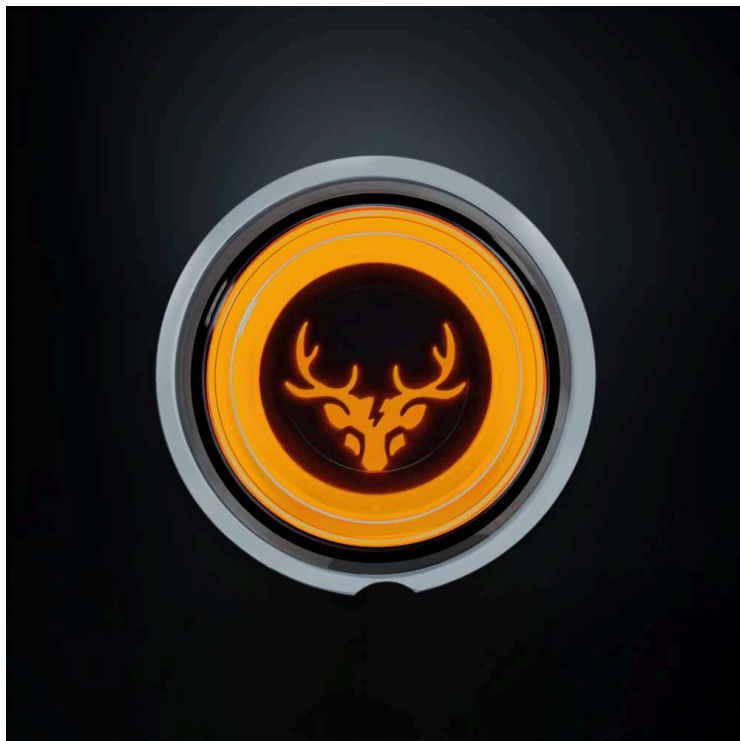
Part No. 830403

FREEDOM VIKING SIDE MARKER 12 LED

✓ 5 M CABLE

✓ IP69K

✓ E-APPROVED

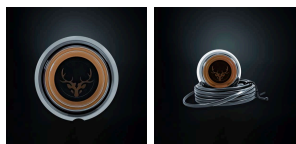


FREEDOM VIKING SIDE MARKER 12 LED

10-32V | 5M CABLE

The Freedom Viking side marker is designed to deliver reliable side visibility with a compact 12 LED design, combining E-approved performance (R148, R10) and IP-rated IP69K.

[Read more](#)



Voltage (DC)	10-32 V DC
Consumption	2 W
Functions	Side marker
Connection	Cable
Cable length	5000 mm
Color lens	Outer: Clear Inner: Dark
Color LED's	Warm white

Material housing/chassi	Polycarbonate
Material lens	Polycarbonate
Height	32 mm
IP-class	IP68/69K
Operating temperature	-40 · +40 °C
E-approved	Yes
ECE approval	R10.06, R148