

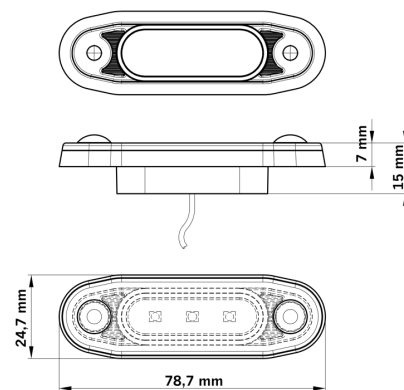
Part No. 810024

FREEDOM LEGACY REAR POSITION LIGHT

✓ E-APPROVED

✓ IP68

✓ 5 M CABLE

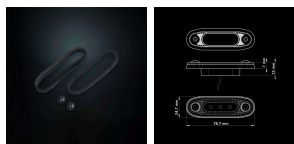


FREEDOM LEGACY REAR POSITION LIGHT CLEAR LENS

10-32V | 5M CABLE

The 810020 series is developed for drivers who want a rear marker light that is easier to install without compromising on durability or performance.

[Read more](#)



Voltage (DC)	10-32 V DC	Length	79 mm
Consumption	0.5 W	Depth	15 mm
Functions	Rear marker	Height	24.7 mm
Connection	Cable	CC	58 mm
Cable length	5000 mm	IP-class	IP66/68
Color lens	Clear	Operating temperature	-35 - +45 °C
Color LED's	Red	E-approved	Yes
Material housing/chassi	Polycarbonate	ECE approval	R7, R10
Material lens	Polycarbonate		