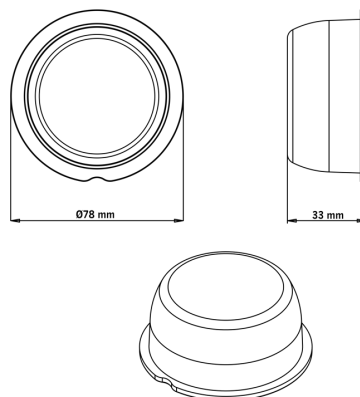


Part No. 800402

VIKING FRONT POSITION LIGHT CLEAR LENS 6 LED,

- ✓ 5 M CABLE
- ✓ E-APPROVED
- ✓ IP68



VIKING FRONT POSITION LIGHT CLEAR LENS 6 LED, 5M CABLE

10-32V | 5M CABLE

The Viking front position light with 6 LED is a reliable and energy-efficient solution, delivering E-approved performance (R7, R10), IP66/68 protection, and low power consumption of...

[Read more](#)



Voltage (DC)	10-32 V DC
Consumption	0.9 W
Functions	Front marker
Color temperature	5000 K
Connection	Cable
Cable length	5000 mm
Color lens	Clear
Color LED's	White

Material housing/chassi	Polycarbonate
Material lens	Polycarbonate
Depth	33 mm
IP-class	IP66/68
Operating temperature	-35 · +45 °C
E-approved	Yes
ECE approval	R10.05, R7