

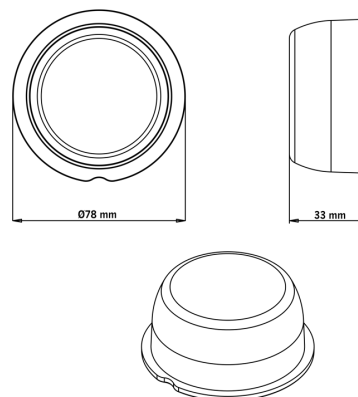
Part No. 800401005

VIKING REAR POSITION LIGHT RED LENS 6 LED,

✓ R7/R10

✓ IP68

✓ 10-32V



VIKING REAR POSITION LIGHT RED LENS 6 LED, 0.5M CABLE

10-32V | 0,5M CABLE

The Viking rear position light 6 LED is a dependable lighting solution designed for clear rear visibility, delivering E-approved performance (R7, R10) and IP66/68 protection for reliable use in demanding conditions.

[Read more](#)



Voltage (DC)	10-32 V DC
Consumption	1 W
Functions	Rear marker
Connection	Cable
Cable length	500 mm
Color lens	Red
Color LED's	Red

Material housing/chassi	Polycarbonate
Material lens	Polycarbonate
Depth	33 mm
Operating temperature	-40 - +40 °C
E-approved	Yes
ECE approval	R10.05, R7

Material housing/chassi	Polycarbonate
Material lens	Polycarbonate
Depth	33 mm
Operating temperature	-40 - +40 °C
E-approved	Yes
ECE approval	R10.05, R7