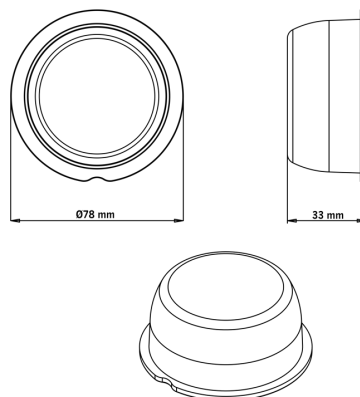
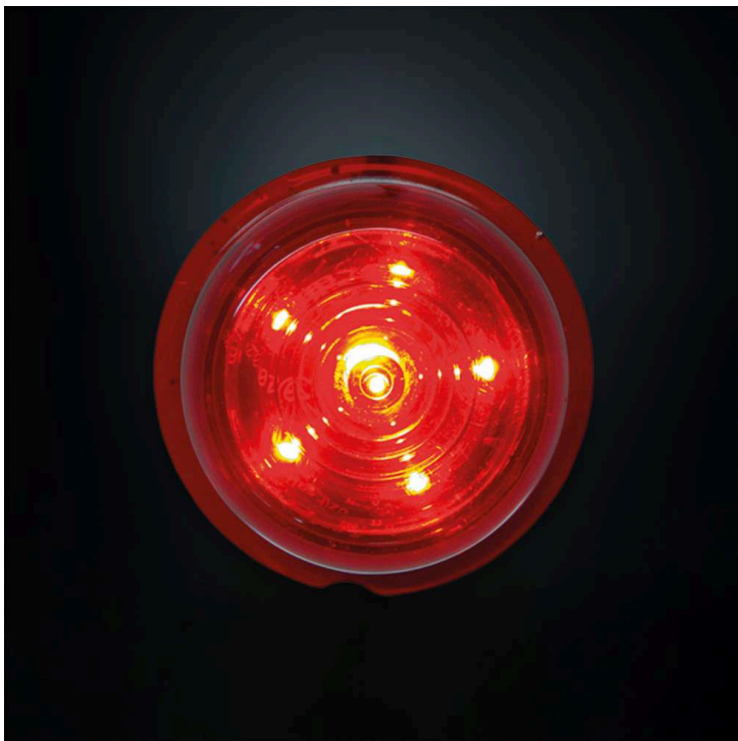


Part No. 800401

VIKING REAR POSITION LIGHT RED LENS 6 LED,

- ✓ 5 M CABLE
- ✓ E-APPROVED
- ✓ IP68



VIKING REAR POSITION LIGHT RED LENS 6 LED, 5M CABLE

10-32V | 5M CABLE

The Viking rear position light 6 LED is a dependable lighting solution designed for clear rear visibility, delivering E-approved performance (R7, R10) and IP66/68 protection for reliable use in demanding conditions.

[Read more](#)



Voltage (DC)	10-32 V DC	Material housing/chassi	Polycarbonate
Consumption	1 W	Material lens	Polycarbonate
Functions	Rear marker	Depth	33 mm
Connection	Cable	IP-class	IP66/68
Cable length	5000 mm	Operating temperature	-35 · +45 °C
Color lens	Red	E-approved	Yes
Color LED's	Red	ECE approval	R10.05, R7