

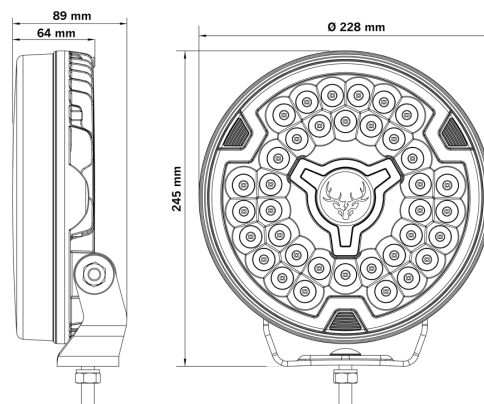
Part No. 270935

FREEDOM MAXIMUM POSITION LIGHT 9" DARK

✓ E-APPROVED

✓ IP69K

✓ +400 M

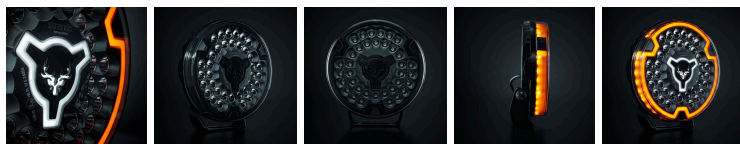
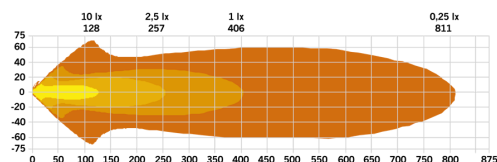


FREEDOM MAXIMUM POSITION LIGHT 9" DARK

WHITE / AMBER POS. | OPTIMIZED BEAM

Enhance your style to the max. The Freedom Maximum Position driving light 9" is full of brightness and personality and has a dark position light.

[Read more](#)



| | |
|-------------------------------|--|
| Voltage (DC) | 12-24 V DC |
| Consumption | 115 W |
| Functions | Side marker, Front marker, Driving beam |
| Consumption specific function | Driving 115W, Front marker 3.5W, Side marker 10W |
| Actual lumen | 13400 lm |
| 1 lux @ | 406 m |
| Color temperature | 5700 K |
| Beam pattern | Optimized beam |
| Connection | Cable |
| Cable length | 3000 mm |

| | |
|--------------------------|--------------------|
| Color LED's | White Amber |
| Material housing/chassi | Aluminium |
| Material lens | Polycarbonate |
| Depth | 64 mm |
| Height including bracket | 245 mm |
| IP-class | IP69K |
| Operating temperature | -40 · +40 °C |
| E-approved | Yes |
| ECE approval | R10.06, R148, R149 |
| Reference number | 37.5 |