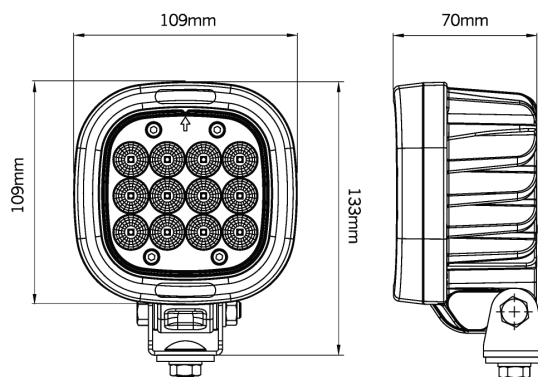


Part No. 908539

# PRESIDENT WORK LIGHT 2.0 51W

- ✓ DT2-PIN
- ✓ IP6K9K
- ✓ 1 LUX @98 M

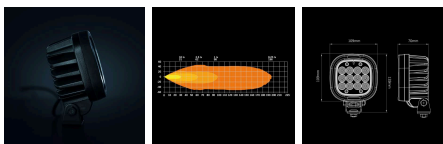
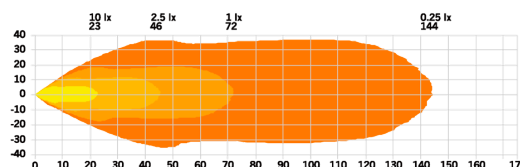


## PRESIDENT WORK LIGHT 2.0 51W

10-70V | WIDE BEAM

The President work light 2.0 51W is built for professionals who need uncompromising brightness and dependable performance in demanding working conditions.

[Read more](#)



|                   |                    |
|-------------------|--------------------|
| Voltage (DC)      | 10-70 V DC         |
| Consumption       | 51 W               |
| Functions         | work light         |
| Actual lumen      | 6320 lm            |
| 1 lux @           | 98 m               |
| Color temperature | 5700 K             |
| Beam pattern      | wide beam          |
| Connection        | DT-2PIN (Built-in) |
| Cable length      | 2000 mm            |
| Color lens        | Clear              |
| Color LED's       | White              |

|                          |               |
|--------------------------|---------------|
| Material housing/chassi  | Aluminium     |
| Material lens            | Polycarbonate |
| Length                   | 109 mm        |
| Depth                    | 70 mm         |
| Height                   | 109 mm        |
| Height including bracket | 133 mm        |
| IP-class                 | IP6K9K        |
| Operating temperature    | -40 - +40 °C  |
| E-approved               | No            |
| ECE approval             | R10.06        |