

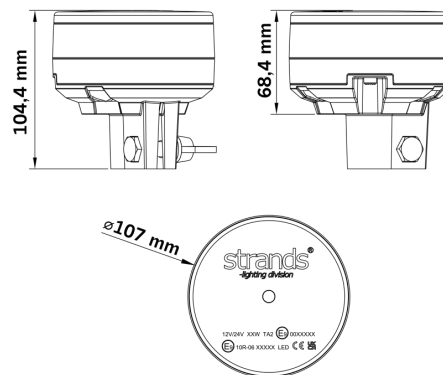
Part No. 905011

# UNITY WARNING LIGHT BEACON 107MM SHORT

✓ CISPR 25

✓ ICAO

✓ R65

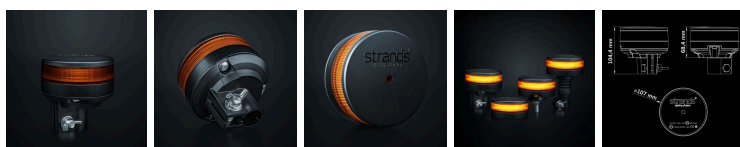


## UNITY WARNING LIGHT BEACON 107MM SHORT POLE MOUNT

AMBER LENS | SHORT POLE | ICAO

Unity rotating warning light combines 21 W power, 8 flash patterns, automatic day/night mode, IP69K protection, and R65 class 2 approval in a durable warning light designed for...

[Read more](#)



<b>Voltage (DC)</b>	12-24 V DC
<b>Consumption</b>	21 W
<b>Functions</b>	Amber warning light, Cruise mode
<b>Connection</b>	Pole mount
<b>Color lens</b>	Amber
<b>Color LED's</b>	Warm white
<b>Material housing/chassi</b>	Base: Aluminium   Top: Plastic

<b>Material lens</b>	Polycarbonate
<b>Height</b>	104.4 mm
<b>IP-class</b>	IP69K
<b>Operating temperature</b>	-30 - +60 °C
<b>E-approved</b>	Yes
<b>ECE approval</b>	R10.06, R65 Class 2
<b>Other approval</b>	ICAO, CISPR25 Class 3