

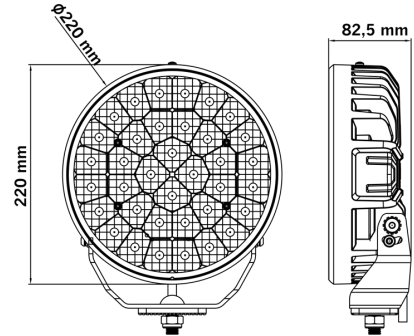
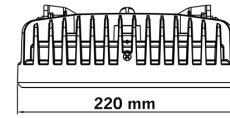
Part No. 901035

# BIG ENERGY RAW DRIVING LIGHT 9"

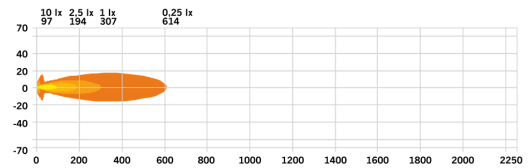
✓ 13000 LM

✓ IP69K

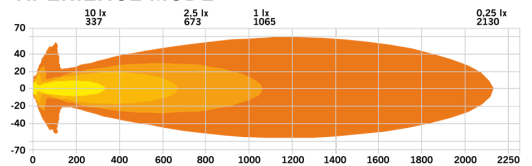
✓ DT2-PIN



## E-MODE



## XPERIENCE MODE

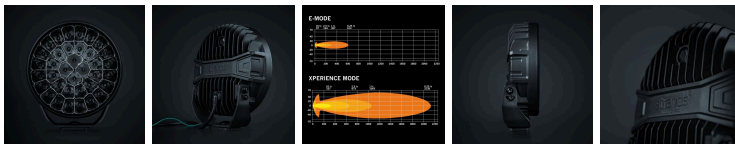


## BIG ENERGY RAW DRIVING LIGHT 9"

147W | FITS 901036/901037 LENS COVER

Big Energy RAW 9" driving light delivers 13,000 actual lumens in Xperience mode with a beam distance of more than 1 km @ 1 lux, a 5700 K color temperature, and dual...

[Read more](#)



Voltage (DC)	10-32 V DC
Consumption	147 W
Functions	Driving beam
Consumption specific function	X-mode 147W, E-mode 11W
Actual lumen	13050 lm
1 lux @	1065 m
Color temperature	5700 K
Beam pattern	Long-distance beam
Connection	DT-2PIN
Cable length	550 mm

Color LED's	White
Material housing/chassi	Aluminium
Material lens	Polycarbonate
Depth	82.5 mm
Height including bracket	251 mm
IP-class	IP69K
Operating temperature	-40 · +60 °C
E-approved	Yes
ECE approval	R149, R10.07
Reference number	20