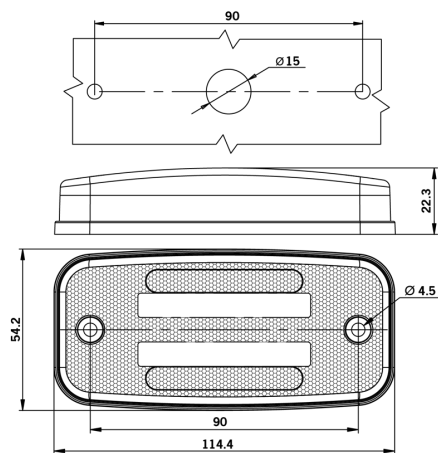


Part No. 900529

FREEDOM ADR TWO LINE REAR POSITION LIGHT



FREEDOM ADR TWO LINE REAR POSITION LIGHT

10-32 V | IP69K

[Read more](#)



Voltage (DC)	10-32 V DC	Length	114.4 mm
Consumption	1.8 W	Depth	22.3 mm
Functions	Rear marker	Height	54.2 mm
Connection	Cable	IP-class	IP69K
Cable length	220 mm	Operating temperature	-35 · +45 °C
Color lens	Red	E-approved	Yes
Color LED's	Amber	ECE approval	R3, R10.05, R7
Material housing/chassi	ABS	ADR-approved	Yes
Material lens	PMMA		