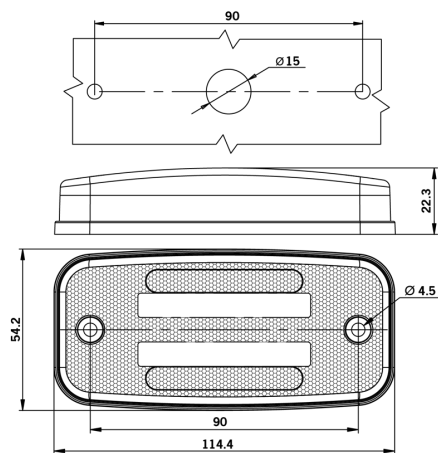


Part No. 900528

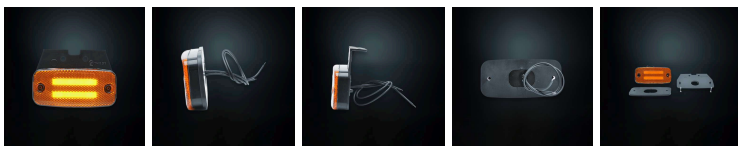
# FREEDOM ADR TWO LINE SIDE MARKER



## FREEDOM ADR TWO LINE SIDE MARKER

10-32 V | IP69K

[Read more](#)



<b>Voltage (DC)</b>	10-32 V DC	<b>Length</b>	114.4 mm
<b>Consumption</b>	2.4 W	<b>Depth</b>	22.3 mm
<b>Functions</b>	Side marker	<b>Height</b>	54.2 mm
<b>Connection</b>	Cable	<b>IP-class</b>	IP69K
<b>Cable length</b>	220 mm	<b>Operating temperature</b>	-35 · +45 °C
<b>Color lens</b>	Amber	<b>E-approved</b>	Yes
<b>Color LED's</b>	Warm white	<b>ECE approval</b>	R3, R10.05, R91
<b>Material housing/chassi</b>	ABS	<b>ADR-approved</b>	Yes
<b>Material lens</b>	PMMA		