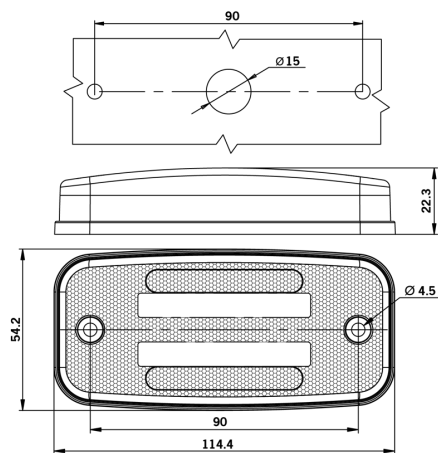


Part No. 900527

FREEDOM ADR TWO LINE FRONT POSITION LIGHT



FREEDOM ADR TWO LINE FRONT POSITION LIGHT

10-32 V | IP69K

[Read more](#)



Voltage (DC)	10-32 V DC	Material lens	PMMA
Consumption	2.4 W	Length	114.4 mm
Functions	Front marker	Depth	22.3 mm
Actual lumen	40 lm	Height	54.2 mm
Connection	Cable	IP-class	IP69K
Cable length	220 mm	Operating temperature	-35 · +45 °C
Color lens	White	E-approved	Yes
Color LED's	Cool White	ECE approval	R3, R10.05, R7
Material housing/chassi	ABS	ADR-approved	Yes