

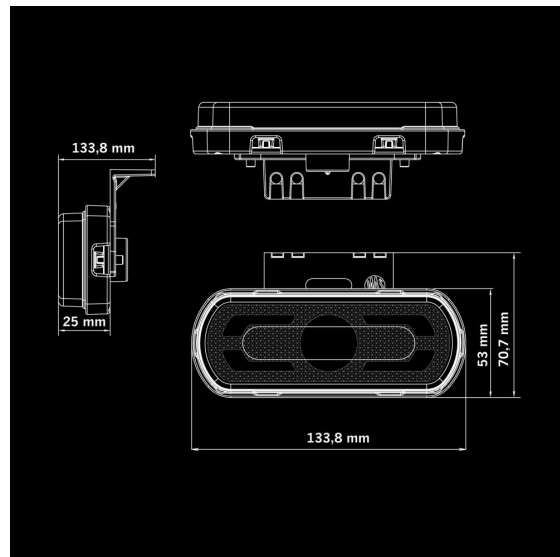
Part No. 900034

# FREEDOM GROUND LINE SIDE MARKER

✓ E-APPROVED

✓ IP6K9K

✓ LOGO



## FREEDOM GROUND LINE SIDE MARKER WITH INDICATOR POSITION LIGHT

10-32V | 0.5M CABLE

Discover a distinctive lighting solution designed for drivers who want to stand out while maintaining reliable performance, covered by Strands' 5-year warranty.

[Read more](#)



|                                      |                                  |
|--------------------------------------|----------------------------------|
| <b>Voltage (DC)</b>                  | 10-32 V DC                       |
| <b>Consumption</b>                   | 4.4 W                            |
| <b>Functions</b>                     | Side marker, Indicator           |
| <b>Consumption specific function</b> | Side marker 4.4W, Indicator 4.4W |
| <b>Connection</b>                    | Cable                            |
| <b>Cable length</b>                  | 500 mm                           |
| <b>Color lens</b>                    | Amber                            |
| <b>Color LED's</b>                   | Warm white                       |
| <b>Material housing/chassi</b>       | Polypropylene                    |
| <b>Material lens</b>                 | PMMA                             |

|                                 |                    |
|---------------------------------|--------------------|
| <b>Length</b>                   | 133.8 mm           |
| <b>Depth</b>                    | 47 mm              |
| <b>Height</b>                   | 53 mm              |
| <b>Height including bracket</b> | 70.7 mm            |
| <b>CC</b>                       | 30.5 mm            |
| <b>IP-class</b>                 | IP6K9K             |
| <b>Operating temperature</b>    | -40 · +40 °C       |
| <b>E-approved</b>               | Yes                |
| <b>ECE approval</b>             | R10.06, R148, R149 |