

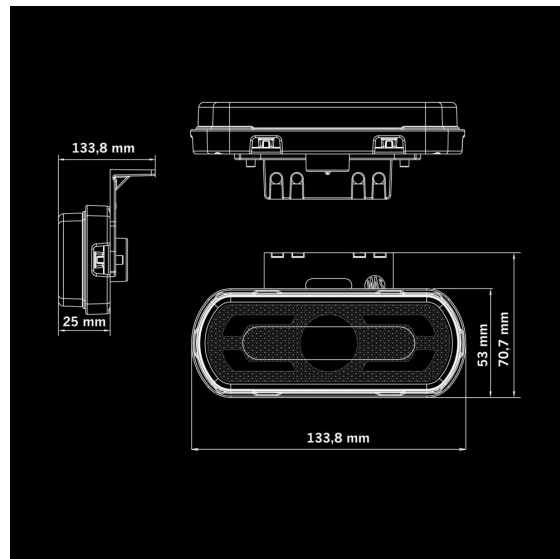
Part No. 900033

# FREEDOM GROUND LINE SIDE MARKER

✓ E-APPROVED

✓ IP6K9K

✓ LOGO



## FREEDOM GROUND LINE SIDE MARKER

10-32V | 0.5M CABLE

Discover a distinctive lighting solution designed for drivers who want to stand out while maintaining reliable performance. The Freedom Ground-line side marker light delivers a bold, customizable design combined with efficient performance...

[Read more](#)



Voltage (DC)	10-32 V DC	Length	133.8 mm
Consumption	4.4 W	Depth	47 mm
Functions	Side marker	Height	53 mm
Connection	Cable	Height including bracket	70.7 mm
Cable length	500 mm	CC	30.5 mm
Color lens	Amber	IP-class	IP6K9K
Color LED's	Warm white	Operating temperature	-40 · +40 °C
Material housing/chassi	Polypropylene	E-approved	Yes
Material lens	PMMA	ECE approval	R10.06, R148, R149