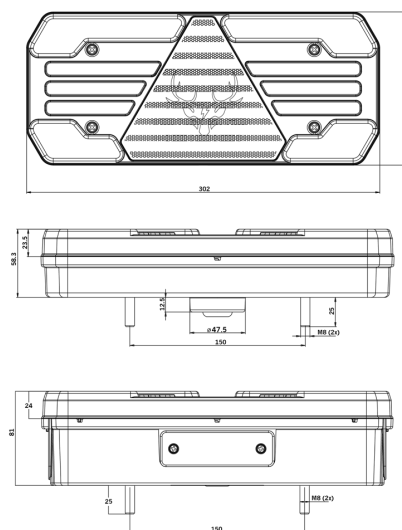
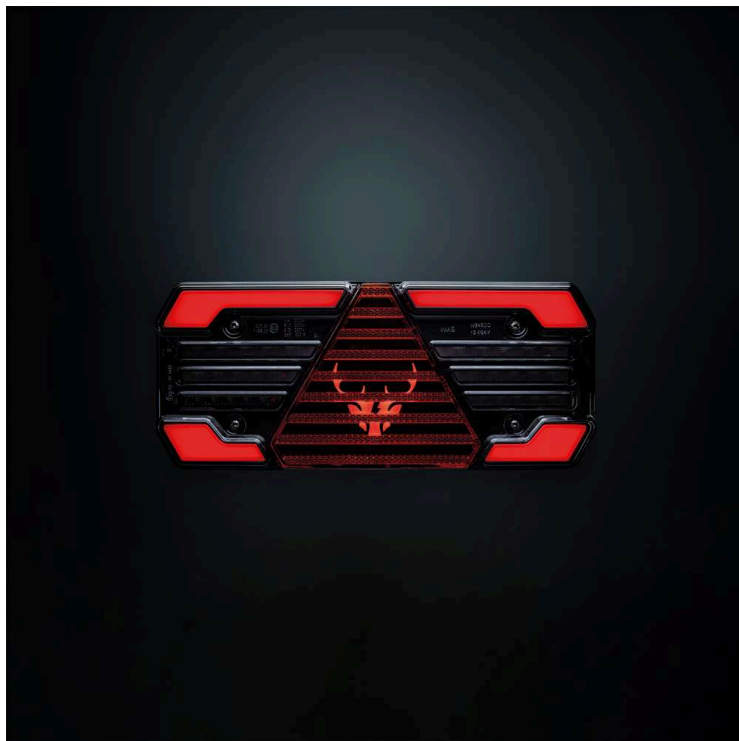


Part No. 900011

FREEDOM 4 FUNC. TAIL LIGHT LEFT FOR TRAILER

- ✓ IP6K9K
- ✓ 2 M CABLE
- ✓ 150 MM CC



FREEDOM 4 FUNC. TAIL LIGHT LEFT FOR TRAILER

TAIL / BRAKE / IND / REV | 2M CABLE

The Freedom 4 function taillight for trailers is designed for drivers and fleet owners who need dependable rear lighting. Designed for 10–32V DC systems, it features 38W consumption, IP6K9K protection, 150mm CC...

[Read more](#)



Voltage (DC)	10-32 V DC
Consumption	38 W
Functions	Indicator, Reverse light, Brake light, Tail light
Consumption specific function	Tail 5.5W, Reverse 6W, Indicator 21W, Brake 5W
Connection	Cable
Cable length	2000 mm
Color lens	Dark
Color LED's	White Red Amber
Material housing/chassi	Polypropylene

Material lens	PMMA
Length	302 mm
Depth	58.3 mm
Height	131 mm
CC	150 mm
IP-class	IP6K9K
Operating temperature	-40 · +40 °C
E-approved	Yes
ECE approval	R10.06, R148, R149