

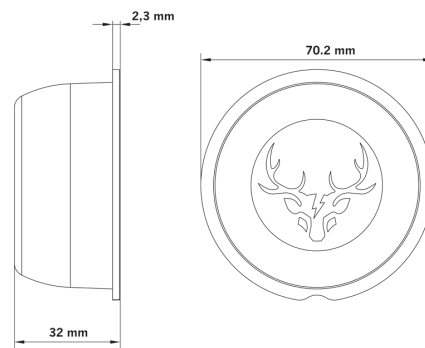
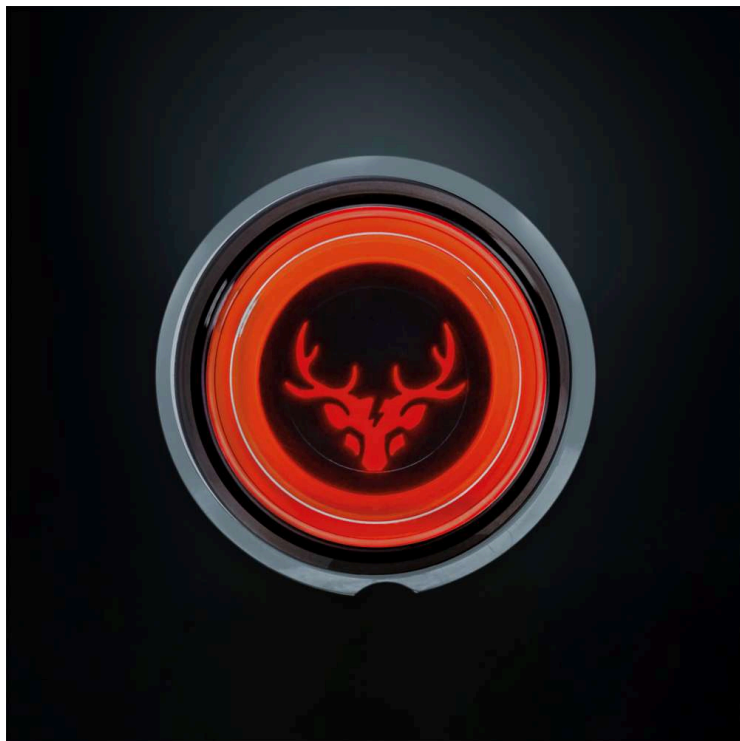
Part No. 830401

FREEDOM VIKING REAR POSITION LIGHT 12 LED

✓ 5 M CABLE

✓ IP69K

✓ E-APPROVED

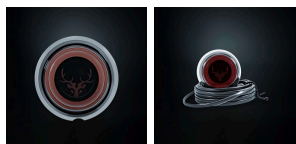


FREEDOM VIKING REAR POSITION LIGHT 12 LED

10-32V | 5M CABLE

The Freedom Viking rear position light delivers reliable rear visibility with a compact 12 LED design, combining E-approved performance (R148, R10), IP68/69K protection, and compatibility with 10–32 V DC systems.

[Read more](#)



Voltage (DC)	10-32 V DC
Consumption	1.7 W
Functions	Rear marker
Connection	Cable
Cable length	5000 mm
Color lens	Outer: Clear Inner: Dark
Color LED's	Red

Material housing/chassi	Polycarbonate
Material lens	Polycarbonate
Height	32 mm
IP-class	IP68/69K
Operating temperature	-40 · +40 °C
E-approved	Yes
ECE approval	R10.06, R148