

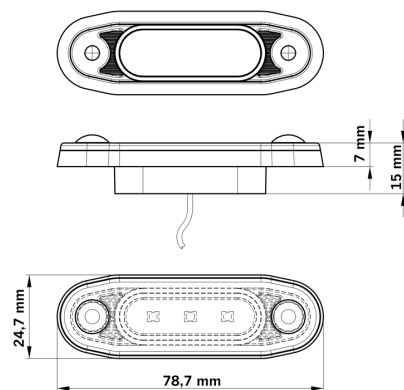
Part No. 810023

# FREEDOM LEGACY FRONT POSITION LIGHT

✓ E-APPROVED

✓ IP68

✓ 5 M CABLE



## FREEDOM LEGACY FRONT POSITION LIGHT

10-32V | 5M CABLE

The 810020 series is developed for drivers who want a front marker light that is easier to install without compromising on durability or performance.

[Read more](#)



<b>Voltage (DC)</b>	10-32 V DC	<b>Length</b>	79 mm
<b>Consumption</b>	0.5 W	<b>Depth</b>	15 mm
<b>Functions</b>	Front marker	<b>Height</b>	24.7 mm
<b>Connection</b>	Cable	<b>CC</b>	58 mm
<b>Cable length</b>	5000 mm	<b>IP-class</b>	IP66/68
<b>Color lens</b>	Clear	<b>Operating temperature</b>	-35 - +45 °C
<b>Color LED's</b>	White	<b>E-approved</b>	Yes
<b>Material housing/chassi</b>	Polycarbonate	<b>ECE approval</b>	R7, R10
<b>Material lens</b>	Polycarbonate		