

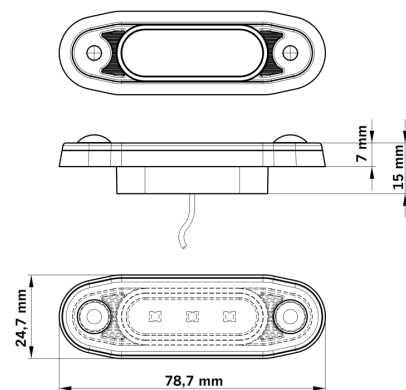
Part No. 810022

FREEDOM LEGACY SIDE MARKER 3 LED SLIM 79MM

✓ E-APPROVED

✓ IP68

✓ 5 M CABLE



FREEDOM LEGACY SIDE MARKER 3 LED SLIM 79MM

10-32V | 5M CABLE

The 810020 series side marker light delivers efficient performance at just 0.5W, operates on 10–32V DC systems, and is fully E-approved (ECE R91, R10) with a durable IP66/68 rating, making it ideal...

[Read more](#)



Voltage (DC)	10-32 V DC	Length	79 mm
Consumption	0.5 W	Depth	15 mm
Functions	Side marker	Height	24.7 mm
Connection	Cable	CC	58 mm
Cable length	5000 mm	IP-class	IP66/68
Color lens	Amber	Operating temperature	-35 - +45 °C
Color LED's	White	E-approved	Yes
Material housing/chassi	Polycarbonate	ECE approval	R91, R10
Material lens	Polycarbonate		