

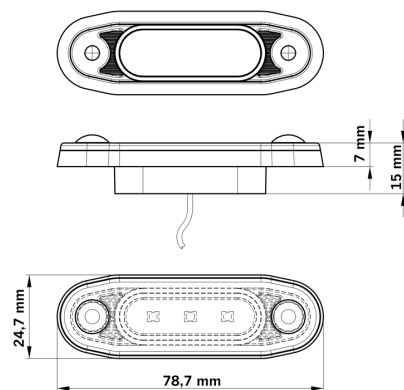
Part No. 810021

FREEDOM LEGACY SIDE MARKER 3 LED SLIM

✓ E-APPROVED

✓ IP68

✓ 5 M CABLE

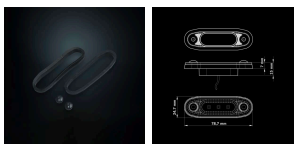


FREEDOM LEGACY SIDE MARKER 3 LED SLIM CLEAR LENS

10-32V | 5M CABLE

The 810020 series is developed for drivers who want a side marker light that is easier to install without compromising on quality or durability.

[Read more](#)



Voltage (DC)	10-32 V DC	Length	79 mm
Consumption	0.5 W	Depth	15 mm
Functions	Side marker	Height	24.7 mm
Connection	Cable	CC	58 mm
Cable length	5000 mm	IP-class	IP66/68
Color lens	Clear	Operating temperature	-35 - +45 °C
Color LED's	Amber	E-approved	Yes
Material housing/chassi	Polycarbonate	ECE approval	R91, R10
Material lens	Polycarbonate		