

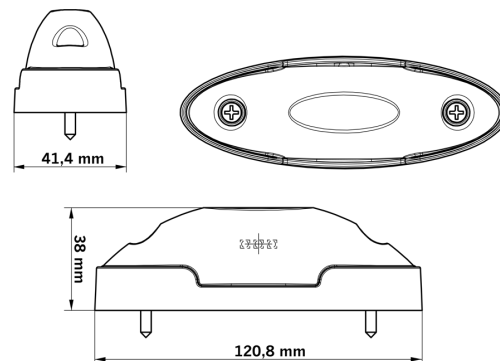
Part No. 800818

FREEDOM LEGACY WIDE MARKER WHITE/RED

✓ E-APPROVED

✓ IP68

✓ 5-YEAR WARRANTY



FREEDOM LEGACY WIDE MARKER WHITE/RED POSITION LIGHT

10-32V | IP66/68

The Freedom Legacy wide marker white/red position light is a versatile, dual-function light, powered by 10–32V DC. Designed with both white and red position light functions in one unit, it...

[Read more](#)



Voltage (DC)	10-32 V DC
Consumption	0.5 W
Functions	White pos., Red pos.
Consumption specific function	White 0.3W, Red 0.4W
Connection	Cable
Cable length	360 mm
Color lens	Clear
Color LED's	White
Material housing/chassi	Polycarbonate

Material lens	Polycarbonate
Length	38 mm
Depth	65 mm
Height	150 mm
CC	41 mm
IP-class	IP66/68
Operating temperature	-35 - +45 °C
E-approved	Yes
ECE approval	R10.05, R7