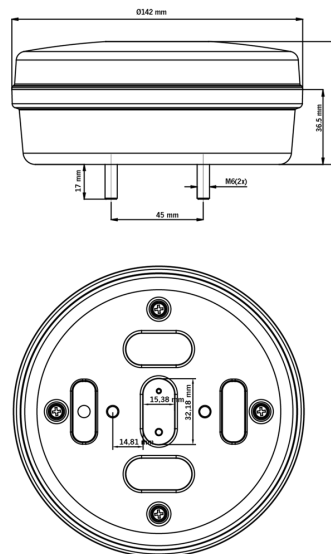
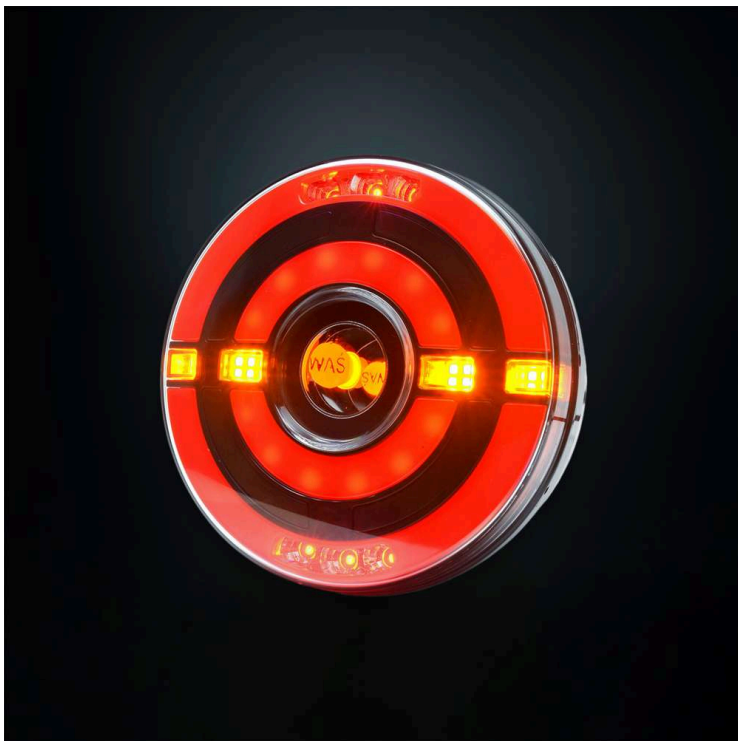


Part No. 800550

FREEDOM LEGACY 3 FUNC. TAIL LIGHT ROUND,

- ✓ IP69K
- ✓ 10W
- ✓ R6/R7/R10



FREEDOM LEGACY 3 FUNC. TAIL LIGHT ROUND, INDICATOR

TAIL/INDICATOR/BRAKE | 2M CABLE

The Freedom Legacy 3 function round taillight with indicator combines tail light, brake light, and indicator in one distinctive round LED light with concentric circles.

[Read more](#)



Voltage (DC)	10-32 V DC
Consumption	10 W
Functions	Indicator, Brake light, Tail light
Consumption specific function	Brake 2W, Tail 1.8W, Indicator 5.3W
Connection	Cable
Cable length	2000 mm
Color lens	Clear
Color LED's	Warm White Red Amber

Material housing/chassi	ABS
Material lens	Polycarbonate
Depth	60 mm
CC	45 mm
IP-class	IP69K
Operating temperature	-40 · +40 °C
E-approved	Yes
ECE approval	R10.05, R7, R6