

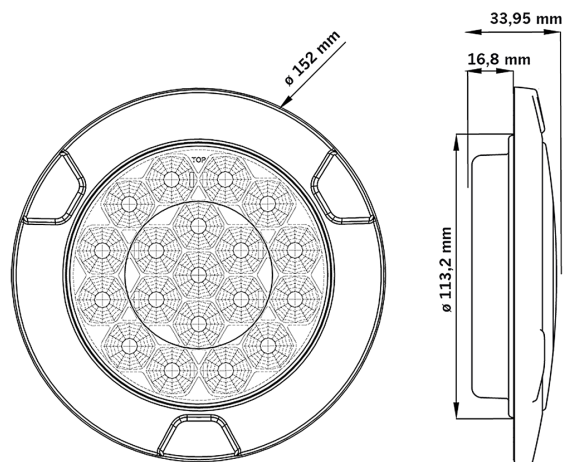
Part No. 800511

# FREEDOM BLACK RAVEN 3 FUNC. TAIL LIGHT

✓ IP6K9K

✓ 9W

✓ R148 Y-APPROVED



## FREEDOM BLACK RAVEN 3 FUNC. TAIL LIGHT ROUND 152MM

TAIL/INDICATOR/BRAKE | 2M CABLE

The Freedom Black Raven 3 function taillight combines tail, brake, and indicator functions in a distinctive round LED design inspired by the signature dark styling of Strands Lighting Division.

[Read more](#)



Voltage (DC)	10-32 V DC
Consumption	9 W
Functions	Indicator, Brake light, Tail light
Consumption specific function	Brake 2W, Tail 0.15W, Indicator 2.2W
Connection	Cable
Cable length	2000 mm
Color lens	Dark
Color LED's	Red   Amber

Material housing/chassi	ABS
Material lens	PMMA
Depth	34 mm
CC	117 mm
IP-class	IP6K9K
Operating temperature	-40 · +40 °C
E-approved	Yes
ECE approval	R10.05, R148 Y