

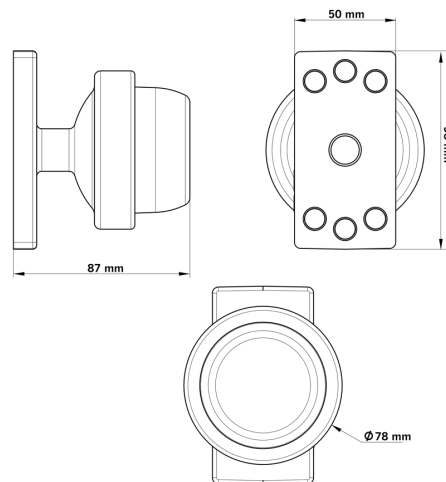
Part No. 800422-2

VIKING SIDE MARKER WITH RUBBER ARM CONE

✓ ECE R10/R91

✓ IP68

✓ 0.9W

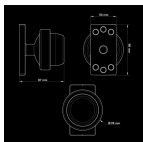


VIKING SIDE MARKER WITH RUBBER ARM CONE

10-32V | 2M CABLE

The Viking side marker with rubber arm cone is a compact and durable lighting solution for professional vehicle visibility, designed for 10–32V DC systems with low 0.9W power consumption, IP66/68 protection, 68...

[Read more](#)



| | | | |
|--------------------------------|---------------|------------------------------|---------------|
| Voltage (DC) | 10-32 V DC | Material lens | Polycarbonate |
| Consumption | 0.9 W | Length | 87 mm |
| Functions | Side marker | Depth | 50 mm |
| Connection | Cable | Height | 78 mm |
| Cable length | 2000 mm | CC | 68 mm |
| Color lens | Amber | Operating temperature | -40 · +40 °C |
| Color LED's | White | E-approved | Yes |
| Material housing/chassi | Polycarbonate | ECE approval | R10.05, R91 |