

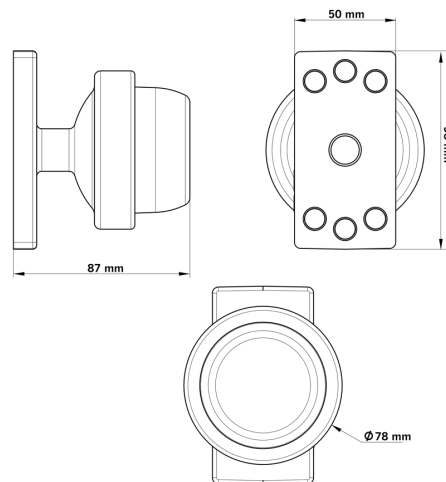
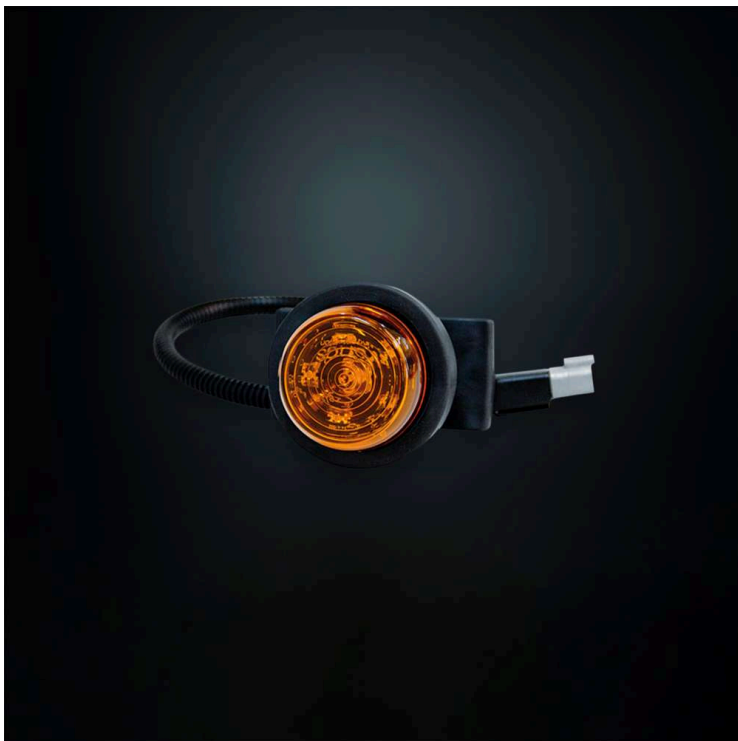
Part No. 800422

VIKING SIDE MARKER WITH COMPLETE RUBBER

✓ R91/R10

✓ DT2-PIN

✓ IP68

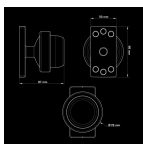


VIKING SIDE MARKER WITH COMPLETE RUBBER ARM CONE

10-32V | DT-2PIN | 0.5M CABLE

The Viking side marker with a complete rubber arm cone is a compact, E-approved lighting solution designed for reliable vehicle visibility.

[Read more](#)



Voltage (DC)	10-32 V DC
Consumption	0.9 W
Functions	Side marker
Connection	DT-2PIN
Cable length	500 mm
Color lens	Amber
Color LED's	White
Material housing/chassi	Polycarbonate
Material lens	Polycarbonate

Length	87 mm
Depth	50 mm
Height	78 mm
CC	68 mm
IP-class	IP66/68
Operating temperature	-35 · +45 °C
E-approved	Yes
ECE approval	R10.05, R91