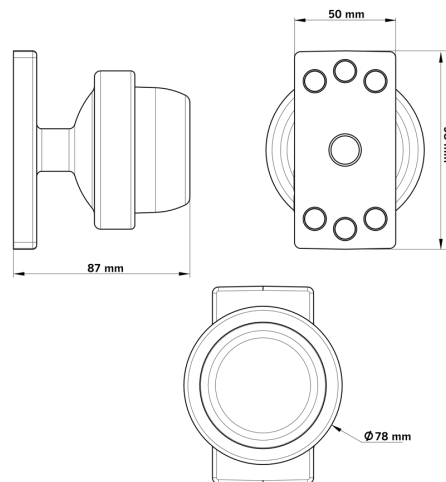


Part No. 800421

# VIKING SIDE MARKER WITH COMPLETE RUBBER

- ✓ R91/R10
- ✓ 1.5 M CABLE
- ✓ IP68

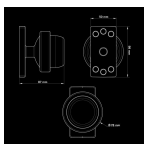


## VIKING SIDE MARKER WITH COMPLETE RUBBER ARM CONE

10-32V | DT-2PIN | 1.5M CABLE

The Viking side marker with a complete rubber arm cone is a durable, E-approved lighting solution designed for professional vehicle applications.

[Read more](#)



<b>Voltage (DC)</b>	10-32 V DC	<b>Length</b>	87 mm
<b>Consumption</b>	1 W	<b>Depth</b>	50 mm
<b>Functions</b>	Side marker	<b>Height</b>	78 mm
<b>Connection</b>	DT-2PIN	<b>CC</b>	68 mm
<b>Cable length</b>	1500 mm	<b>IP-class</b>	IP66/68
<b>Color lens</b>	Amber	<b>Operating temperature</b>	-35 · +45 °C
<b>Color LED's</b>	White	<b>E-approved</b>	Yes
<b>Material housing/chassi</b>	Polycarbonate	<b>ECE approval</b>	R10.05, R91
<b>Material lens</b>	Polycarbonate		