

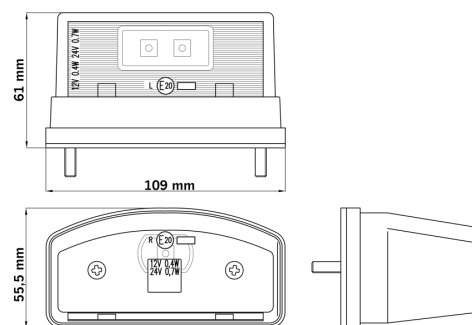
Part No. 800031

FREEDOM LEGACY RECTANGULAR LICENCE

✓ E-APPROVED

✓ IP68

✓ CC 86.5 MM



FREEDOM LEGACY RECTANGULAR LICENCE PLATE LIGHT WHITE LED, RED

10-32V | IP66/68

The Freedom Legacy Rectangular License Plate Light is a robust, dual-function lighting solution designed for reliable plate illumination and rear visibility.

[Read more](#)



Voltage (DC)	10-32 V DC
Consumption	0.7 W
Functions	License plate light
Connection	Cable
Cable length	130 mm
Color lens	Red Clear
Color LED's	White
Material housing/chassi	Polycarbonate
Material lens	Polycarbonate

Length	109 mm
Depth	55.5 mm
Height	61 mm
CC	86.5 mm
IP-class	IP66/68
Operating temperature	-35 - +45 °C
E-approved	Yes
ECE approval	R10.05, R7, R4