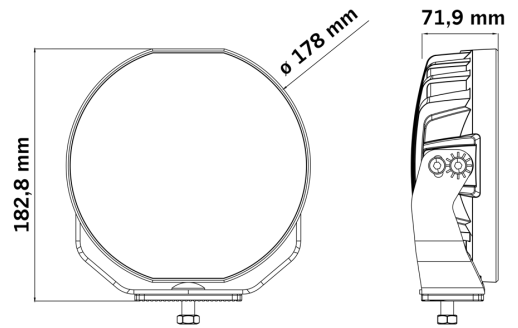


Part No. 270947

SIBERIA SKYLORD DRIVING LIGHT 7"



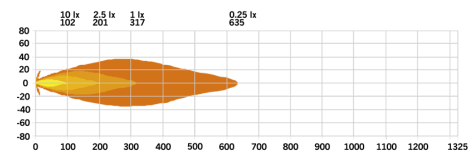
SIBERIA SKYLORD DRIVING LIGHT 7"

WHITE / AMBER POS. | XPERIENCE MODE

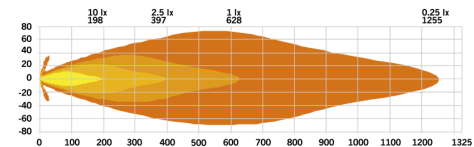
Siberia Skylord 7" is a true masterpiece of engineering and design. Built to withstand even the harshest conditions.

[Read more](#)

E-MODE



XPERIENCE MODE



Voltage (DC)	10-40 V DC
Consumption	79 W
Functions	Amber Pos., White pos., Xperience mode, E-approved mode
Consumption specific function	White pos. 6W, Amber pos. 5W, X-mode 79W, E-mode 22W
Actual lumen	5850 lm
1 lux @	628 m
Color temperature	5700 K
Beam pattern	Extended Beam
Connection	DT-4PIN
Cable length	500 mm
Color lens	Clear
Color LED's	White Amber

Material housing/chassi	Aluminium
Material lens	Polycarbonate
Length	178 mm
Depth	71.9 mm
Height	170.3 mm
Height including bracket	182.8 mm
IP-class	IP68/69K
Operating temperature	-30 · +65 °C
E-approved	Yes
ECE approval	R10.06, R148, R149
Reference number	25
Other approval	CISPR25 Class 3