

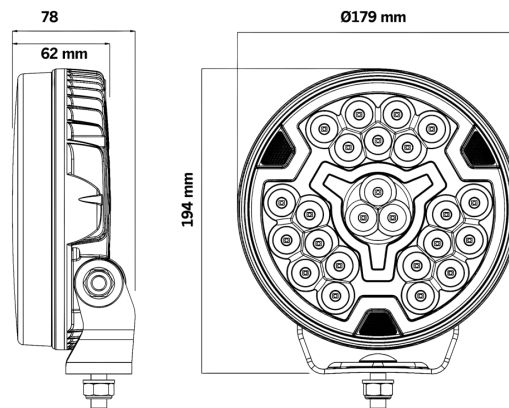
Part No. 270933

FREEDOM MAXIMUM POSITION LIGHT 7" DARK

✓ 1 LUX @ 311 M

✓ IP69K

✓ 5700K

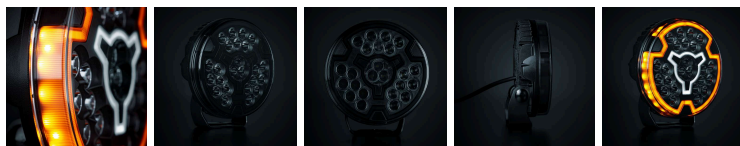
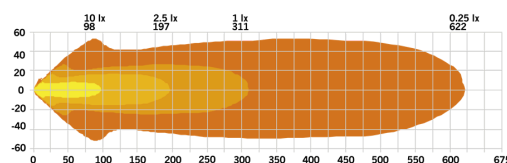


FREEDOM MAXIMUM POSITION LIGHT 7" DARK

WHITE / AMBER POS. | OPTIMIZED BEAM

The Freedom Maximum Position Light 7" Dark is built for drivers who want maximum brightness combined with a distinctive and modern position light design.

[Read more](#)



Voltage (DC)	12-24 V DC
Consumption	110 W
Functions	Side marker, Front marker, Driving beam
Consumption specific function	Driving 110W, Front marker 3W, Side marker 9W
Actual lumen	10000 lm
1 lux @	311 m
Color temperature	5700 K
Beam pattern	Optimized beam
Connection	Cable
Cable length	3000 mm
Color lens	Clear

Color LED's	White Amber
Material housing/chassi	Aluminium
Material lens	Polycarbonate
Depth	62 mm
Height including bracket	194 mm
IP-class	IP69K
Operating temperature	-40 · +40 °C
E-approved	Yes
ECE approval	R10.06, R148, R149
Reference number	20